



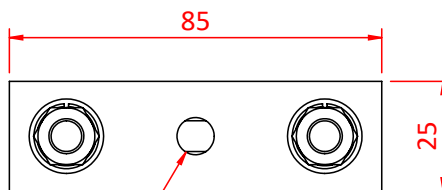
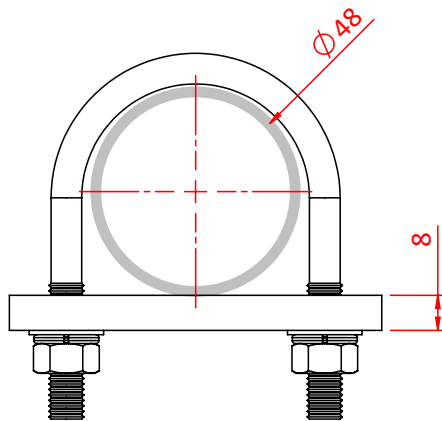
# 'U' Bolt with Threaded Plate

Product Data Sheet



A Steel 'U' bolt with threaded plate	
<b>Part Nos</b>	T33400 - M10 T33500 - M12
<b>Tube Diameter</b>	Ø48mm
<b>Material</b>	S275 Mild Steel Fasteners Grade 8.8
<b>Finish</b>	Zinc Plated
<b>Weight</b>	0.19Kg
<b>WLL</b>	140kg
<b>Factor of Safety</b>	5:1

Dimensions in mm



M10 or M12