



# Hanging Truss Adaptor

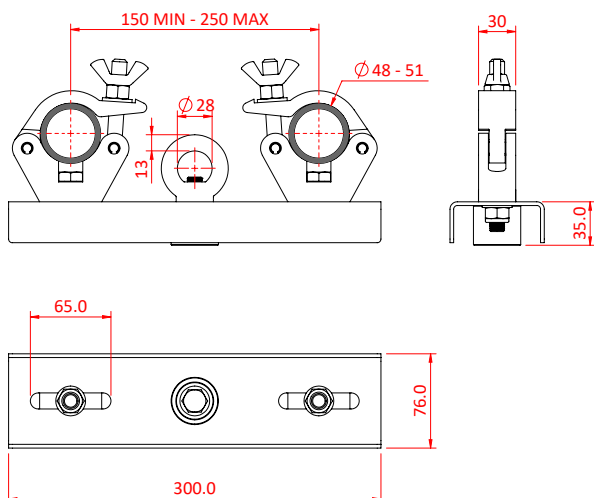
## Product Data Sheet



| A Hanging Truss Adaptor      |  |
|------------------------------|--|
| <b>Part Nos</b>              | T57214 - 150-250mm centres<br>T57219 - 200-400mm centers |
| <b>Tube Diameter</b>         | Ø48-51mm   |
| <b>Material</b>              | S275 Mild Steel<br>Stainless Steel                       |
| <b>Finish</b>                | Polished   |
| <b>Max Tightening Torque</b> | 30Nm   |
| <b>WLL</b>                   | 200Kg  |
| <b>Safety Factor</b>         | 5:1  |

Dimensions in mm

**T57214**



**T57219**

