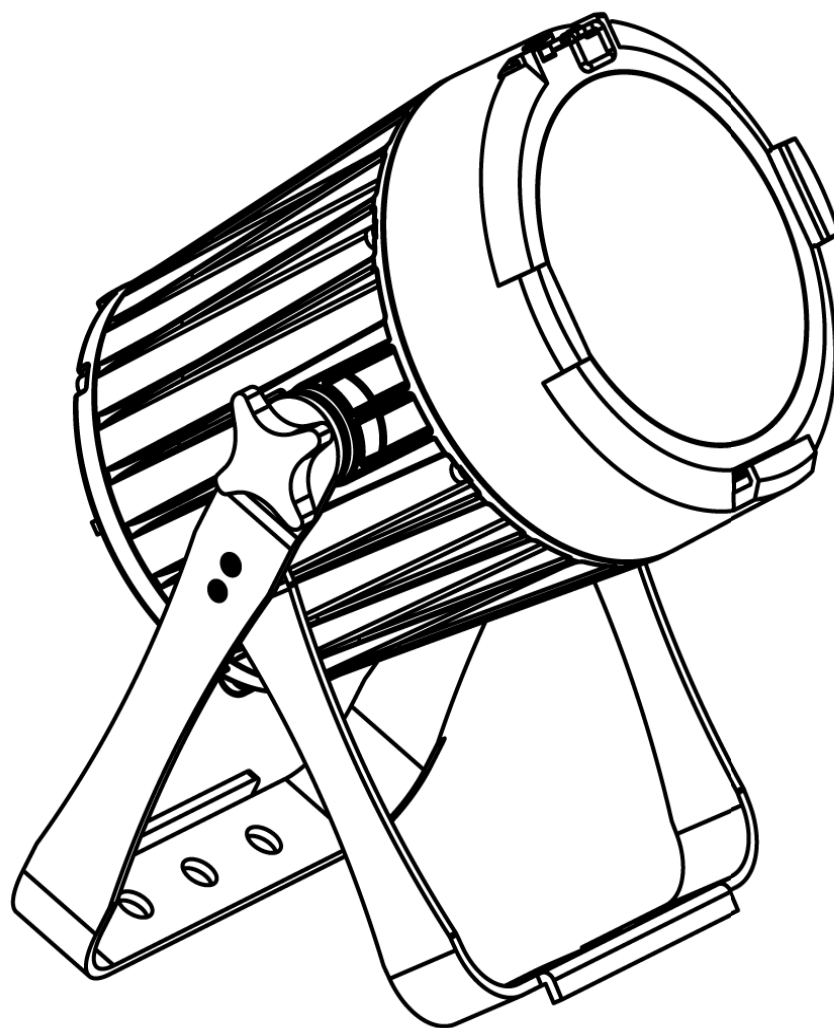


COLORADO 1 SOLO

Quick Reference Guide

English	EN
Español	ES
Français	FR
Nederlands	NL



About This Guide

The COLORado 1 Solo Quick Reference Guide (QRG) has basic product information such as connection, mounting, menu options, and DMX values. Download the User Manual from www.chauvetprofessional.com for more details.

Disclaimer

The information and specifications contained in this QRG are subject to change without notice.

LIMITED WARRANTY

FOR WARRANTY REGISTRATION AND COMPLETE TERMS AND CONDITIONS PLEASE VISIT OUR WEBSITE.

For Customers in the United States and Mexico: www.chauvetlighting.com/warranty-registration

For Customers in the United Kingdom, Republic of Ireland, Belgium, the Netherlands, Luxembourg, France, and Germany: www.chauvetlighting.eu/warranty-registration/

Chauvet warrants that this product shall be free from defects in material and workmanship under normal use, for the period specified in and subject to the exclusions and limitations set forth in, the full limited warranty on our website. This warranty extends only to the original purchaser of the product and is not transferable. To exercise rights under this warranty, you must provide proof of purchase in the form of an original sales receipt from an authorized dealer that shows the product name and date of purchase. THERE ARE NO OTHER EXPRESS OR IMPLIED WARRANTIES. This warranty gives you specific legal rights. You may also have other rights that vary from state to state and country to country. This warranty is valid only in the United States, United Kingdom, Republic of Ireland, Belgium, the Netherlands, Luxembourg, France, Germany and Mexico. For warranty terms in other countries, please consult your local distributor.

Safety Notes

- DO NOT open this product. It contains no user-serviceable parts.
- To eliminate unnecessary wear and improve its lifespan, during periods of non-use completely disconnect the product from power via breaker or by unplugging it.
- DO NOT look at the light source when the product is on.
- CAUTION: This product's housing may be hot when lights are operating. Mount this product in a location with adequate ventilation, at least 20 in (50 cm) from adjacent surfaces.
- DO NOT leave any flammable material within 50 cm of this product while operating or connected to power.
- CAUTION: When transferring product from extreme temperature environments, (e.g., cold truck to warm humid ballroom) condensation may form on the internal electronics of the product. To avoid causing a failure, allow product to fully acclimate to the surrounding environment before connecting it to power.
- Not for permanent outdoor installation in locations with extreme environmental conditions. This includes, but is not limited to:
 - Exposure to a marine/saline environment (within 3 miles of a saltwater body).
 - Where the normal high or low temperatures of the location exceed the temperature ranges in this manual.
 - Locations that are prone to flooding or being buried in snow.
 - Other areas where the product will be subject to extreme radiation or caustic substances.
- USE a safety cable when mounting this product overhead.
- DO NOT submerge this product (IP65). Regular outdoor operation is fine.
- DO NOT operate this product if the housing, lenses, or cables appear damaged.
- DO NOT connect this product to a dimmer or rheostat.
- ONLY connect this product to a grounded and protected circuit.
- ONLY use the hanging/mounting bracket to carry this product.
- In the event of a serious operating problem, stop using immediately.
- The maximum ambient temperature is 113 °F (45 °C). Do not operate this product at higher temperatures.

FCC Compliance

This device complies with Part 15 Part B of the FCC Rules. Operation is subject to the following two conditions:

1. This device may not cause harmful interference, and
2. This device must accept any interference received, including interference that may cause undesired operation.

Any changes or modifications not expressly approved by the party responsible for compliance could void the user's authority to operate the equipment.

Contact

Outside the U.S., U.K., Ireland, Benelux, France, Germany, or Mexico, contact your distributor to request support or return a product. Visit [Contact Us](#) at the end of this QRG for contact information.

What is Included

- COLORado 1 Solo
- Seetronic Powerkon IP65 power cord
- Quick Reference Guide

AC Power

This product has an auto-ranging power supply that can work with an input voltage range of 100–240 VAC, 50/60 Hz.

Power Linking

You can link up to 24 COLORado 1 Solo products at 120 VAC, 40 products at 208 VAC, or 45 at 230 VAC. Never exceed this number. Power linking cords can be purchased separately.

AC Plug

Connection	Wire (U.S.)	Wire (Europe)	Screw Color
AC Live	Black	Brown	Yellow/Brass
AC Neutral	White	Blue	Silver
AC Ground	Green/Yellow	Green/Yellow	Green



- To eliminate unnecessary wear and improve its lifespan, during periods of non-use completely disconnect the product from power via breaker or by unplugging it.
- When using this product in an outdoor IP65 type environment, be sure to use IP65 (or higher) rated power cables and secure unused ports with attached IP65 covers.

DMX Linking

The COLORado 1 Solo will work with a DMX controller using a 3- or 5-pin DMX serial connection. A DMX Primer is available from www.chauvetprofessional.com.

DMX Connection

The COLORado 1 Solo uses a 3- or 5-pin DMX data connection for its DMX personalities: **STD.Y**, **TOUR**, **TR16**, **SSP** and **HSIC**. See the User Manual for information about connecting and configuring the product for DMX operation.



When using this product in an outdoor IP65 type environment, be sure to use IP65 (or higher) rated data cables and secure unused ports with attached IP65 covers.



Note: For optimum control of the 16-bit dimming channels in the TR16 and STD.Y personalities, be sure that both dimming curves in **SETTING > DIMMER** are set to **OFF**

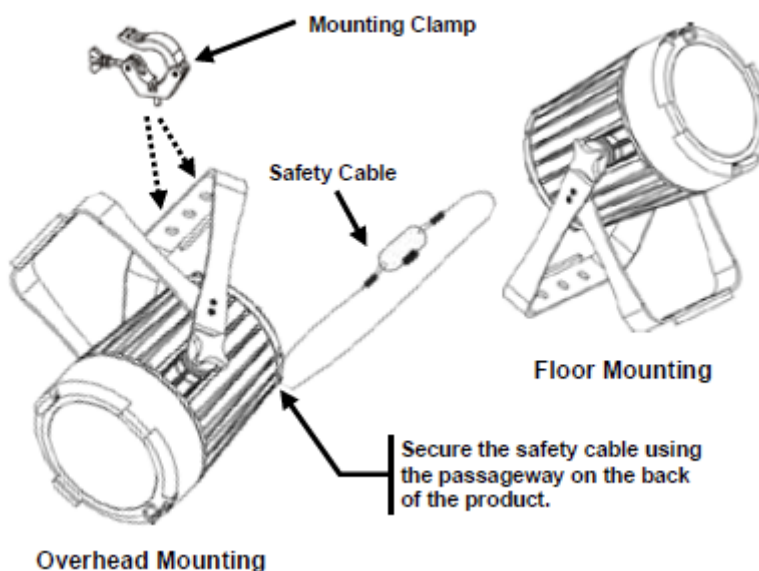
Master/Slave Connection

The COLORado 1 Solo uses the DMX data connection for its Master/Slave mode. See the User Manual for information about how to connect and configure the product for master/slave operation.

Mounting

Before mounting this product, read the [Safety Notes](#). Use at least one mounting point per product. Make sure the mounting clamps are capable of supporting the weight of the product. For our Chauvet line of mounting clamps, go to <http://trusst.com/productcategory/truss-clamps/>

Product Mounting Diagram



Control Panel Description

Button	Function
<MENU>	Exits from the current menu or function
<ENTER>	Enables the currently displayed menu or sets the currently selected value into the selected function
<UP>	Navigates upwards through the menu list or increases the numeric value when in a function
<DOWN>	Navigates downwards through the menu list or decreases the numeric value when in a function

Passcode

After being prompted, enter the following passcode by pressing:

<UP>, <DOWN>, <UP>, <DOWN>, <ENTER>

This passcode cannot be changed and must be used whenever prompted.

Menu Map

Refer to the COLORado 1 Solo product page on www.chauvetprofessional.com for the latest menu map.

Main Level	Programming Levels			Description	
STATIC	RED			0-255	Combines red, green, blue, and white to make a custom color (0-100%)
	GREEN				
	BLUE				
	WHITE				
	ZOOM				
	STROBE			Changes the beam angle (zoom)	
ADDRESS	001-512			Selects the strobe frequency (0-25 Hz)	
AUTO PROGRAM	AUTO 1-10		SPEED 0-255	Sets the DMX starting address	
	PROGRAM 1-10			Selects automatic programs and auto program speed	
RUN MODE	DMX			Selects customizable programs	
	SLAVE			Receives DMX signals from the DMX controller	
ZOOM MODE	ZOOM MODE 1			Receives DMX signals from the master	
	ZOOM MODE 2			Normal operation	
PERSONALITY	HSIC			Recommended for use Below 40 °F	
	SSP			9-channel: Dimmer, 16-bit hue, saturation, white balance, strobe, zoom, zoom control, dimmer speed	
	TOUR			9-channel: Dimmer, RGBW, strobe, zoom, zoom control, dimmer speed	
	TR16			12-channel: Dimmer, RGBW, color macro/white balance, strobe, auto programs, auto speed, zoom, zoom control, dimmer speed	
	STD.Y			17-channel: 16-bit RGBW and dimmer, strobe, color macro/white balance, strobe, auto programs, zoom, zoom control, dimmer speed	
EDIT	PROGRAM 1-10	SCENE-01-30	RED	0-255	Combines red, green, blue, and white to make a custom color (0-100%)
			GREEN		
			BLUE		
			WHITE		
			ZOOM		
			STROBE		
			TIME		
FADE	Changes the beam angle (zoom)				
				Selects the strobe frequency (0-25 Hz)	
				Defines the step duration (slow to fast)	
				Defines the fade duration (slow to fast)	

Main Level	Programming Levels				Description	
SETTING	**** (Enter Passcode)	UPLOAD	**** (Enter Passcode)	SEND	Uploads custom programs to other COLORado 1 Solos	
		RESET	**** (Enter Passcode)		Resets the fixture to factory defaults	
		DIMMER	OFF		Selects dimming profiles from fast (DIM1) to slow (DIM4) or OFF	
			DIM4			
			DIM3			
			DIM2			
		DMX ERROR	SAVE		Continues with last command upon loss of DMX control	
			BLACK		Blacks out fixture upon loss of DMX	
		PWM	600HZ		Selects the PWM output frequency	
			1200HZ			
			2000HZ			
			2400HZ			
			6000HZ			
			18000HZ			
FULL POWER CCT	25000HZ		Sets the color temperature when all color faders are set to 100%			
	Warm White					
	Neutral White					
	Cool White#1					
XY OFFSET	Cool White#2		Manual color temperature			
	NORMAL					
	HIDE					
KEY	SHOW		Shows and hides XY settings in PWM menu option.			
	OFF					
CALIB.C	ON		Sets to key lock (Passcode mode)			
	**** (Enter Passcode)	WHITE		WHITE 01-13	X FINE	+/- 200
VERSION		V....		Y FINE		
INFO	RDM	UID			Shows installed software version
		LABEL		COLORADO 1 SOLO		Shows product UID
						Shows product name

DMX Values
STD.Y

Channel	Function	Value	Percent/Setting
1	Dimmer	000 ⇔ 255	0-100%
2	Fine dimmer	000 ⇔ 255	Fine control (16-bit) (Step duration if Custom 1–10 in CH. 13 is active)
3	Red	000 ⇔ 255	0–100% (Fade duration if Custom 1–10 in CH. 13 is active)
4	Fine red	000 ⇔ 255	Fine control (16-bit)
5	Green	000 ⇔ 255	0-100%
6	Fine green	000 ⇔ 255	Fine control (16-bit)
7	Blue	000 ⇔ 255	0-100%
8	Fine blue	000 ⇔ 255	Fine control (16-bit)
9	White	000 ⇔ 255	0-100%
10	Fine white	000 ⇔ 255	Fine control (16-bit)
11	Color macro + White balance	000 ⇔ 010	No function
		011 ⇔ 030	R:100% G: 0-100% B: 0
		031 ⇔ 050	R:100%-0 G: 100% B: 0
		051 ⇔ 070	R:0 G: 100% B: 0-100%
		071 ⇔ 090	R:0 G: 100%-0 B: 100%
		091 ⇔ 110	R:0-100% G: 0 B: 100%
		111 ⇔ 130	R:100% G: 0 B: 100%-0
		131 ⇔ 150	R:100% G: 0-100% B: 0-100%
		151 ⇔ 170	R:100%-0 G: 100%-0 B: 100%
		171 ⇔ 195	RGBW: 100%
		196 ⇔ 200	White 1
		201 ⇔ 205	White 2
		206 ⇔ 210	White 3
		211 ⇔ 215	White 4
		216 ⇔ 220	White 5
		221 ⇔ 225	White 6
		226 ⇔ 230	White 7
231 ⇔ 235	White 8		
236 ⇔ 240	White 9		
241 ⇔ 245	White 10		
246 ⇔ 250	White 11		
251 ⇔ 255	White 12		
12	Strobe	000 ⇔ 009	No function
		010 ⇔ 099	Slow to fast
		100 ⇔ 109	No function
		110 ⇔ 179	Lighting strobe
		180 ⇔ 189	No function
		190 ⇔ 255	Random
13	Auto programs	000 ⇔ 040	No function
		041 ⇔ 050	Auto 1
		051 ⇔ 060	Auto 2
		061 ⇔ 070	Auto 3
		071 ⇔ 080	Auto 4
		081 ⇔ 090	Auto 5
		091 ⇔ 100	Auto 6
		101 ⇔ 110	Auto 7
		111 ⇔ 120	Auto 8
		121 ⇔ 130	Auto 9
		131 ⇔ 140	Auto 10
		141 ⇔ 150	Custom 1
		151 ⇔ 160	Custom 2
		161 ⇔ 170	Custom 3
		171 ⇔ 180	Custom 4
		181 ⇔ 190	Custom 5
		191 ⇔ 200	Custom 6
201 ⇔ 210	Custom 7		
211 ⇔ 220	Custom 8		
221 ⇔ 230	Custom 9		
231 ⇔ 255	Custom 10		

EN

Channel	Function	Value	Percent/Setting
14	Auto speed	000 ⇄ 255	0-100%
15	Zoom	000 ⇄ 255	0-100%
16	Zoom control	000 ⇄ 200	No function
		201 ⇄ 220	Zoom reset
		221 ⇄ 255	No function
17	Dimmer speed	000 ⇄ 009	Preset dimmer speed from display menu
		010 ⇄ 029	Linear dimmer
		030 ⇄ 069	Nonlinear dimming curve 1 (fastest)
		070 ⇄ 129	Nonlinear dimming curve 2
		130 ⇄ 189	Nonlinear dimming curve 3
		190 ⇄ 255	Nonlinear dimming curve 4 (slowest)

TR16

Channel	Function	Value	Percent/Setting
1	Dimmer	000 ⇄ 255	0-100%
2	Fine dimmer	000 ⇄ 255	Fine control (16-bit) (Step duration if Custom 1–10 in CH. 13 is active)
3	Red	000 ⇄ 255	0–100% (Fade duration if Custom 1–10 in CH. 13 is active)
4	Fine red	000 ⇄ 255	Fine control (16-bit)
5	Green	000 ⇄ 255	0-100%
6	Fine green	000 ⇄ 255	Fine control (16-bit)
7	Blue	000 ⇄ 255	0-100%
8	Fine blue	000 ⇄ 255	Fine control (16-bit)
9	White	000 ⇄ 255	0-100%
10	Fine white	000 ⇄ 255	Fine control (16-bit)
11	Color macro + White balance	000 ⇄ 010	No function
		011 ⇄ 030	R:100% G: 0-100% B: 0
		031 ⇄ 050	R:100%-0 G: 100% B: 0
		051 ⇄ 070	R:0 G: 100% B: 0-100%
		071 ⇄ 090	R:0 G: 100%-0 B: 100%
		091 ⇄ 110	R:0-100% G: 0 B: 100%
		111 ⇄ 130	R:100% G: 0 B: 100%-0
		131 ⇄ 150	R:100% G: 0-100% B: 0-100%
		151 ⇄ 170	R:100%-0 G: 100%-0 B: 100%
		171 ⇄ 195	RGBW: 100%
		196 ⇄ 200	White 1
		201 ⇄ 205	White 2
		206 ⇄ 210	White 3
		211 ⇄ 215	White 4
		216 ⇄ 220	White 5
		221 ⇄ 225	White 6
226 ⇄ 230	White 7		
231 ⇄ 235	White 8		
236 ⇄ 240	White 9		
241 ⇄ 245	White 10		
246 ⇄ 250	White 11		
251 ⇄ 255	White 12		
12	Strobe	000 ⇄ 009	No function
		010 ⇄ 099	0-25 Hz
		100 ⇄ 109	No function
		110 ⇄ 179	Lighting strobe
		180 ⇄ 189	No function
		190 ⇄ 255	Random

Channel	Function	Value	Percent/Setting
13	Auto programs	000 ⇔ 040	No function
		041 ⇔ 050	Auto 1
		051 ⇔ 060	Auto 2
		061 ⇔ 070	Auto 3
		071 ⇔ 080	Auto 4
		081 ⇔ 090	Auto 5
		091 ⇔ 100	Auto 6
		101 ⇔ 110	Auto 7
		111 ⇔ 120	Auto 8
		121 ⇔ 130	Auto 9
		131 ⇔ 140	Auto 10
		141 ⇔ 150	Custom 1
		151 ⇔ 160	Custom 2
		161 ⇔ 170	Custom 3
		171 ⇔ 180	Custom 4
		181 ⇔ 190	Custom 5
191 ⇔ 200	Custom 6		
201 ⇔ 210	Custom 7		
211 ⇔ 220	Custom 8		
221 ⇔ 230	Custom 9		
231 ⇔ 255	Custom 10		
14	Auto speed	000 ⇔ 255	0-100%
15	Zoom	000 ⇔ 255	0-100%
16	Zoom control	000 ⇔ 200	No function
		201 ⇔ 220	Zoom reset
		221 ⇔ 255	No function
17	Dimmer speed	000 ⇔ 009	Preset dimmer speed from display menu
		010 ⇔ 029	Linear dimmer
		030 ⇔ 069	Nonlinear dimming curve 1 (fastest)
		070 ⇔ 129	Nonlinear dimming curve 2
		130 ⇔ 189	Nonlinear dimming curve 3
		190 ⇔ 255	Nonlinear dimming curve 4 (slowest)

TOUR

Channel	Function	Value	Percent/Setting
1	Dimmer	000 ⇔ 255	0-100%
2	Red	000 ⇔ 255	0-100% (Step Duration if Custom 1–10 in CH. 8 is active)
3	Green	000 ⇔ 255	0–100% (Fade Duration if Custom 1–10 in CH. 8 is active)
4	Blue	000 ⇔ 255	0-100%
5	White	000 ⇔ 255	0-100%
6	Color macro + White balance	000 ⇔ 010	No function
		011 ⇔ 030	R:100% G: 0-100% B: 0
		031 ⇔ 050	R:100%-0 G: 100% B: 0
		051 ⇔ 070	R:0 G: 100% B: 0-100%
		071 ⇔ 090	R:0 G: 100%-0 B: 100%
		091 ⇔ 110	R:0-100% G: 0 B: 100%
		111 ⇔ 130	R:100% G: 0 B: 100%-0
		131 ⇔ 150	R:100% G: 0-100% B: 0-100%
		151 ⇔ 170	R:100%-0 G: 100%-0 B: 100%
		171 ⇔ 195	RGBW: 100%
		196 ⇔ 200	White 1
		201 ⇔ 205	White 2
		206 ⇔ 210	White 3
		211 ⇔ 215	White 4
		216 ⇔ 220	White 5
		221 ⇔ 225	White 6
		226 ⇔ 230	White 7
		231 ⇔ 235	White 8
		236 ⇔ 240	White 9
		241 ⇔ 245	White 10
246 ⇔ 250	White 11		
251 ⇔ 255	White 12		

Channel	Function	Value	Percent/Setting
7	Strobe	000 ⇄ 009	No function
		010 ⇄ 099	0-25 Hz
		100 ⇄ 109	No function
		110 ⇄ 179	Lighting strobe
		180 ⇄ 189	No function
		190 ⇄ 255	Random
8	Programs	000 ⇄ 040	No function
		041 ⇄ 050	Auto 1
		051 ⇄ 060	Auto 2
		061 ⇄ 070	Auto 3
		071 ⇄ 080	Auto 4
		081 ⇄ 090	Auto 5
		091 ⇄ 100	Auto 6
		101 ⇄ 110	Auto 7
		111 ⇄ 120	Auto 8
		121 ⇄ 130	Auto 9
		131 ⇄ 140	Auto 10
		141 ⇄ 150	Custom 1
		151 ⇄ 160	Custom 2
		161 ⇄ 170	Custom 3
		171 ⇄ 180	Custom 4
		181 ⇄ 190	Custom 5
191 ⇄ 200	Custom 6		
201 ⇄ 210	Custom 7		
211 ⇄ 220	Custom 8		
221 ⇄ 230	Custom 9		
231 ⇄ 255	Custom 10		
9	Auto speed	000 ⇄ 255	0-100%
10	Zoom	000 ⇄ 255	0-100%
11	Zoom control	000 ⇄ 200	No function
		201 ⇄ 220	Zoom reset
		221 ⇄ 255	No function
12	Dimmer speed	000 ⇄ 009	Preset dimmer speed from display menu
		010 ⇄ 029	Linear dimmer
		030 ⇄ 069	Nonlinear dimming curve 1 (fastest)
		070 ⇄ 129	Nonlinear dimming curve 2
		130 ⇄ 189	Nonlinear dimming curve 3
		190 ⇄ 255	Nonlinear dimming curve 4 (slowest)

SSP

Channel	Function	Value	Percent/Setting
1	Dimmer	000 ⇄ 255	0-100%
2	Red	000 ⇄ 255	0-100%
3	Green	000 ⇄ 255	0-100%
4	Blue	000 ⇄ 255	0-100%
5	White	000 ⇄ 255	0-100%
6	Strobe	000 ⇄ 009	No function
		010 ⇄ 099	0-25 Hz
		100 ⇄ 109	No function
		110 ⇄ 179	Lighting strobe
		180 ⇄ 189	No function
		190 ⇄ 255	Random
7	Zoom	000 ⇄ 255	0-100%
8	Zoom control	000 ⇄ 200	No function
		201 ⇄ 220	Zoom reset
		221 ⇄ 255	No function
9	Dimmer speed	000 ⇄ 009	Preset dimmer speed from display menu
		010 ⇄ 029	Linear dimmer
		030 ⇄ 069	Nonlinear dimming curve 1 (fastest)
		070 ⇄ 129	Nonlinear dimming curve 2
		130 ⇄ 189	Nonlinear dimming curve 3
		190 ⇄ 255	Nonlinear dimming curve 4 (slowest)

HSIC

Channel	Function	Value	Percent/Setting
1	Dimmer	000 ⇔ 255	0-100%
2	Hue	000 ⇔ 255	0-100%
3	Hue fine	000 ⇔ 255	0-100%
4	Saturation	000 ⇔ 255	0-100%
5	White balance	000 ⇔ 010	No function
		011 ⇔ 030	White 1
		031 ⇔ 050	White 2
		051 ⇔ 070	White 3
		071 ⇔ 090	White 4
		091 ⇔ 110	White 5
		111 ⇔ 130	White 6
		131 ⇔ 150	White 7
		151 ⇔ 170	White 8
		171 ⇔ 190	White 9
		191 ⇔ 210	White 10
		211 ⇔ 230	White 11
231 ⇔ 255	White 12		
6	Strobe	000 ⇔ 009	No function
		010 ⇔ 099	0-25 Hz
		100 ⇔ 109	No function
		110 ⇔ 179	Lighting strobe
		180 ⇔ 189	No function
		190 ⇔ 255	Random
7	Zoom	000 ⇔ 255	0-100%
8	Zoom control	000 ⇔ 200	No function
		201 ⇔ 220	Zoom reset
		221 ⇔ 255	No function
9	Dimmer speed	000 ⇔ 009	Preset dimmer speed from display menu
		010 ⇔ 029	Linear dimmer
		030 ⇔ 069	Nonlinear dimming curve 1 (fastest)
		070 ⇔ 129	Nonlinear dimming curve 2
		130 ⇔ 189	Nonlinear dimming curve 3
190 ⇔ 255	Nonlinear dimming curve 4 (slowest)		

Acerca de Esta Guía

La Guía de Referencia Rápida (GRR) del COLORado 1 Solo contiene información básica sobre el producto, como montaje, opciones de menú y valores DMX. Descargue el Manual de Usuario de www.chauvetprofessional.com para información más detallada.

Exención de Responsabilidad

La información y especificaciones contenidas en esta GRR están sujetas a cambio sin previo aviso.

GARANTÍA LIMITADA

PARA VER EL REGISTRO DE GARANTÍA Y LOS TÉRMINOS Y CONDICIONES COMPLETOS, VISITE NUESTRO SITIO WEB.

Para clientes en los Estados Unidos y México: www.chauvetlighting.com/warranty-registration

Para clientes en Reino Unido, República de Irlanda, Bélgica, Países Bajos, Luxemburgo, Francia y Alemania: www.chauvetlighting.eu/warranty-registration/

Chauvet garantiza que este producto estará libre de defectos de material y mano de obra en condiciones de uso normales, durante el periodo especificado, sujeto siempre a las exclusiones y limitaciones establecidas en la garantía limitada completa de nuestro sitio web. Esta garantía se concede únicamente al comprador original del producto y no es transferible. Para ejercer los derechos que otorga esta garantía, usted debe proporcionar una prueba de compra en forma de un recibo de compra original, expedido por un distribuidor autorizado, donde figure el nombre del producto y la fecha de compra. NO EXISTEN OTRAS GARANTÍAS EXPRESAS NI IMPLÍCITAS. Esta garantía le otorga derechos legales específicos. Es posible que a usted le asistan otros derechos, que variarán dependiendo del estado o del país. Esta garantía solamente es válida en los Estados Unidos, Reino Unido, República de Irlanda, Bélgica, Países Bajos, Luxemburgo, Francia, Alemania y México. Para conocer los términos de garantía en otros países, consulte a su distribuidor local.

Notas de Seguridad

- NO abra este producto. No contiene piezas reparables por el usuario.
- Para evitar un desgaste innecesario y alargar su vida útil, desconecte complementemente el producto de la alimentación, mediante el interruptor o desenchufándolo, durante los periodos en los que no se use.
- NO mire a la fuente de luz cuando el producto esté encendido.
- CUIDADO: La carcasa de este producto está caliente cuando las luces están en funcionamiento.
- Monte este producto en una ubicación con ventilación adecuada, al menos a 20" (50 cm) de superficies adyacentes.
- NO deje ningún material inflamable a menos de 20" (50 cm) de este producto mientras esté funcionando o conectado a la alimentación.
- Cuidado: cuando transfiera el producto desde ambientes con temperatura extrema (p. ej., del remolque frío de un camión a una sala de baile con calor y humedad), puede formarse condensación en la electrónica interna del producto. Para evitar que se produzca una avería, deje que el producto se aclimate completamente al ambiente antes de conectar la alimentación.
- No apto para la instalación permanente en exteriores en lugares con condiciones ambientales extremas. Estas incluyen, sin limitarse a ellas:
 - Exposición a un ambiente marino/salino (a menos de 4,8 km de una masa de agua salada).
 - Cuando las temperaturas máxima o mínima habituales del lugar superan los rangos de temperatura en este manual.
 - Lugares proclives a inundaciones o a ser sepultados por la nieve.
 - Otras zonas en las que el producto esté expuesto a radiación extrema o sustancias cáusticas.
- USE un cable de seguridad cuando monte este producto en lo alto.
- NO sumerja este producto (IP65). La operación normal en exteriores es correcta.
- NO ponga en funcionamiento este producto si sospecha que la carcasa, lentes o cables están dañados.
- NO conecte este producto a un atenuador o reostato.
- Conecte este producto SOLO a un circuito con toma de tierra y protegido.
- Use SOLAMENTE los soportes de colgar/montar para mover este producto.
- En caso de un problema grave de funcionamiento, deje de usarlo inmediatamente.
- La máxima temperatura ambiente es de 113 °F (45 °C). No haga funcionar este producto a temperaturas más altas.

Cumplimiento de la FCC

Este dispositivo cumple la parte 15, parte B de las normas FCC. El Funcionamiento está supeditado al cumplimiento de estas dos condiciones:

1. Este dispositivo no puede causar interferencias perjudiciales; y
2. Este dispositivo debe aceptar cualquier interferencia recibida, incluyendo las interferencias que puedan causar un funcionamiento no deseado.

Cualquier cambio o modificación que no haya sido expresamente autorizado por la parte responsable de conformidad puede anular la potestad del usuario para hacer funcionar el equipo.

Contacto

Fuera de EE. UU., Reino Unido, Irlanda, Benelux, Francia, Alemania o México, póngase en contacto con su distribuidor para solicitar asistencia o devolver el producto. Visite [Contact Us](#) para información de contacto.

Qué va Incluido

- COLORado 1 Solo
- Seetronic Powerkon IP65 cable de alimentación
- Guía de Referencia Rápida

Corriente Alterna

Este producto tiene una fuente de alimentación con detección automática que puede funcionar con un rango de tensión de entrada de 100 a 240 VCA, 50/60 Hz.

Alimentación en Cadena

Puede enlazar hasta 24 productos COLORado 1 Solo a 120 V, 40 productos a 208 V, o 45 a 230 V. Nunca sobrepase este número. Los cables de alimentación en cadena se pueden adquirir por separado

Enchufe CA

Conexión	Cable (EE.UU.)	Cable (Europa)	Color del tornillo
CA Cargado	Negro	Marrón	Amarillo/Latón
CA Neutro	Blanco	Azul	Plata
CA Tierra	Verde/Amarillo	Verde/Amarillo	Verde



- **Para evitar un desgaste innecesario y alargar su vida útil, desconecte complemente el producto de la alimentación, mediante el interruptor o desenchufándolo, durante los periodos en los que no se use.**
- **Cuando utilice este producto en exteriores, use cables de datos y alimentación con protección IP65 (o superior). Asegúrese de proteger los puertos de datos y alimentación que no se usen colocando tapas IP65.**

Enlace DMX

El COLORado 1 Solo funcionará con un controlador DMX usando una conexión serie DMX normal. Hay un manual DMX disponible en www.chauvetprofessional.com.

Conexión DMX

El COLORado 1 Solo usa una conexión de datos DMX normal para sus personalidades: **STD.Y, TOUR, TR16, SSP y HSIC**. Vea el Manual de Usuario para conectar y configurar para funcionamiento DMX.



Cuando utilice este producto en exteriores con ambiente tipo IP65, asegúrese de usar cables de datos con protección IP65 (o superior) y de proteger los puertos que no se usen colocando tapas IP65.



Nota: Para un control óptimo de los canales de atenuación de 16 bits en la personalidades TR16 y STD.Y asegúrese de que ambas curvas de atenuación en SETTING > DIMMER están configuradas en OFF.

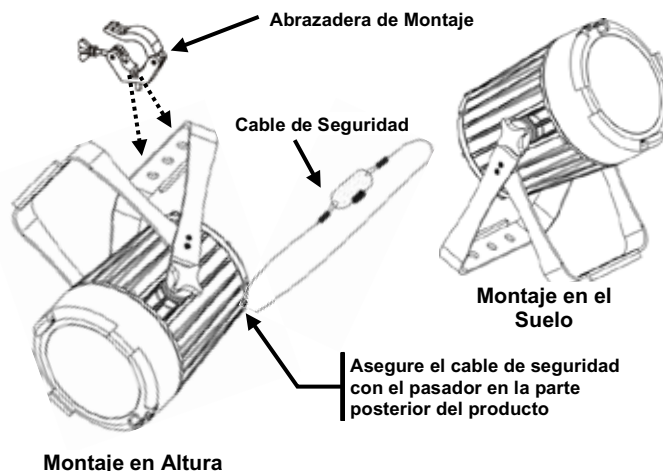
Conexión Maestro/Esclavo

El COLORado 1 Solo usa la conexión de datos DMX para su modo Maestro/Esclavo. Vea el Manual de Usuario para conectar y configurar para funcionamiento Maestro/Esclavo.

Montaje

Antes de montar este producto, lea las [Notas de Seguridad](#). Asegúrese de que las abrazaderas de montaje son capaces de soportar el peso del producto. Para nuestra línea Chauvet de abrazaderas de montaje, visite <http://trusst.com/productcategory/truss-clamps/>

Diagrama de Montaje del Producto



Descripción del Panel de Control

Botón	Función
<MENU>	Salte del menú o función actual
<ENTER>	Habilita el menú actualmente en pantalla o configura el valor seleccionado actualmente dentro de la función seleccionada
<UP>	Navega hacia arriba por la lista de menú o aumenta el valor numérico cuando está en una función
<DOWN>	Navega hacia abajo por la lista de menú o disminuye el valor numérico cuando está en una función

Código de acceso

Después de que se le solicite, introduzca el siguiente código de acceso pulsando:

<UP>, <DOWN>, <UP>, <DOWN>, <ENTER>

Este código no se puede cambiar y se debe usar cuando se le solicite.

Mapa de Menú

Consulte la página del producto COLORado 1 Solo en www.chauvetprofessional.com para ver el último mapa de menu.

Nivel Principal	Niveles de Programación			Descripción	
STATIC	RED			0-255	Combina rojo, verde, azul y blanco para formar un color personalizado (0-100%)
	GREEN				
	BLUE				
	WHITE				
	ZOOM				
	STROBE				
ADDRESS	001-512			Selecciona la dirección DMX de inicio	
AUTO PROGRAM	AUTO 1-10		SPEED 0-255	10 programas automáticos	
	PROGRAM 1-10			10 programas personalizables	
RUN MODE	DMX			Modo DMX	
	SLAVE			Modo Maestro/Esclavo	
ZOOM MODE	ZOOM MODE 1			Operación normal	
	ZOOM MODE 2			Se recomienda su uso debajo de 40°F	
PERSONALITY	HSIC			9 canales: Control H/S/CCT, atenuador, estroboscopio, zoom, reinicio del zoom, velocidad atenuador	
	SSP			9 canales: R/V/A/B, atenuador, estroboscopio, zoom, reinicio del zoom, velocidad atenuador	
	TOUR			12 canales: RVAB, atenuador, estroboscopio, macro de color, auto/personalizado, velocidad atenuador, velocidad automática, zoom, reinicio del zoom	
	TR16			17 canales: 16-bit RVAB y atenuador, estroboscopio, macro de color, auto/personalizado, velocidad atenuador, velocidad automática, zoom, reinicio del zoom	
	STD.Y			17 canales: 16-bit RVAB y atenuador, estroboscopio, macro de color, auto/personalizado, velocidad atenuador, velocidad automática, zoom, reinicio del zoom	
EDIT	PROGRAM 1-10	SCENE-01-30	RED	0-255	Combina rojo, verde, azul y blanco para generar un color personalizado (0-100%)
			GREEN		
			BLUE		
			WHITE		
			ZOOM		
			STROBE		
			TIME		
FADE					
					Selecciona el ángulo del haz (zoom)
					Selecciona la frecuencia de estroboscopio (0-25 Hz)
					Define la duración del paso (lento a rápido)
					Define la duración del fado (lento a rápido)

Nivel Principal	Niveles de Programación				Descripción	
SETTING	**** (Introducir código de acceso)	UPLOAD		**** (Introducir código de acceso)	SEND	Carga programas personalizados a otros productos COLORado 1 Solos
		RESET		**** (Introducir código de acceso)		Restablece en el producto los valores de fábrica
		DIMMER		OFF		Sin atenuador
				DIM4		perfil de atenuador
				DIM3		
				DIM2		
		DMX ERROR		SAVE		Continúa con el último comando tras la pérdida de control DMX
				BLACK		Apaga (blackout) el dispositivo tras la pérdida de señal DMX
		PWM		600HZ		Selecciona la frecuencia de emisión PWM
				1200HZ		
2000HZ						
2400HZ						
6000HZ						
18000HZ 25000HZ						
SETTING	**** (Introducir código de acceso)	FULL POWER CCT		Warm White	Establece la temperatura del color cuando todos los deslizadores están situados al 100%	
				Neutral White		
				Cool White#1		
				Cool White#2		
		XY OFFSET		NORMAL		Temperatura de color manual
XY OFFSET		HIDE		Muestra y oculta la configuración XY en la opción de menú PWM.		
		SHOW				
KEY	OFF				Activa o desactiva la contraseña	
ON						
CALIB.C	**** (Introducir código de acceso)	WHITE	WHITE 01-13	X FINE	+/- 200	Modifica los macros de color usados en las personalidades TOUR, HSIC, TR16 y STD.Y
				Y FINE		
INFO	VERSION		V....		Muestra la versión de software instalada	
	RDM	UID			Muestra actual UID #
		LABEL		COLORADO 2 SOLO		Nombre de producto

Valores DMX
SSP

Canal	Función	Valor	Porcentaje/Configuración
1	Atenuador	000 ⇔ 255	0-100%
2	Rojo	000 ⇔ 255	0-100%
3	Verde	000 ⇔ 255	0-100%
4	Azul	000 ⇔ 255	0-100%
5	Blanco	000 ⇔ 255	0-100%
6	Estroboscopio	000 ⇔ 009	Sin función
		010 ⇔ 099	0-25 Hz
		100 ⇔ 109	Sin función
		110 ⇔ 179	Efecto de iluminación
		180 ⇔ 189	Sin función
190 ⇔ 255	Aleatorio		
7	Zoom	000 ⇔ 255	0-100%
8	Reinicio del zoom	000 ⇔ 200	Sin función
		201 ⇔ 220	Reinicio del zoom
		221 ⇔ 255	Sin función
9	Velocidad atenuador	000 ⇔ 009	Preconfigura la velocidad del atenuador desde la pantalla de menú
		010 ⇔ 029	Atenuador lineal
		030 ⇔ 069	Curva de atenuación no-lineal 1 (la más rápida)
		070 ⇔ 129	Curva de atenuación no-lineal 2
		130 ⇔ 189	Curva de atenuación no-lineal 3
190 ⇔ 255	Curva de atenuación no-lineal 4 (la más lenta)		

STD.Y

Canal	Función	Valor	Porcentaje/Configuración
1	Atenuador	000 ⇔ 255	0-100%
2	Atenuador fino	000 ⇔ 255	Nítido control (16-bit) (Duración del paso si Personalizado 1-10 está activo en Canal 13)
3	Rojo	000 ⇔ 255	0-100% (Duración del fade si Personalizado 1-10 está activo en Canal 13)
4	Rojo nítido	000 ⇔ 255	Nítido control (16-bit)
5	Verde	000 ⇔ 255	0-100%
6	Verde nítido	000 ⇔ 255	Nítido control (16-bit)
7	Azul	000 ⇔ 255	0-100%
8	Azul nítido	000 ⇔ 255	Nítido control (16-bit)
9	Blanco	000 ⇔ 255	0-100%
10	Blanco nítido	000 ⇔ 255	Nítido control (16-bit)
11	Macro de color + Equilibrio de blancos	000 ⇔ 010	Sin función
		011 ⇔ 030	R:100% V: 0-100% A: 0
		031 ⇔ 050	R:100%-0 V: 100% A: 0
		051 ⇔ 070	R:0 V: 100% A: 0-100%
		071 ⇔ 090	R:0 V: 100%-0 A: 100%
		091 ⇔ 110	R:0-100% V: 0 A: 100%
		111 ⇔ 130	R:100% V: 0 A: 100%-0
		131 ⇔ 150	R:100% V: 0-100% A: 0-100%
		151 ⇔ 170	R:100%-0 V: 100%-0 A: 100%
		171 ⇔ 195	RVAB: 100%
		196 ⇔ 200	Blanco 1
		201 ⇔ 205	Blanco 2
		206 ⇔ 210	Blanco 3
		211 ⇔ 215	Blanco 4
		216 ⇔ 220	Blanco 5
		221 ⇔ 225	Blanco 6
		226 ⇔ 230	Blanco 7
231 ⇔ 235	Blanco 8		
236 ⇔ 240	Blanco 9		
241 ⇔ 245	Blanco 10		
246 ⇔ 250	Blanco 11		
251 ⇔ 255	Blanco 12		

Canal	Función	Valor	Porcentaje/Configuración
12	Estroboscopio	000 ⇄ 009	Sin función
		010 ⇄ 099	Lento a rápido
		100 ⇄ 109	Sin función
		110 ⇄ 179	Efecto de iluminación, lento a rápido
		180 ⇄ 189	Sin función
		190 ⇄ 255	Aleatorio
13	Programas	000 ⇄ 040	Sin función
		041 ⇄ 050	Auto 1
		051 ⇄ 060	Auto 2
		061 ⇄ 070	Auto 3
		071 ⇄ 080	Auto 4
		081 ⇄ 090	Auto 5
		091 ⇄ 100	Auto 6
		101 ⇄ 110	Auto 7
		111 ⇄ 120	Auto 8
		121 ⇄ 130	Auto 9
		131 ⇄ 140	Auto 10
		141 ⇄ 150	Personalizado 1
		151 ⇄ 160	Personalizado 2
		161 ⇄ 170	Personalizado 3
		171 ⇄ 180	Personalizado 4
		181 ⇄ 190	Personalizado 5
		191 ⇄ 200	Personalizado 6
201 ⇄ 210	Personalizado 7		
211 ⇄ 220	Personalizado 8		
221 ⇄ 230	Personalizado 9		
231 ⇄ 255	Personalizado 10		
14	Velocidad automática	000 ⇄ 255	0-100%
15	Zoom	000 ⇄ 255	0-100%
16	Reinicio del zoom	000 ⇄ 200	Sin función
		201 ⇄ 220	Reinicio del zoom
		221 ⇄ 255	Sin función
17	Velocidad atenuador	000 ⇄ 009	Preconfigura la velocidad del atenuador desde la pantalla de menú
		010 ⇄ 029	Atenuador lineal
		030 ⇄ 069	Curva de atenuación no-lineal 1 (la más rápida)
		070 ⇄ 129	Curva de atenuación no-lineal 2
		130 ⇄ 189	Curva de atenuación no-lineal 3
		190 ⇄ 255	Curva de atenuación no-lineal 4 (la más lenta)

TR16

Canal	Función	Valor	Porcentaje/Configuración
1	Atenuador	000 ⇄ 255	0-100%
2	Atenuador fino	000 ⇄ 255	Nítido control (16-bit) (Duración del Paso si Personalizado 1–10 está activo en Canal 13)
3	Rojo	000 ⇄ 255	0–100% (Duración del Fade si Personalizado 1–10 está activo en Canal 13)
4	Rojo nítido	000 ⇄ 255	Nítido control (16-bit)
5	Verde	000 ⇄ 255	0-100%
6	Verde nítido	000 ⇄ 255	Nítido control (16-bit)
7	Azul	000 ⇄ 255	0-100%
8	Azul nítido	000 ⇄ 255	Nítido control (16-bit)
9	Blanco	000 ⇄ 255	0-100%
10	Blanco nítido	000 ⇄ 255	Nítido control (16-bit)

Canal	Función	Valor	Porcentaje/Configuración
11	Macro de color + Equilibrio de blancos	000 ⇔ 010	Sin función
		011 ⇔ 030	R:100% V: 0-100% A: 0
		031 ⇔ 050	R:100%-0 V: 100% A: 0
		051 ⇔ 070	R:0 V: 100% A: 0-100%
		071 ⇔ 090	R:0 V: 100%-0 A: 100%
		091 ⇔ 110	R:0-100% V: 0 A: 100%
		111 ⇔ 130	R:100% V: 0 A: 100%-0
		131 ⇔ 150	R:100% V: 0-100% A: 0-100%
		151 ⇔ 170	R:100%-0 V: 100%-0 A: 100%
		171 ⇔ 195	RVAB: 100%
		196 ⇔ 200	Blanco 1
		201 ⇔ 205	Blanco 2
		206 ⇔ 210	Blanco 3
		211 ⇔ 215	Blanco 4
		216 ⇔ 220	Blanco 5
		221 ⇔ 225	Blanco 6
		226 ⇔ 230	Blanco 7
		231 ⇔ 235	Blanco 8
		236 ⇔ 240	Blanco 9
		241 ⇔ 245	Blanco 10
246 ⇔ 250	Blanco 11		
251 ⇔ 255	Blanco 12		
12	Estroboscopio	000 ⇔ 009	Sin función
		010 ⇔ 099	0-25 Hz
		100 ⇔ 109	Sin función
		110 ⇔ 179	Efecto de iluminación
		180 ⇔ 189	Sin función
		190 ⇔ 255	Aleatorio
13	Programas	000 ⇔ 040	Sin función
		041 ⇔ 050	Auto 1
		051 ⇔ 060	Auto 2
		061 ⇔ 070	Auto 3
		071 ⇔ 080	Auto 4
		081 ⇔ 090	Auto 5
		091 ⇔ 100	Auto 6
		101 ⇔ 110	Auto 7
		111 ⇔ 120	Auto 8
		121 ⇔ 130	Auto 9
		131 ⇔ 140	Auto 10
		141 ⇔ 150	Personalizado 1
		151 ⇔ 160	Personalizado 2
		161 ⇔ 170	Personalizado 3
		171 ⇔ 180	Personalizado 4
		181 ⇔ 190	Personalizado 5
		191 ⇔ 200	Personalizado 6
		201 ⇔ 210	Personalizado 7
211 ⇔ 220	Personalizado 8		
221 ⇔ 230	Personalizado 9		
231 ⇔ 255	Personalizado 10		
14	Velocidad automática	000 ⇔ 255	0-100% (solo cuando se usa Auto 1-10 en Canal 13)
15	Zoom	000 ⇔ 255	0-100%
16	Reinicio del zoom	000 ⇔ 200	Sin función
		201 ⇔ 220	Reinicio del zoom
		221 ⇔ 255	Sin función
17	Velocidad atenuador	000 ⇔ 009	Preconfigura la velocidad del atenuador desde la pantalla de menú
		010 ⇔ 029	Atenuador lineal
		030 ⇔ 069	Curva de atenuación no-lineal 1 (la más rápida)
		070 ⇔ 129	Curva de atenuación no-lineal 2
		130 ⇔ 189	Curva de atenuación no-lineal 3
		190 ⇔ 255	Curva de atenuación no-lineal 4 (la más lenta)

ES

TOUR

Canal	Función	Valor	Porcentaje/Configuración
1	Atenuador	000 ⇄ 255	0–100%
2	Rojo	000 ⇄ 255	Nitido control (16-bit) (Duración del Paso si Personalizado 1–10 está activo en Canal 8)
3	Verde	000 ⇄ 255	0–100% (Duración del Fade si Personalizado 1–10 está activo en Canal 8)
4	Azul	000 ⇄ 255	0-100%
5	Blanco	000 ⇄ 255	0-100%
6	Macro de color + Equilibrio de blancos	000 ⇄ 010	Sin función
		011 ⇄ 030	R:100% V: 0-100% A: 0
		031 ⇄ 050	R:100%-0 V: 100% A: 0
		051 ⇄ 070	R:0 V: 100% A: 0-100%
		071 ⇄ 090	R:0 V: 100%-0 A: 100%
		091 ⇄ 110	R:0-100% V: 0 A: 100%
		111 ⇄ 130	R:100% V: 0 A: 100%-0
		131 ⇄ 150	R:100% V: 0-100% A: 0-100%
		151 ⇄ 170	R:100%-0 V: 100%-0 A: 100%
		171 ⇄ 195	RVAB: 100%
		196 ⇄ 200	Blanco 1
		201 ⇄ 205	Blanco 2
		206 ⇄ 210	Blanco 3
		211 ⇄ 215	Blanco 4
		216 ⇄ 220	Blanco 5
		221 ⇄ 225	Blanco 6
		226 ⇄ 230	Blanco 7
231 ⇄ 235	Blanco 8		
236 ⇄ 240	Blanco 9		
241 ⇄ 245	Blanco 10		
246 ⇄ 250	Blanco 11		
251 ⇄ 255	Blanco 12		
7	Estroboscopio	000 ⇄ 009	Sin función
		010 ⇄ 099	0–25 Hz
		100 ⇄ 109	Sin función
		110 ⇄ 179	Efecto de iluminación
		180 ⇄ 189	Sin función
		190 ⇄ 255	Aleatorio
8	Programas	000 ⇄ 040	Sin función
		041 ⇄ 050	Auto 1
		051 ⇄ 060	Auto 2
		061 ⇄ 070	Auto 3
		071 ⇄ 080	Auto 4
		081 ⇄ 090	Auto 5
		091 ⇄ 100	Auto 6
		101 ⇄ 110	Auto 7
		111 ⇄ 120	Auto 8
		121 ⇄ 130	Auto 9
		131 ⇄ 140	Auto 10
		141 ⇄ 150	Personalizado 1
		151 ⇄ 160	Personalizado 2
		161 ⇄ 170	Personalizado 3
		171 ⇄ 180	Personalizado 4
		181 ⇄ 190	Personalizado 5
		191 ⇄ 200	Personalizado 6
201 ⇄ 210	Personalizado 7		
211 ⇄ 220	Personalizado 8		
221 ⇄ 230	Personalizado 9		
231 ⇄ 255	Personalizado 10		
9	Velocidad automática	000 ⇄ 255	0-100%
10	Zoom	000 ⇄ 255	0-100%
11	Reinicio del zoom	000 ⇄ 200	Sin función
		201 ⇄ 220	Reinicio del zoom
		221 ⇄ 255	Sin función

Canal	Función	Valor	Porcentaje/Configuración
12	Velocidad atenuador	000 ⇔ 009	Preconfigura la velocidad del atenuador desde la pantalla de menú
		010 ⇔ 029	Atenuador lineal
		030 ⇔ 069	Curva de atenuación no-lineal 1 (la más rápida)
		070 ⇔ 129	Curva de atenuación no-lineal 2
		130 ⇔ 189	Curva de atenuación no-lineal 3
		190 ⇔ 255	Curva de atenuación no-lineal 4 (la más lenta)

HSIC

Canal	Función	Valor	Porcentaje/Configuración
1	Atenuador	000 ⇔ 255	0-100%
2	Tono	000 ⇔ 255	0-100%
3	Tono fino	000 ⇔ 255	0-100%
4	Saturación	000 ⇔ 255	0-100%
5	Equilibrio de blancos	000 ⇔ 010	Sin función
		011 ⇔ 030	Blanco 1
		031 ⇔ 050	Blanco 2
		051 ⇔ 070	Blanco 3
		071 ⇔ 090	Blanco 4
		091 ⇔ 110	Blanco 5
		111 ⇔ 130	Blanco 6
		131 ⇔ 150	Blanco 7
		151 ⇔ 170	Blanco 8
		171 ⇔ 190	Blanco 9
		191 ⇔ 210	Blanco 10
		211 ⇔ 230	Blanco 11
231 ⇔ 255	Blanco 12		
6	Estroboscopio	000 ⇔ 009	Sin función
		010 ⇔ 099	0-25 Hz
		100 ⇔ 109	Sin función
		110 ⇔ 179	Efecto de iluminación
		180 ⇔ 189	Sin función
		190 ⇔ 255	Aleatorio
7	Zoom	000 ⇔ 255	0-100%
8	Reinicio del zoom	000 ⇔ 200	Sin función
		201 ⇔ 220	Reinicio del zoom
		221 ⇔ 255	Sin función
9	Velocidad atenuador	000 ⇔ 009	Preconfigura la velocidad del atenuador desde la pantalla de menú
		010 ⇔ 029	Atenuador lineal
		030 ⇔ 069	Curva de atenuación no-lineal 1 (la más rápida)
		070 ⇔ 129	Curva de atenuación no-lineal 2
		130 ⇔ 189	Curva de atenuación no-lineal 3
		190 ⇔ 255	Curva de atenuación no-lineal 4 (la más lenta)

À Propos de ce Manuel

Le Manuel de Référence du COLORado 1 Solo (MR) reprend des informations de base sur cet appareil notamment en matière de connexions, montage, options de menu et valeurs DMX. Télécharger le Manuel d'Utilisation sur www.chauvetprofessional.com pour de plus amples informations.

Clause de Non-Responsabilité

Les informations et caractéristiques contenues dans ce manuel sont sujettes à changement sans préavis.

GARANTIE LIMITÉE

VEUILLEZ VISITER NOTRE SITE INTERNET POUR CONSULTER LES MODALITÉS D'ENREGISTREMENT DE LA GARANTIE ET LES CONDITIONS GÉNÉRALES COMPLÈTES.

Pour les clients aux États-Unis et au Mexique: www.chauvetlighting.com/warranty-registration

Pour les clients du Royaume-Uni, de la République d'Irlande, de la Belgique, des Pays-Bas, du Luxembourg, de la France et de l'Allemagne: www.chauvetlighting.eu/warranty-registration/

Chauvet garantit que cet appareil est exempt de défauts de matériaux et de fabrication dans des conditions normales d'utilisation, pendant la période spécifiée dans la garantie limitée complète consultable sur notre site Internet et sous réserve des exclusions et limitations qui y sont énoncées. Cette garantie ne s'applique qu'à l'acheteur initial du produit et n'est pas transférable. Pour exercer les droits prévus par cette garantie, vous devez fournir une preuve d'achat sous la forme d'un reçu de vente original d'un revendeur autorisé qui indique le nom du produit et la date d'achat. IL N'EXISTE AUCUNE AUTRE GARANTIE EXPRESSE OU IMPLICITE. Cette garantie vous confère des droits légaux spécifiques. Vous pouvez également bénéficier d'autres droits qui varient selon les états et les pays. Cette garantie n'est valable qu'aux États-Unis, au Royaume-Uni, en République d'Irlande, en Belgique, aux Pays-Bas, au Luxembourg, en France, en Allemagne et au Mexique. Pour connaître les conditions de garantie dans d'autres pays, veuillez consulter votre revendeur local.

Consignes de Sécurité

- N'ouvrez PAS cet appareil. Il ne contient aucun composant susceptible d'être réparé par l'utilisateur.
- Durant les périodes de non-utilisation, pour éviter toute usure inutile et pour prolonger la durée de vie, déconnectez entièrement l'appareil en le débranchant de l'alimentation électrique ou en coupant le disjoncteur.
- Ne regardez PAS la source lumineuse lorsque l'appareil fonctionne.
- ATTENTION: le boîtier de cet appareil est brûlant lors du fonctionnement.
- Montez toujours cet appareil dans un endroit bien ventilé, à au moins, 20 pouces (50 cm) des surfaces adjacentes.
- Ne laissez AUCUNE source inflammable dans un rayon de 50 cm de l'appareil lorsque celui-ci fonctionne.
- Attention : Lorsque l'appareil est transféré d'un environnement à température extrême à un autre (par exemple d'un camion froid vers une salle de bal chaude et humide), de la condensation peut se former sur les composants électriques internes. Pour éviter de causer des dommages, laissez l'appareil s'acclimater entièrement au milieu environnant avant de le mettre sous tension.
- Ne convient pas aux installations permanentes en extérieur sur des sites sujets à des conditions environnementales extrêmes. Cela inclut par exemple :
 - L'exposition à un environnement marin ou à une solution saline (à moins de 4,8 kilomètres d'un corps d'eau salée).
 - Lorsque les températures moyennes hautes ou basses du site dépassent les plages de températures indiquées dans ce manuel.
 - Les sites qui sont sujets aux inondations ou qui présentent un risque d'être ensevelis sous la neige.
 - Tout autre endroit où le produit risque d'être soumis à des rayonnements extrêmes ou à des substances caustiques.
- Utilisez TOUJOURS un câble de sécurité lorsque vous montez cet appareil en hauteur.
- N'immergez PAS ce produit (IP 65). Un usage normal en extérieur est autorisé.
- N'utilisez PAS cet appareil si le boîtier, les lentilles ou les câbles vous semblent endommagés.
- Ne connectez PAS cet appareil ni à un gradateur ni à un rhéostat.
- Connectez UNIQUEMENT cet appareil à un circuit protégé et relié à la terre.
- Transportez/Suspendez cet appareil UNIQUEMENT par le support de montage dont il est doté.
- En cas de sérieux problèmes de fonctionnement, arrêtez le système immédiatement.
- La température ambiante maximale supportée par cet appareil est de 113 °F (45 °C). Ne le faites pas fonctionner à des températures plus élevées.

Conformité FCC

Cet appareil est conforme à la partie 15, sous-partie B du règlement de la FCC. L'utilisation est soumise aux deux conditions suivantes:

1. Cet appareil ne doit pas causer d'interférences nuisibles, et
2. Cet appareil doit accepter toutes les interférences reçues, y compris celles pouvant entraîner un fonctionnement indésirable.

Tout changement ou modification non expressément approuvé par l'autorité responsable de la conformité pourrait annuler le droit de l'utilisateur à utiliser l'équipement.

Contact

En dehors des États-Unis, du Royaume-Uni, de l'Irlande, du Benelux, de la France, de l'Allemagne, ou du Mexique, contactez votre fournisseur si vous avez besoin d'assistance ou de retourner votre appareil. Consultez le site [Contact Us](#) pour trouver nos coordonnées.

Ce Qui est Inclus

- COLORado 1 Solo
- Seetronic Powerkon IP65 cordon d'alimentation
- Manuel de Référence

Alimentation CA

Cet appareil est doté d'une alimentation universelle prenant en charge toute tension d'entrée comprise entre 100 et 240 VCA, 50/60 Hz.

Connexion Électrique

Vous pouvez connecter entre eux jusqu'à 12 COLORado 1 Solo à 120 V, 21 unités à 208 V, ou 23 unités à 230 V. Ne dépassez jamais cette limite. Vous pouvez vous procurer séparément des cordons d'alimentation.

Prise CA

Connexion	Câble (États-Unis)	Câble (Europe)	Couleur de la vis
Conducteur CA	Noir	Marron	Jaune/Cuivré
Neutre CA	Blanc	Bleu	Argenté
Terre CA	Vert/Jaune	Vert/Jaune	Vert



- **Durant les périodes de non-utilisation, pour éviter toute usure inutile et pour prolonger la durée de vie, déconnectez-entièrement l'appareil en le débranchant de l'alimentation électrique ou en coupant le disjoncteur.**
- **Lors de l'utilisation de cet appareil en environnement extérieur, utilisez des câbles de données certifiés IP65 au minimum. Assurez-vous de protéger les ports d'alimentation et de données non utilisés avec les couvercles IP 65 fournis.**

Raccordement DMX

Le COLORado 1 Solo fonctionnera avec un jeu d'orgues DMX au moyen de connexions DMX en série standard. Une introduction au DMX est à votre disposition sur www.chauvetprofessional.com.

Connexion DMX

Le COLORado 1 Solo utilise une connexion de données DMX standard pour ses personnalités DMX: **STD.Y**, **TOUR**, **TR16**, **SSP** et **HSIC**. Consultez le Manuel d'Utilisation pour connecter et configurer le système DMX..



Lors de l'utilisation de cet appareil dans un environnement extérieur de type IP65, assurez-vous d'utiliser des câbles certifiés IP65 (ou mieux) et de protéger les ports non utilisés avec les couvercles IP65 inclus.



Remarque : Pour une commande optimale des canaux de gradation 16 bits dans les personnalités STD.Y et TR16, veillez à ce que les deux courbes de gradation dans SETTING > DIMMER soient sur OFF.

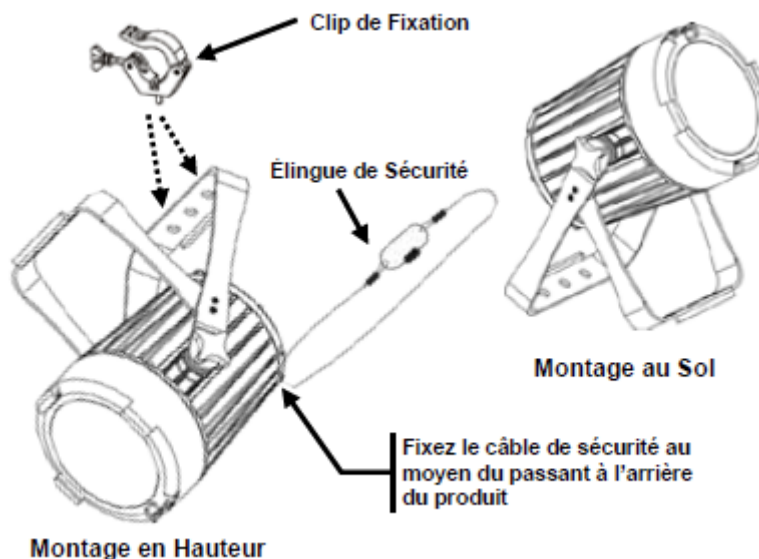
Connexion Maître/ Esclave

Le COLORado 1 Solo utilise une connexion de données DMX pour son mode Maître/Esclave. Consultez le Manuel d'Utilisation pour connecter et configurer le mode de fonctionnement Maître/Esclave.

Installation

Avant de monter cet appareil, lisez et assimilez les [Consignes de Sécurité](#). Use at least one mounting point per product. Make sure the mounting clamps are capable of supporting the weight of the product. For our Chauvet line of mounting clamps, go to <http://trusst.com/productcategory/truss-clamps/>

Schéma de Montage de l'Appareil



Description du Tableau de Commandes

Bouton	Fonction
<MENU>	Permet la sortie du menu ou de la fonction en cours
<ENTER>	Permet l'affichage du menu en cours ou permet de configurer la valeur en cours dans la fonction sélectionnée
<UP>	Permet de parcourir les listes ou les menus vers le haut, dans une fonction permet d'augmenter les valeurs numériques
<DOWN>	Permet de parcourir les listes ou les menus vers le bas, dans une fonction permet de diminuer les valeurs numériques

Code d'accès

Une fois affiché, saisissez le code d'accès suivant comme suit:

<UP>, <DOWN>, <UP>, <DOWN>, <ENTER>

Ce code ne peut pas être modifié et doit être saisi sur demande.

Options du Menú

 Reportez-vous à la page du produit COLORado 1 Solo sur www.chauvetprofessional.com pour la dernière carte des menu.

Nivel Principal	Niveles de Programación			Descripción	
STATIC	RED	0-255		Combine les couleurs rouge, vert, bleu et blanc pour créer une couleur personnalisée (0-100%)	
	GREEN				
	BLUE				
	WHITE				
	ZOOM				
	STROBE				
ADDRESS	001-512			Sélectionne l'adresse DMX de départ	
AUTO PROGRAM	AUTO 1-10	SPEED 0-255		10 programmes automatiques	
	PROGRAM 1-10			10 programmes automatiques	
RUN MODE	DMX			Mode DMX	
	SLAVE			Mode maître/esclave	
ZOOM MODE	ZOOM MODE 1			Fonctionnement normal	
	ZOOM MODE 2			Recommandé pour une utilisation inférieure à 40 ° F	
PERSONALITY	HSIC			9 canaux: gradateur, teintes, teintes fin, saturation, balance de blancs, stroboscope, zoom, réinitialisation du zoom, vitesse de gradateur	
	SSP			9 canaux: gradateur, rouge, vert, bleu, blanc, stroboscope, zoom, réinitialisation du zoom, vitesse de gradateur	
	TOUR			12 canaux: gradateur, rouge, vert, bleu, blanc, macros de couleurs + balance des blancs, stroboscope, programmes, vitesse auto, zoom, réinitialisation du zoom, vitesse de gradateur	
	TR16			17 canaux: 16-bit gradateur, 16-bit RVBB, macros de couleurs + balance des blancs, stroboscope, programmes, vitesse auto, zoom, réinitialisation du zoom, vitesse de gradateur	
	STD.Y			17 canaux: 16-bit gradateur et RVBB, macros de couleurs + balance des blancs, stroboscope, programmes, vitesse auto, zoom, réinitialisation du zoom, vitesse de gradateur	
EDIT	PROGRAM 1-10	SCENE-01-30	RED	0-255	Combine les couleurs rouge, vert, bleu et blanc pour créer une couleur personnalisée (0-100%)
			GREEN		
			BLUE		
			WHITE		
			ZOOM		
			STROBE		
			TIME		
			FADE		
			Change l'angle du faisceau (zoom)		
			Sélectionne la fréquence du stroboscope (0-25 Hz)		
			Définissez la durée de l'étape (lent à rapide)		
			Définissez la durée du fondu (lent à rapide)		

Nivel Principal	Niveles de Programación				Descripción	
SETTING	**** (Saisir le code d'accès)	UPLOAD	**** (Saisir le code d'accès)	SEND	Télécharge les programmes personnalisés sur d'autres COLORado 1 Solos	
		RESET	**** (Saisir le code d'accès)		Retour aux réglages d'usine par défaut	
		DIMMER		OFF		Pas de gradateur
				DIM4		Profil de gradation
				DIM3		
				DIM2		
		DMX ERROR		SAVE		En cas de perte de commande DMX, la dernière commande se maintiendra
				BLACK		Met l'unité en noir général en cas de perte de signal DMX
		PWM		600HZ		Permet de sélectionner la fréquence de sortie PWM
				1200HZ		
	2000HZ					
	2400HZ					
	6000HZ					
	18000HZ					
SETTING	**** (Saisir le code d'accès)	FULL POWER CCT	Warm White		Définit la température de couleur lorsque tous les potentiomètres de couleur sont réglés sur 100%.	
			Neutral White			
			Cool White#1			
			Cool White#2			
		NORMAL	Réglage manuel de température de couleur			
XY OFFSET		HIDE		Affiche et masque les paramètres XY dans l'option de menu PWM		
		SHOW				
KEY		OFF	ON		Active ou désactive le mot de passe	
CALIB.C	**** (Saisir le code d'accès)	WHITE	WHITE 01-13	X FINE Y FINE	+/- 200	Modifie les couleurs des macros utilisées dans les personnalités TOUR, HSIC, TR16, et STD.Y
INFO		VERSION		V....		Affiche la version du logiciel installée
	RDM	UID			Affiche UID actuel #
		LABEL		COLORADO 1SOLO		Nom produit

Valeurs DMX
STD.Y

Canal	Fonction	Valeur	Pourcentage/Configuration
1	Gradateur	000 ⇔ 255	0-100%
2	Gradateur fin	000 ⇔ 255	0-100% (Durée de pas si Personnalisé 1-10 est activé dans canal 13)
3	Rouge	000 ⇔ 255	0-100% (Durée du fond si Personnalisé 1-10 est activé dans canal 13)
4	Rouge fin	000 ⇔ 255	0-100%
5	Vert	000 ⇔ 255	0-100%
6	Vert fin	000 ⇔ 255	0-100%
7	Bleu	000 ⇔ 255	0-100%
8	Bleu fin	000 ⇔ 255	0-100%
9	Blanc	000 ⇔ 255	0-100%
10	Blanc fin	000 ⇔ 255	0-100%
11	Macros de couleurs + Balance des blancs	000 ⇔ 010	Pas de fonction
		011 ⇔ 030	R:100% V: 0-100% B: 0
		031 ⇔ 050	R:100%-0 V: 100% B: 0
		051 ⇔ 070	R:0 V: 100% B: 0-100%
		071 ⇔ 090	R:0 V: 100%-0 B: 100%
		091 ⇔ 110	R:0-100% V: 0 B: 100%
		111 ⇔ 130	R:100% V: 0 B: 100%-0
		131 ⇔ 150	R:100% V: 0-100% B: 0-100%
		151 ⇔ 170	R:100%-0 V: 100%-0 B: 100%
		171 ⇔ 195	RVBB: 100%
		196 ⇔ 200	Blanc 1
		201 ⇔ 205	Blanc 2
		206 ⇔ 210	Blanc 3
		211 ⇔ 215	Blanc 4
		216 ⇔ 220	Blanc 5
		221 ⇔ 225	Blanc 6
		226 ⇔ 230	Blanc 7
231 ⇔ 235	Blanc 8		
236 ⇔ 240	Blanc 9		
241 ⇔ 245	Blanc 10		
246 ⇔ 250	Blanc 11		
251 ⇔ 255	Blanc 12		
12	Stroboscope	000 ⇔ 009	Pas de fonction
		010 ⇔ 099	0-25 Hz
		100 ⇔ 109	Pas de fonction
		110 ⇔ 179	Effet d'éclairage
		180 ⇔ 189	Pas de fonction
		190 ⇔ 255	Aléatoire
13	Programmes	000 ⇔ 040	Pas de fonction
		041 ⇔ 050	Auto 1
		051 ⇔ 060	Auto 2
		061 ⇔ 070	Auto 3
		071 ⇔ 080	Auto 4
		081 ⇔ 090	Auto 5
		091 ⇔ 100	Auto 6
		101 ⇔ 110	Auto 7
		111 ⇔ 120	Auto 8
		121 ⇔ 130	Auto 9
		131 ⇔ 140	Auto 10
		141 ⇔ 150	Personnalisé 1
		151 ⇔ 160	Personnalisé 2
		161 ⇔ 170	Personnalisé 3
		171 ⇔ 180	Personnalisé 4
		181 ⇔ 190	Personnalisé 5
		191 ⇔ 200	Personnalisé 6
201 ⇔ 210	Personnalisé 7		
211 ⇔ 220	Personnalisé 8		
221 ⇔ 230	Personnalisé 9		
231 ⇔ 255	Personnalisé 10		

FR

Canal	Fonction	Valeur	Pourcentage/Configuration
14	Vitesse auto	000 ⇔ 255	0-100% (seulement et utilisation avec Auto 1-10 dans Canal 13)
15	Zoom	000 ⇔ 255	0-100%
16	Réinitialisation du zoom	000 ⇔ 200 201 ⇔ 220 221 ⇔ 255	Pas de fonction Réinitialisation du zoom Pas de fonction
17	Vitesse du gradateur	000 ⇔ 009 010 ⇔ 029 030 ⇔ 069 070 ⇔ 129 130 ⇔ 189 190 ⇔ 255	Vitesse du gradateur prédéfinie depuis le menu Gradateur linéaire Courbe de gradation non linéaire 1 (la plus rapide) Courbe de gradation non linéaire 2 Courbe de gradation non linéaire 3 Courbe de gradation non linéaire 4 (le plus lent)

TR16

Canal	Fonction	Valeur	Pourcentage/Configuration
1	Gradateur	000 ⇔ 255	0-100%
2	Gradateur fin	000 ⇔ 255	0-100% (Durée de pas si Personnalisé 1-10 est activé dans canal 13)
3	Rouge	000 ⇔ 255	0-100% (Durée du fond si Personnalisé 1-10 est activé dans canal 13)
4	Rouge fin	000 ⇔ 255	0-100%
5	Vert	000 ⇔ 255	0-100%
6	Vert fin	000 ⇔ 255	0-100%
7	Bleu	000 ⇔ 255	0-100%
8	Bleu fin	000 ⇔ 255	0-100%
9	Blanc	000 ⇔ 255	0-100%
10	Blanc fin	000 ⇔ 255	0-100%
11	Macros de couleurs + Balance des blancs	000 ⇔ 010 011 ⇔ 030 031 ⇔ 050 051 ⇔ 070 071 ⇔ 090 091 ⇔ 110 111 ⇔ 130 131 ⇔ 150 151 ⇔ 170 171 ⇔ 195 196 ⇔ 200 201 ⇔ 205 206 ⇔ 210 211 ⇔ 215 216 ⇔ 220 221 ⇔ 225 226 ⇔ 230 231 ⇔ 235 236 ⇔ 240 241 ⇔ 245 246 ⇔ 250 251 ⇔ 255	Pas de fonction R:100% V: 0-100% B: 0 R:100%-0 V: 100% B: 0 R:0 V: 100% B: 0-100% R:0 V: 100%-0 B: 100% R:0-100% V: 0 B: 100% R:100% V: 0 B: 100%-0 R:100% V: 0-100% B: 0-100% R:100%-0 V: 100%-0 B: 100% RVBb: 100% Blanc 1 Blanc 2 Blanc 3 Blanc 4 Blanc 5 Blanc 6 Blanc 7 Blanc 8 Blanc 9 Blanc 10 Blanc 11 Blanc 12
12	Stroboscope	000 ⇔ 009 010 ⇔ 099 100 ⇔ 109 110 ⇔ 179 180 ⇔ 189 190 ⇔ 255	Pas de fonction Lent à rapide Pas de fonction Effet d'éclairage, lent à rapide Pas de fonction Aléatoire

Canal	Fonction	Valeur	Pourcentage/Configuration
13	Programmes	000 ⇔ 040	Pas de fonction
		041 ⇔ 050	Auto 1
		051 ⇔ 060	Auto 2
		061 ⇔ 070	Auto 3
		071 ⇔ 080	Auto 4
		081 ⇔ 090	Auto 5
		091 ⇔ 100	Auto 6
		101 ⇔ 110	Auto 7
		111 ⇔ 120	Auto 8
		121 ⇔ 130	Auto 9
		131 ⇔ 140	Auto 10
		141 ⇔ 150	Personnalisé 1
		151 ⇔ 160	Personnalisé 2
		161 ⇔ 170	Personnalisé 3
		171 ⇔ 180	Personnalisé 4
181 ⇔ 190	Personnalisé 5		
191 ⇔ 200	Personnalisé 6		
201 ⇔ 210	Personnalisé 7		
211 ⇔ 220	Personnalisé 8		
221 ⇔ 230	Personnalisé 9		
231 ⇔ 255	Personnalisé 10		
14	Vitesse auto	000 ⇔ 255	0-100%
15	Zoom	000 ⇔ 255	0-100%
16	Réinitialisation du zoom	000 ⇔ 200	Pas de fonction
		201 ⇔ 220	Réinitialisation du zoom
		221 ⇔ 255	Pas de fonction
17	Vitesse du gradateur	000 ⇔ 009	Vitesse du gradateur prédéfinie depuis le menu gradateur linéaire
		010 ⇔ 029	
		030 ⇔ 069	Courbe de gradation non linéaire 1 (la plus rapide)
		070 ⇔ 129	Courbe de gradation non linéaire 2
		130 ⇔ 189	Courbe de gradation non linéaire 3
190 ⇔ 255	Courbe de gradation non linéaire 4 (la moins rapide)		

TOUR

Canal	Fonction	Valeur	Pourcentage/Configuration
1	Gradateur	000 ⇔ 255	0-100%
2	Rouge	000 ⇔ 255	0-100% (Durée de pas si Personnalisé 1-10 est activé dans canal 8)
3	Vert	000 ⇔ 255	0-100% (Durée du fond si Personnalisé 1-10 est activé dans canal 8)
4	Bleu	000 ⇔ 255	0-100%
5	Blanc	000 ⇔ 255	0-100%
6	Macros de couleurs + Balance des blancs	000 ⇔ 010	Pas de fonction
		011 ⇔ 030	R:100% V: 0-100% B: 0
		031 ⇔ 050	R:100%-0 V: 100% B: 0
		051 ⇔ 070	R:0 V: 100% B: 0-100%
		071 ⇔ 090	R:0 V: 100%-0 B: 100%
		091 ⇔ 110	R:0-100% V: 0 B: 100%
		111 ⇔ 130	R:100% V: 0 B: 100%-0
		131 ⇔ 150	R:100% V: 0-100% B: 0-100%
		151 ⇔ 170	R:100%-0 V: 100%-0 B: 100%
		171 ⇔ 195	RVBB: 100%
		196 ⇔ 200	Blanc 1
		201 ⇔ 205	Blanc 2
		206 ⇔ 210	Blanc 3
		211 ⇔ 215	Blanc 4
		216 ⇔ 220	Blanc 5
		221 ⇔ 225	Blanc 6
		226 ⇔ 230	Blanc 7
		231 ⇔ 235	Blanc 8
236 ⇔ 240	Blanc 9		
241 ⇔ 245	Blanc 10		
246 ⇔ 250	Blanc 11		
251 ⇔ 255	Blanc 12		

FR

Canal	Fonction	Valeur	Pourcentage/Configuration
7	Stroboscope	000 ⇄ 009	Pas de fonction
		010 ⇄ 099	0-25 Hz
		100 ⇄ 109	Pas de fonction
		110 ⇄ 179	Effet d'éclairage
		180 ⇄ 189	Pas de fonction
		190 ⇄ 255	Aléatoire
8	Programmes	000 ⇄ 040	Pas de fonction
		041 ⇄ 050	Auto 1
		051 ⇄ 060	Auto 2
		061 ⇄ 070	Auto 3
		071 ⇄ 080	Auto 4
		081 ⇄ 090	Auto 5
		091 ⇄ 100	Auto 6
		101 ⇄ 110	Auto 7
		111 ⇄ 120	Auto 8
		121 ⇄ 130	Auto 9
		131 ⇄ 140	Auto 10
		141 ⇄ 150	Personnalisé 1
		151 ⇄ 160	Personnalisé 2
		161 ⇄ 170	Personnalisé 3
		171 ⇄ 180	Personnalisé 4
		181 ⇄ 190	Personnalisé 5
191 ⇄ 200	Personnalisé 6		
201 ⇄ 210	Personnalisé 7		
211 ⇄ 220	Personnalisé 8		
221 ⇄ 230	Personnalisé 9		
231 ⇄ 255	Personnalisé 10		
9	Vitesse auto	000 ⇄ 255	0-100%
10	Zoom	000 ⇄ 255	0-100%
11	Réinitialisation du zoom	000 ⇄ 200	Pas de fonction
		201 ⇄ 220	Réinitialisation du zoom
		221 ⇄ 255	Pas de fonction
12	Vitesse du gradateur	000 ⇄ 009	Vitesse du gradateur prédéfinie depuis le menu
		010 ⇄ 029	Gradateur linéaire
		030 ⇄ 069	Courbe de gradation non linéaire 1 (le plus rapide)
		070 ⇄ 129	Courbe de gradation non linéaire 2
		130 ⇄ 189	Courbe de gradation non linéaire 3
		190 ⇄ 255	Courbe de gradation non linéaire 4 (le moins rapide)

SSP

Canal	Fonction	Valeur	Pourcentage/Configuration
1	Gradateur	000 ⇄ 255	0-100%
2	Rouge	000 ⇄ 255	0-100%
3	Vert	000 ⇄ 255	0-100%
4	Bleu	000 ⇄ 255	0-100%
5	Blanc	000 ⇄ 255	0-100%
6	Stroboscope	000 ⇄ 009	Pas de fonction
		010 ⇄ 099	0-25 Hz
		100 ⇄ 109	Pas de fonction
		110 ⇄ 179	Effet d'éclairage
		180 ⇄ 189	Pas de fonction
		190 ⇄ 255	Aléatoire
7	Zoom	000 ⇄ 255	0-100%
8	Réinitialisation du zoom	000 ⇄ 200	Pas de fonction
		201 ⇄ 220	Réinitialisation du zoom
		221 ⇄ 255	Pas de fonction
9	Vitesse du gradateur	000 ⇄ 009	Vitesse du gradateur prédéfinie depuis le menu
		010 ⇄ 029	Gradateur linéaire
		030 ⇄ 069	Courbe de gradation non linéaire 1 (la plus rapide)
		070 ⇄ 129	Courbe de gradation non linéaire 2
		130 ⇄ 189	Courbe de gradation non linéaire 3
		190 ⇄ 255	Courbe de gradation non linéaire 4 (la moins rapide)

HSIC

Cana	Fonction	Valeur	Pourcentage/Configuration
1	Gradateur	000 ⇔ 255	0-100%
2	Teintes	000 ⇔ 255	0-100%
3	Teintes fin	000 ⇔ 255	0-100%
4	Saturation	000 ⇔ 255	0-100%
5	Balance des blancs	000 ⇔ 010	Pas de fonction
		011 ⇔ 030	Blanc 1
		031 ⇔ 050	Blanc 2
		051 ⇔ 070	Blanc 3
		071 ⇔ 090	Blanc 4
		091 ⇔ 110	Blanc 5
		111 ⇔ 130	Blanc 6
		131 ⇔ 150	Blanc 7
		151 ⇔ 170	Blanc 8
		171 ⇔ 190	Blanc 9
		191 ⇔ 210	Blanc 10
		211 ⇔ 230	Blanc 11
		231 ⇔ 255	Blanc 12
6	Stroboscope	000 ⇔ 009	Pas de fonction
		010 ⇔ 099	Lent à rapide
		100 ⇔ 109	Pas de fonction
		110 ⇔ 179	Effet d'éclairage, lent à rapide
		180 ⇔ 189	Pas de fonction
		190 ⇔ 255	Aléatoire
7	Zoom	000 ⇔ 255	0-100%
8	Réinitialisation du zoom	000 ⇔ 200	Pas de fonction
		201 ⇔ 220	Réinitialisation du zoom
		221 ⇔ 255	Pas de fonction
9	Vitesse du gradateur	000 ⇔ 009	Vitesse du gradateur prédéfinie depuis le menu
		010 ⇔ 029	Gradateur linéaire
		030 ⇔ 069	Courbe de gradation non linéaire 1 (la plus rapide)
		070 ⇔ 129	Courbe de gradation non linéaire 2
		130 ⇔ 189	Courbe de gradation non linéaire 3
		190 ⇔ 255	Courbe de gradation non linéaire 4 (la plus lent)

Over deze handleiding

De COLORado 1 Solo Beknopte Handleiding (BH) bevat basisinformatie over het product, zoals aansluiting, montage, menu-opties en DMX-waarden. Download de gebruikershandleiding op www.chauvetprofessional.com voor meer informatie.

Disclaimer

De informatie en specificaties in deze BH kunnen zonder voorafgaande kennisgeving worden gewijzigd.

BEPERKTE GARANTIE

GA NAAR ONZE WEBSITE VOOR REGISTRATIE VAN DE GARANTIE EN DE VOLLEDIGE ALGEMENE VOORWAARDEN.

Voor klanten in de Verenigde Staten en Mexico: www.chauvetlighting.com/warranty-registration

Voor klanten in het Verenigd Koninkrijk, Ierland, België, Nederland, Luxemburg, Frankrijk en Duitsland: www.chauvetlighting.eu/warranty-registration/

Chauvet garandeert dat dit product bij normaal gebruik vrij zal blijven van defecten in materiaal en vakmanschap, voor de opgegeven periode en onder voorbehoud van de uitzonderingen en beperkingen die zijn uiteengezet in de volledige beperkte garantie op onze website. Deze garantie geldt uitsluitend voor de oorspronkelijke koper van het product en is niet overdraagbaar. Om onder deze garantie rechten uit te oefenen, moet u een aankoopbewijs overleggen in de vorm van een origineel verkoopbewijs van een geautoriseerde dealer, waarop de naam van het product en de aankoopdatum zichtbaar zijn. ER ZIJN GEEN ANDERE EXPLICIETE OF IMPLICIETE GARANTIES. Deze garantie geeft u specifieke wettelijke rechten. Mogelijk heeft u ook andere rechten die van staat tot staat en van land tot land verschillen. Deze garantie is uitsluitend geldig in de Verenigde Staten, het Verenigd Koninkrijk, Ierland, België, Nederland, Luxemburg, Frankrijk, Duitsland en Mexico. Neem contact op met uw lokale verkoper voor garantievoorwaarden in andere landen.

Veiligheids instructies

- Open het product NIET. Het bevat geen te onderhouden onderdelen.
- Om onnodige slijtage te elimineren en zijn levensduur te verlengen, gedurende perioden wanneer het product niet wordt gebruikt, moet u het product van de stroom afsluiten door een aardlekschakelaar om te zetten of door het te ontkoppelen.
- KIJK NIET in de lichtbron wanneer het apparaat is ingeschakeld.
- LET OP: De behuizing van dit product kan heet zijn wanneer het in bedrijf is.
- Monteer dit product op een plek met voldoende ventilatie, ten minste 50 cm van de aangrenzende oppervlakken.
- Plaats geen ontvlambaar materiaal binnen 50 cm van dit product als het in gebruik is of is aangesloten op het stopcontact.
- LET OP: Bij het verplaatsen van het product uit extreme omgevingen, (bijv. koude vrachtwagen naar warme, vochtige balzaal) kan er condensvorming optreden op de elektronica van het product. Om storingen te vermijden moet het product volledig kunnen acclimatiseren aan de omgeving voordat het op stroom wordt aangesloten.
- Niet voor permanente buiteninstallatie in locaties met extreme weersomstandigheden. Dit is met inbegrip van, maar niet beperkt tot:
 - Blootstelling aan een marien/zout milieu (binnen 5 km van zout water).
 - Waar de gebruikelijke hoge of lage temperaturen van de locatie de temperatuurbereiken in deze handleiding overschrijden.
 - Locaties die kunnen overstromen of onder sneeuw begraven kunnen worden.
 - Andere gebieden waar het product blootstaat aan extreme straling of bijtende substanties.
- GEBRUIK een veiligheidskabel bij het boven het hoofd plaatsen van dit product.
- Dit product NIET onderdompelen (IP65). Regelmatig gebruik buitenshuis is prima.
- Gebruik dit product NIET als de behuizing, lenzen of kabels beschadigd lijken.
- Sluit dit product NIET aan op een dimmer of een regelweerstand.
- Sluit dit product UITSLUITEND op een geaard en beveiligd stroomcircuit.
- Gebruik UITSLUITEND de ophang-/montagebeugel om dit product te dragen.
- Stop in het geval van ernstige operationele problemen onmiddellijk met het gebruik.
- De maximale omgevingstemperatuur bedraagt 45 °C. Gebruik dit product niet bij hogere temperaturen.

FCC-naleving

Dit apparaat voldoet aan Part 15 Part B van de FCC-regels. Het gebruik is onderworpen aan de volgende twee voorwaarden:

1. Dit apparaat mag geen schadelijke interferentie veroorzaken, en
2. Dit apparaat moet enige ontvangen interferentie accepteren, inclusief interferentie die een ongewenste werking kan veroorzaken.

Eventuele wijzigingen of aanpassingen die niet uitdrukkelijk door de voor naleving verantwoordelijke partij zijn goedgekeurd, kan de bevoegdheid van de gebruiker om de apparatuur te bedienen ongeldig verklaren.

Contact

Van buiten de VS, Verenigd Koninkrijk, Ierland, Benelux, Frankrijk, Duitsland of Mexico kunt u contact opnemen met de distributeur of om ondersteuning vragen dan wel het product retourneren. Ga naar [Contact Us](#) voor contactinformatie.

Wat is inbegrepen

- COLORado 1 Solo
- Seetronic Powerkon IP65 stroomsnoer
- Beknopte handleiding

AC-stroom

Dit product heeft een voeding met automatisch bereik die werkt met een ingangsspanning van 100–240 VAC, 50/60 Hz.

Power Linking

U kunt tot 12 COLORado 1 Solo-producten koppelen bij 120 V, 21 COLORado 1 Solo-producten koppelen bij 208 V, of 23 producten bij 230 V. Dit aantal niet overschrijden. Power Linking-snoeren kunnen apart aangeschaft worden.

AC-stekker

Aansluiting	Snoer (VS)	Snoer (Europa)	Schroefkleur
AC Live	Zwart	Bruin	Geel/messing
AC Neutraal	Wit	Blauw	Zilver
AC Aarde	Groen/geel	Groen/geel	Groen



- **Om onnodige slijtage te elimineren en zijn levensduur te verlengen, gedurende perioden wanneer het product niet wordt gebruikt, moet u het product van de stroom afsluiten door een aardlekschakelaar om te zetten of door het te ontkoppelen.**
- **Wanneer dit product buiten wordt gebruikt moeten stroom- en gegevenskabels met een IP65-certificering (of hoger) worden gebruikt. Zorg ervoor dat ongebruikte stroom- en gegevenspoorten worden afgesloten met de aangehechte IP65-afdekkingen.**

DMX-koppeling

De COLORado 1 Solo kan met een DMX-controller werken met een normale DMX seriële verbinding. Op www.chauvetprofessional.com is een DMX basishandleiding verkrijgbaar.

DMX-aansluiting

De COLORado 1 Solo gebruikt een normale DMX-gegevensverbinding voor zijn DMX-persoonlijkheden: **STD.Y, TOUR, TR16, SSP** en **HSIC**. Zie de gebruikershandleiding om te verbinden en te configureren voor DMX-werking.



Wanneer dit product buiten wordt gebruikt in een omgeving die die een IP65-certificering vereist, moet er ook worden gezorgd dat er gegevenskabels met IP65-certificering of hoger worden gebruikt en moeten de ongebruikte poorten worden afgedekt met de vastgehechte IP65-afdekkingen.



Let op: Voor optimale bediening van de 16-bit dimkanalen in de persoonlijkheden TR16 en STD.Y, moet u controleren dat beide dimcurven in SET > DIM en SET > CURV zijn ingesteld naar uit.

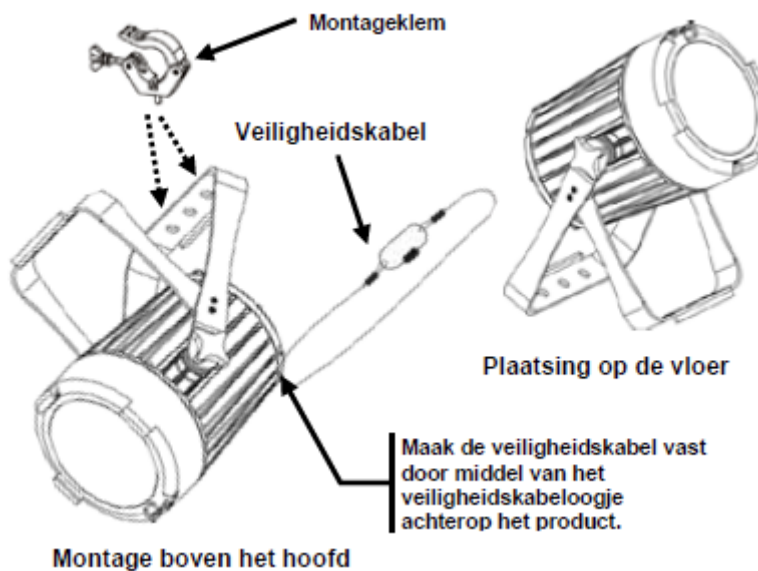
Master/slave-verbinding

De COLORado 1 Solo maakt gebruik van de DMX-dataverbinding voor haar Master-/Slave-modus. Zie de gebruikershandleiding om te verbinden en te configureren voor Master/Slave-werking.

Montage

Lees alvorens dit product te monteren alle [Veiligheids instructies](#). Controleer of de montageklem het gewicht van het product kan dragen. Ga voor onze Chauvet-serie montageklemmen naar <http://trusst.com/productcategory/truss-clamps/>

Montagediagram van het product



Beschrijving bedienings paneel

Toets	Functie
<MENU>	Sluit het huidige menu of functie af
<ENTER>	Activeert het huidige getoonde menu of plaatst de huidige geselecteerde waarde in de geselecteerde functie
<UP>	Navigeert omhoog via het menu of verhoogt de numerieke waarde wanneer in een functie
<DOWN>	Navigeert omlaag via het menu of verlaagt de numerieke waarde wanneer in een functie

Toegangscodes

Vul na dat gevraagd te worden de volgende toegangscodes in door te drukken op:

<UP>, <DOWN>, <UP>, <DOWN>, <ENTER>

Dit toegangscodes kan niet gewijzigd worden en moet indien gevraagd ingevuld worden.

Menu opties

 Raadpleeg de productpagina van COLORado 1 Solo op www.chauvetprofessional.com voor de nieuwste menukaart.

Hoofdniveau	Programmeerniveaus			Beschrijving		
STATIC	RED			0-255	Combineert rood, groen, blauw en wit om een aangepaste kleur te maken (0-100%)	
	GREEN					
	BLUE					
	WHITE					
	ZOOM				Wijzigt de stralingshoek (zoom)	
	STROBE				Selecteert de stroboscoopfrequentie (0-25 Hz)	
ADDRESS	001-512			Selecteert het DMX-startadres		
AUTO PROGRAM	AUTO 1-10		SPEED 0-255	10 automatische programma's		
	PROGRAM 1-10			10 instelbare programma's		
RUN MODE	DMX			DMX-modus		
	SLAVE			Master/Slave-modus		
ZOOM MODE	ZOOM MODE 1			Normale operatie		
	ZOOM MODE 2			Aanbevolen voor gebruik onder 40 ° F		
PERSONALITY	HSIC			9-channel: H/S/CCT dimmer, zoom, zoomherstel, stroboscoop, dimmersnelheid		
	SSP			9-kanaals: RGBW, dimmer, zoom, zoomherstel, stroboscoop, dimmersnelheid		
	TOUR			12-kanaals: RGBW, dimmer, stroboscoop, kleurenmacro, auto/aangepast, dimmersnelheid, autosnelheid, zoom, zoomherstel		
	TR16			17-kanaals: 16-bit RGBW en dimmer; stroboscoop, kleurenmacro, auto/aangepast, dimmersnelheid, autosnelheid, zoom, zoomherstel		
	STD.Y			17-kanaals: 16-bit RGBW en dimmer; stroboscoop, kleurenmacro, auto/aangepast, dimmersnelheid, autosnelheid, zoom, zoomherstel		
EDIT	PROGRAM 1-10	SCENE-01-30	RED	0-255	Combineert rood, groen, blauw en wit om een aangepaste kleur te genereren (0-100%)	
			GREEN			
			BLUE			
			WHITE			
			ZOOM			Selecteert de stralingshoek (zoom)
			STROBE			Selecteert de stroboscoopfrequentie (0-20 Hz)
			TIME			Definieert de stapduur (langzaam tot snel)
			FADE			Definieert de fadeduur (langzaam tot snel)

Hoofdniveau	Programmeerniveaus				Beschrijving	
SETTING	**** (Toegang- scode invullen)	UPLOAD		**** (Toegang- scode invullen)	SEND	Uploadt aangepaste programma's naar andere COLORado 1 Solo-producten
		RESET		**** (Toegang- scode invullen)		Herstelt product naar de fabrieksinstellingen
		DIMMER		OFF		Geen dimmer
				DIM4		Dimmerprofielen
				DIM3		
				DIM2		
		DMX ERROR		SAVE		Gaat verder met de laatste opdracht na verlies van DMX-regeling
				BLACK		Verduistert de armatuur na verlies van DMX
		PWM		600HZ		Selecteert de PWM-uitgangsfrequentie
				1200HZ		
				2000HZ		
				2400HZ		
				6000HZ		
				18000HZ		
		FULL POWER CCT		25000HZ		Stelt de kleurtemperatuur in wanneer alle kleurfaders zijn ingesteld naar 100%
				Warm White		
				Neutral White		
				Cool White#1		
XY OFFSET		Cool White#2		Handmatige kleurtemperatuur		
		NORMAL				
KEY		ON		Schakelt de toegangscode aan of uit		
		OFF				
CALIB.C	**** (Toegang- scode invullen)	WHITE	WHITE 01-13	X FINE	+/- 200	Wijzigt de kleurenmacro's die worden gebruikt in de TOUR, HSIC, TR16 en STD.Y-persoonlijkheden
				Y FINE		
INFO	VERSION		V....		Toont de geïnstalleerde softwareversie	
	RDM	UID			Geeft de huidige UID #
		LABEL		COLORADO 1SOLO		Productnaam

DMX-waarden
STD.Y

Kanaal	Functie	Waarde	Percentage/instelling
1	Dimmer	000 ⇄ 255	0-100%
2	Fijne dimmer	000 ⇄ 255	Fijne regeling (16-bit) (Stapduur indien Custom 1–10 in CH. 13 actief is)
3	Rood	000 ⇄ 255	0–100% (Fadeduur indien Custom 1–10 in CH. 13 actief is)
4	Fijn rood	000 ⇄ 255	Fijne regeling (16-bit)
5	Groen	000 ⇄ 255	0-100%
6	Fijn groen	000 ⇄ 255	Fijne regeling (16-bit)
7	Blauw	000 ⇄ 255	0-100%
8	Fijn blauw	000 ⇄ 255	Fijne regeling (16-bit)
9	Wit	000 ⇄ 255	0-100%
10	Fijn wit	000 ⇄ 255	Fijne regeling (16-bit)
11	Kleurenmacro + witbalans	000 ⇄ 010	Geen functie
		011 ⇄ 030	R:100% G: 0-100% B: 0
		031 ⇄ 050	R:100%-0 G: 100% B: 0
		051 ⇄ 070	R:0 G: 100% B: 0-100%
		071 ⇄ 090	R:0 G: 100%-0 B: 100%
		091 ⇄ 110	R:0-100% G: 0 B: 100%
		111 ⇄ 130	R:100% G: 0 B: 100%-0
		131 ⇄ 150	R:100% G: 0-100% B: 0-100%
		151 ⇄ 170	R:100%-0 G: 100%-0 B: 100%
		171 ⇄ 195	RGBW: 100%
		196 ⇄ 200	Wit 1
		201 ⇄ 205	Wit 2
		206 ⇄ 210	Wit 3
		211 ⇄ 215	Wit 4
		216 ⇄ 220	Wit 5
		221 ⇄ 225	Wit 6
		226 ⇄ 230	Wit 7
231 ⇄ 235	Wit 8		
236 ⇄ 240	Wit 9		
241 ⇄ 245	Wit 10		
246 ⇄ 250	Wit 11		
251 ⇄ 255	Wit 12		
12	Stroboscoop	000 ⇄ 009	Geen functie
		010 ⇄ 099	Langzaam tot snel
		100 ⇄ 109	Geen functie
		110 ⇄ 179	Verlichtingseffect, langzaam tot snel
		180 ⇄ 189	Geen functie
		190 ⇄ 255	Willekeurig
13	Programma's	000 ⇄ 040	Geen functie
		041 ⇄ 050	Auto 1
		051 ⇄ 060	Auto 2
		061 ⇄ 070	Auto 3
		071 ⇄ 080	Auto 4
		081 ⇄ 090	Auto 5
		091 ⇄ 100	Auto 6
		101 ⇄ 110	Auto 7
		111 ⇄ 120	Auto 8
		121 ⇄ 130	Auto 9
		131 ⇄ 140	Auto 10
		141 ⇄ 150	Aangepast 1
		151 ⇄ 160	Aangepast 2
		161 ⇄ 170	Aangepast 3
		171 ⇄ 180	Aangepast 4
		181 ⇄ 190	Aangepast 5
		191 ⇄ 200	Aangepast 6
201 ⇄ 210	Aangepast 7		
211 ⇄ 220	Aangepast 8		
221 ⇄ 230	Aangepast 9		
231 ⇄ 255	Aangepast 10		

Kanaal	Functie	Waarde	Percentage/instelling
14	Automatische snelheid	000 ⇔ 255	0-100% (alleen bij gebruik van Auto 1-10 in Ch. 13)
15	Zoom	000 ⇔ 255	0-100%
16	Zoomherstel	000 ⇔ 200 201 ⇔ 220 221 ⇔ 255	Geen functie Zoomherstel Geen functie
17	Dimmersnelheid	000 ⇔ 009 010 ⇔ 029 030 ⇔ 069 070 ⇔ 129 130 ⇔ 189 190 ⇔ 255	Voorinstelling van de dimmersnelheid vanaf het displaymenu Lineaire dimmer Niet-lineaire dimcurve 1 (snelst) Niet-lineaire dimcurve 2 Niet-lineaire dimcurve 3 Niet-lineaire dimcurve 4 (langzaamst)

TR16

Kanaal	Functie	Waarde	Percentage/instelling
1	Dimmer	000 ⇔ 255	0-100%
2	Fijne dimmer	000 ⇔ 255	Fijne regeling (16-bit) (Stapduur indien Custom 1–10 in CH. 13 actief is)
3	Rood	000 ⇔ 255	0–100% (Fadeduur indien Custom 1–10 in CH. 13 actief is)
4	Fijn rood	000 ⇔ 255	Fijne regeling (16-bit)
5	Groen	000 ⇔ 255	0-100%
6	Fijn groen	000 ⇔ 255	Fijne regeling (16-bit)
7	Blauw	000 ⇔ 255	0-100%
8	Fijn blauw	000 ⇔ 255	Fijne regeling (16-bit)
9	Wit	000 ⇔ 255	0-100%
10	Fijn wit	000 ⇔ 255	Fijne regeling (16-bit)
11	Kleurenmacro + witbalans	000 ⇔ 010 011 ⇔ 030 031 ⇔ 050 051 ⇔ 070 071 ⇔ 090 091 ⇔ 110 111 ⇔ 130 131 ⇔ 150 151 ⇔ 170 171 ⇔ 195 196 ⇔ 200 201 ⇔ 205 206 ⇔ 210 211 ⇔ 215 216 ⇔ 220 221 ⇔ 225 226 ⇔ 230 231 ⇔ 235 236 ⇔ 240 241 ⇔ 245 246 ⇔ 250 251 ⇔ 255	Geen functie R:100% G: 0-100% B: 0 R:100%-0 G: 100% B: 0 R:0 G: 100% B: 0-100% R:0 G: 100%-0 B: 100% R:0-100% G: 0 B: 100% R:100% G: 0 B: 100%-0 R:100% G: 0-100% B: 0-100% R:100%-0 G: 100%-0 B: 100% RGBW: 100% Wit 1 Wit 2 Wit 3 Wit 4 Wit 5 Wit 6 Wit 7 Wit 8 Wit 9 Wit 10 Wit 11 Wit 12
12	Stroboscoop	000 ⇔ 009 010 ⇔ 099 100 ⇔ 109 110 ⇔ 179 180 ⇔ 189 190 ⇔ 255	Geen functie Langzaam tot snel Geen functie Verlichtingseffect, langzaam tot snel Geen functie Willekeurig

Kanaal	Functie	Waarde	Percentage/instelling
13	Programma's	000 ⇄ 040	Geen functie
		041 ⇄ 050	Auto 1
		051 ⇄ 060	Auto 2
		061 ⇄ 070	Auto 3
		071 ⇄ 080	Auto 4
		081 ⇄ 090	Auto 5
		091 ⇄ 100	Auto 6
		101 ⇄ 110	Auto 7
		111 ⇄ 120	Auto 8
		121 ⇄ 130	Auto 9
		131 ⇄ 140	Auto 10
		141 ⇄ 150	Aangepast 1
		151 ⇄ 160	Aangepast 2
		161 ⇄ 170	Aangepast 3
		171 ⇄ 180	Aangepast 4
		181 ⇄ 190	Aangepast 5
		191 ⇄ 200	Aangepast 6
		201 ⇄ 210	Aangepast 7
		211 ⇄ 220	Aangepast 8
		221 ⇄ 230	Aangepast 9
231 ⇄ 255	Aangepast 10		
14	Automatische snelheid	000 ⇄ 255	0-100% (alleen bij gebruik van Auto 1-10 in Ch. 13)
15	Zoom	000 ⇄ 255	0-100%
16	Zoomherstel	000 ⇄ 200	Geen functie
		201 ⇄ 220	Zoomherstel
		221 ⇄ 255	Geen functie
17	Dimmersnelheid	000 ⇄ 009	Voorinstelling van de dimmersnelheid vanaf het displaymenu
		010 ⇄ 029	Lineaire dimmer
		030 ⇄ 069	Niet-lineaire dimcurve 1 (snelst)
		070 ⇄ 129	Niet-lineaire dimcurve 2
		130 ⇄ 189	Niet-lineaire dimcurve 3
190 ⇄ 255	Niet-lineaire dimcurve 4 (langzaamst)		

TOUR

Kanaal	Functie	Waarde	Percentage/instelling
1	Dimmer	000 ⇄ 255	0-100%
2	Rood	000 ⇄ 255	0-100% (Stapduur indien Custom 1-10 in CH. 8 actief is)
3	Groen	000 ⇄ 255	0-100% (Fadeduur indien Custom 1-10 in CH. 8 actief is)
4	Blauw	000 ⇄ 255	0-100%
5	Wit	000 ⇄ 255	0-100%
6	Kleurenmacro + witbalans	000 ⇄ 010	Geen functie
		011 ⇄ 030	R:100% G: 0-100% B: 0
		031 ⇄ 050	R:100%-0 G: 100% B: 0
		051 ⇄ 070	R:0 G: 100% B: 0-100%
		071 ⇄ 090	R:0 G: 100%-0 B: 100%
		091 ⇄ 110	R:0-100% G: 0 B: 100%
		111 ⇄ 130	R:100% G: 0 B: 100%-0
		131 ⇄ 150	R:100% G: 0-100% B: 0-100%
		151 ⇄ 170	R:100%-0 G: 100%-0 B: 100%
		171 ⇄ 195	RGBW: 100%
		196 ⇄ 200	Wit 1
		201 ⇄ 205	Wit 2
		206 ⇄ 210	Wit 3
		211 ⇄ 215	Wit 4
		216 ⇄ 220	Wit 5
		221 ⇄ 225	Wit 6
		226 ⇄ 230	Wit 7
		231 ⇄ 235	Wit 8
		236 ⇄ 240	Wit 9
		241 ⇄ 245	Wit 10
246 ⇄ 250	Wit 11		
251 ⇄ 255	Wit 12		

Kanaal	Functie	Waarde	Percentage/instelling
7	Stroboscoop	000 ⇄ 009	Geen functie
		010 ⇄ 099	0-25 Hz
		100 ⇄ 109	Geen functie
		110 ⇄ 179	Verlichtingseffect
		180 ⇄ 189	Geen functie
		190 ⇄ 255	Willekeurig
8	Programma's	000 ⇄ 040	Geen functie
		041 ⇄ 050	Auto 1
		051 ⇄ 060	Auto 2
		061 ⇄ 070	Auto 3
		071 ⇄ 080	Auto 4
		081 ⇄ 090	Auto 5
		091 ⇄ 100	Auto 6
		101 ⇄ 110	Auto 7
		111 ⇄ 120	Auto 8
		121 ⇄ 130	Auto 9
		131 ⇄ 140	Auto 10
		141 ⇄ 150	Aangepast 1
		151 ⇄ 160	Aangepast 2
		161 ⇄ 170	Aangepast 3
		171 ⇄ 180	Aangepast 4
		181 ⇄ 190	Aangepast 5
		191 ⇄ 200	Aangepast 6
		201 ⇄ 210	Aangepast 7
211 ⇄ 220	Aangepast 8		
221 ⇄ 230	Aangepast 9		
231 ⇄ 255	Aangepast 10		
9	Automatische snelheid	000 ⇄ 255	0-100% (alleen bij gebruik van Auto 1-10 in Ch.8)
10	Zoom	000 ⇄ 255	0-100%
11	Zoomherstel	000 ⇄ 200	Geen functie
		201 ⇄ 220	Zoomherstel
		221 ⇄ 255	Geen functie
12	Dimmersnelheid	000 ⇄ 009	Voorinstelling van de dimmersnelheid vanaf het displaymenu
		010 ⇄ 029	Lineaire dimmer
		030 ⇄ 069	Niet-lineaire dimcurve 1 (snelst)
		070 ⇄ 129	Niet-lineaire dimcurve 2
		130 ⇄ 189	Niet-lineaire dimcurve 3
		190 ⇄ 255	Niet-lineaire dimcurve 4 (langzaamst)

SSP

Kanaal	Functie	Waarde	Percentage/instelling
1	Dimmer	000 ⇔ 255	0-100%
2	Rood	000 ⇔ 255	0-100%
3	Groen	000 ⇔ 255	0-100%
4	Blauw	000 ⇔ 255	0-100%
5	Wit	000 ⇔ 255	0-100%
6	Stroboscoop	000 ⇔ 009	Geen functie
		010 ⇔ 099	0-25 Hz
		100 ⇔ 109	Geen functie
		110 ⇔ 179	Verlichtingseffect
		180 ⇔ 189	Geen functie
190 ⇔ 255	Willekeurig		
7	Zoom	000 ⇔ 255	0-100%
8	Zoomherstel	000 ⇔ 200	Geen functie
		201 ⇔ 220	Zoomherstel
		221 ⇔ 255	Geen functie
9	Dimmersnelheid	000 ⇔ 009	Voorinstelling van de dimmersnelheid vanaf het displaymenu
		010 ⇔ 029	Lineaire dimmer
		030 ⇔ 069	Niet-lineaire dimcurve 1 (snelst)
		070 ⇔ 129	Niet-lineaire dimcurve 2
		130 ⇔ 189	Niet-lineaire dimcurve 3
190 ⇔ 255	Niet-lineaire dimcurve 4 (langzaamst)		

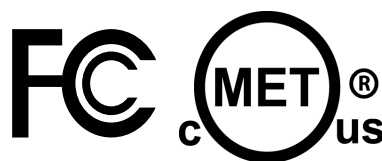
HSIC

Kanaal	Functie	Waarde	Percentage/instelling
1	Dimmer	000 ⇔ 255	0-100%
2	Tint	000 ⇔ 255	0-100%
3	Fijn Tint	000 ⇔ 255	Fijne regeling (16-bit)
4	Verzadiging	000 ⇔ 255	0-100%
5	Witbalans	000 ⇔ 010	Geen functie
		011 ⇔ 030	Wit 1
		031 ⇔ 050	Wit 2
		051 ⇔ 070	Wit 3
		071 ⇔ 090	Wit 4
		091 ⇔ 110	Wit 5
		111 ⇔ 130	Wit 6
		131 ⇔ 150	Wit 7
		151 ⇔ 170	Wit 8
		171 ⇔ 190	Wit 9
		191 ⇔ 210	Wit 10
		211 ⇔ 230	Wit 11
231 ⇔ 255	Wit 12		
6	Stroboscoop	000 ⇔ 009	Geen functie
		010 ⇔ 099	0-25 Hz
		100 ⇔ 109	Geen functie
		110 ⇔ 179	Verlichtingseffect
		180 ⇔ 189	Geen functie
190 ⇔ 255	Willekeurig		
7	Zoom	000 ⇔ 255	0-100%
8	Zoomherstel	000 ⇔ 200	Geen functie
		201 ⇔ 220	Zoomherstel
		221 ⇔ 255	Geen functie
9	Dimmersnelheid	000 ⇔ 009	Voorinstelling van de dimmersnelheid vanaf het displaymenu
		010 ⇔ 029	Lineaire dimmer
		030 ⇔ 069	Niet-lineaire dimcurve 1 (snelst)
		070 ⇔ 129	Niet-lineaire dimcurve 2
		130 ⇔ 189	Niet-lineaire dimcurve 3
190 ⇔ 255	Niet-lineaire dimcurve 4 (langzaamst)		

Contact Us

General Information	Technical Support
Chauvet World Headquarters	
Address: 5200 NW 108th Ave. Sunrise, FL 33351 Voice: (954) 577-4455 Fax: (954) 929-5560 Toll Free: (800) 762-1084	Voice: (844) 393-7575 Fax: (954) 756-8015 Email: chauvetcs@chauvetlighting.com Website: www.chauvetprofessional.com
Chauvet Europe Ltd	
Address: Unit 1C Brookhill Road Industrial Estate Pinxton, Nottingham, UK NG16 6NT Voice: +44 (0) 1773 511115 Fax: +44 (0) 1773 511110	Email: UKtech@chauvetlighting.eu Website: www.chauvetprofessional.eu
Chauvet Europe BVBA	
Address: Stokstraat 18 9770 Kruishoutem Belgium Voice: +32 9 388 93 97	Email: BNLtech@chauvetlighting.eu Website: www.chauvetprofessional.eu
Chauvet France	
Address: 3, Rue Ampère 91380 Chilly-Mazarin France Voice: +33 1 78 85 33 59	Email: FRtech@chauvetlighting.fr Website: www.chauvetprofessional.eu
Chauvet Germany	
Address: Bruno-Bürgel-Str. 11 28759 Bremen Germany Voice: +49 421 62 60 20	Email: DEtech@chauvetlighting.de Website: www.chauvetprofessional.eu
Chauvet Mexico	
Address: Av. de las Partidas 34 - 3B (Entrance by Calle 2) Zona Industrial Lerma Lerma, Edo. de México, CP 52000 Voice: +52 (728) 690-2010	Email: servicio@chauvet.com.mx Website: www.chauvetprofessional.mx

Visit the applicable website above to verify our contact information and instructions to request support. Outside the U.S., U.K., Ireland, Benelux, France, Germany, or Mexico, contact the dealer of record.



UL 1573
CSA C22.2 No. 166
E113093

