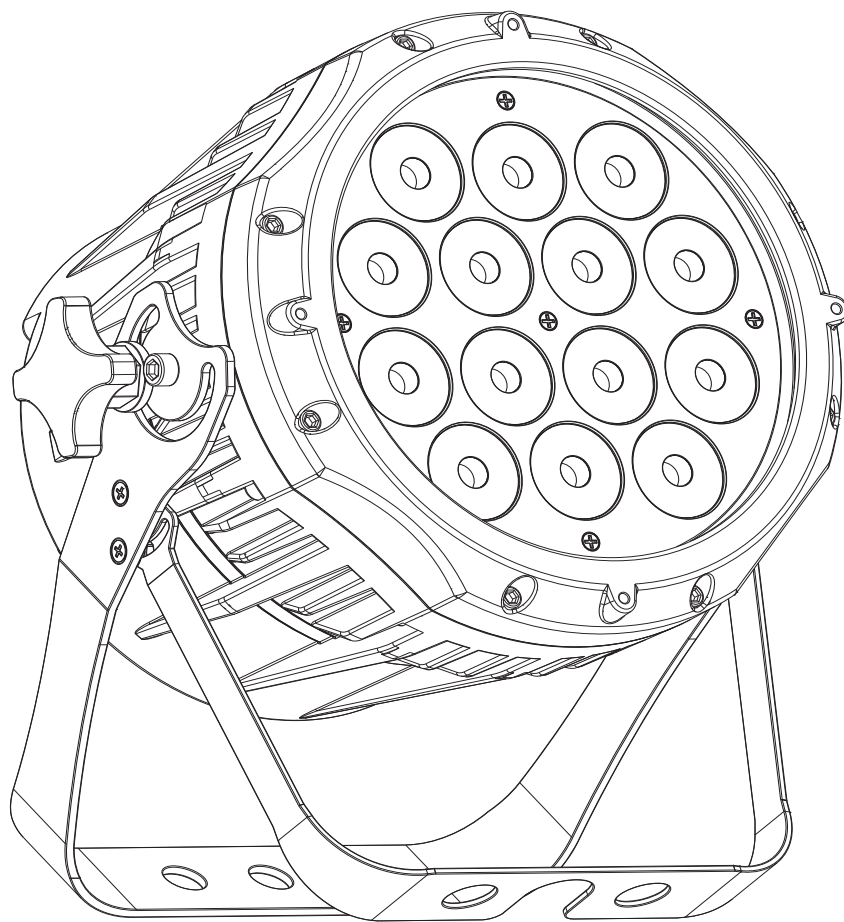


COLORADO 1 QUAD

Quick Reference Guide

English	EN
Español	ES
Deutsche	DE
Français	FR
Nederlands	NL



About This Guide

The Colorado 1 Quad Quick Reference Guide (QRG) has basic product information such as connection, mounting, menu options, and DMX values. Download the User Manual from www.chauvetprofessional.com for more details.

Disclaimer

The information and specifications contained in this QRG are subject to change without notice.

LIMITED WARRANTY

FOR WARRANTY REGISTRATION AND COMPLETE TERMS AND CONDITIONS PLEASE VISIT OUR WEBSITE.

For Customers in the United States and Mexico: www.chauvetlighting.com/warranty-registration.

For Customers in the United Kingdom, Republic of Ireland, Belgium, the Netherlands, Luxembourg, France, and Germany: www.chauvetlighting.eu/warranty-registration.

Chauvet warrants that this product shall be free from defects in material and workmanship under normal use, for the period specified in, and subject to the exclusions and limitations set forth in the full limited warranty on our website. This warranty extends only to the original purchaser of the product and is not transferable. To exercise rights under this warranty, you must provide proof of purchase in the form of an original sales receipt from an authorized dealer that shows the product name and date of purchase. THERE ARE NO OTHER EXPRESS OR IMPLIED WARRANTIES. This warranty gives you specific legal rights. You may also have other rights that vary from state to state and country to country. This warranty is valid only in the United States, United Kingdom, Republic of Ireland, Belgium, the Netherlands, Luxembourg, France, Germany and Mexico. For warranty terms in other countries, please consult your local distributor.

Safety Notes

- DO NOT open this product. It contains no user-serviceable parts.
- To eliminate unnecessary wear and improve its lifespan, during periods of non-use completely disconnect the product from power via breaker or by unplugging it.
- DO NOT look at the light source when the product is on.
- CAUTION: This product's housing may be hot when lights are operating. Mount this product in a location with adequate ventilation, at least 20 in (50 cm) from adjacent surfaces.
- DO NOT leave any flammable material within 50 cm of this product while operating or connected to power.
- CAUTION: When transferring product from extreme temperature environments, (e.g., cold truck to warm humid ballroom) condensation may form on the internal electronics of the product. To avoid causing a failure, allow product to fully acclimate to the surrounding environment before connecting it to power.
- Not for permanent outdoor installation in locations with extreme environmental conditions. This includes, but is not limited to:
 - Exposure to a marine/saline environment (within 3 miles of a saltwater body of water).
 - Where the normal high or low temperatures of the location exceed the temperature ranges in this manual.
 - Locations that are prone to flooding or being buried in snow.
 - Other areas where the product will be subject to extreme radiation or caustic substances.
- USE a safety cable when mounting this product overhead.
- DO NOT submerge this product (IP65). Regular outdoor operation is fine.
- DO NOT operate this product if the housing, lenses, or cables appear damaged.
- DO NOT connect this product to a dimmer or rheostat.
- ONLY connect this product to a grounded and protected circuit.
- ONLY use the hanging/mounting bracket to carry this product.
- In the event of a serious operating problem, stop using immediately.
- The maximum ambient temperature is 113 °F (45 °C). Do not operate this product at higher temperatures.

Contact

Outside the U.S., United Kingdom, Ireland, Benelux, France, Germany, or Mexico, contact your distributor to request support or return a product. Refer to [Contact Us](#) at the end of this QRG for contact information.

What is Included

- Colorado 1 Quad
- Seetronic Powerkon IP65 power cord
- Gel frame holder (7.5 in/191 mm accessories)
- Quick Reference Guide

AC Power

This product has an auto-ranging power supply that can work with an input voltage range of 100–240 VAC, 50/60 Hz.

Power Linking

You can link up to 15 Colorado 1 Quad products at 120 VAC, 25 products at 208 V, or 27 at 230 VAC. Never exceed this number. Power linking cords can be purchased separately.

AC Plug

Connection	Wire (U.S.)	Wire (Europe)	Screw Color
AC Live	Black	Brown	Yellow/Brass
AC Neutral	White	Blue	Silver
AC Ground	Green/Yellow	Green/Yellow	Green



- To eliminate unnecessary wear and improve its lifespan, during periods of non-use completely disconnect the product from power via breaker or by unplugging it.
- When using this product in an outdoor IP65 type environment, be sure to use IP65 (or higher) rated power cables and secure unused ports with attached IP65 covers.

DMX Linking

The Colorado 1 Quad will work with a DMX controller using a 5-pin DMX serial connection. A DMX Primer is available from www.chauvetprofessional.com.

DMX Connection

The Colorado 1 Quad uses a 5-pin DMX data connection for its DMX personalities. See the User Manual for information about connecting and configuring the product for DMX operation.



When using this product in an outdoor IP65 type environment, be sure to use IP65 (or higher) rated data cables and secure unused ports with attached IP65 covers.

Master/Slave Connection

The Colorado 1 Quad uses the DMX data connection for its Master/Slave mode. See the User Manual for information about connect and configure the product for master/slave operation.

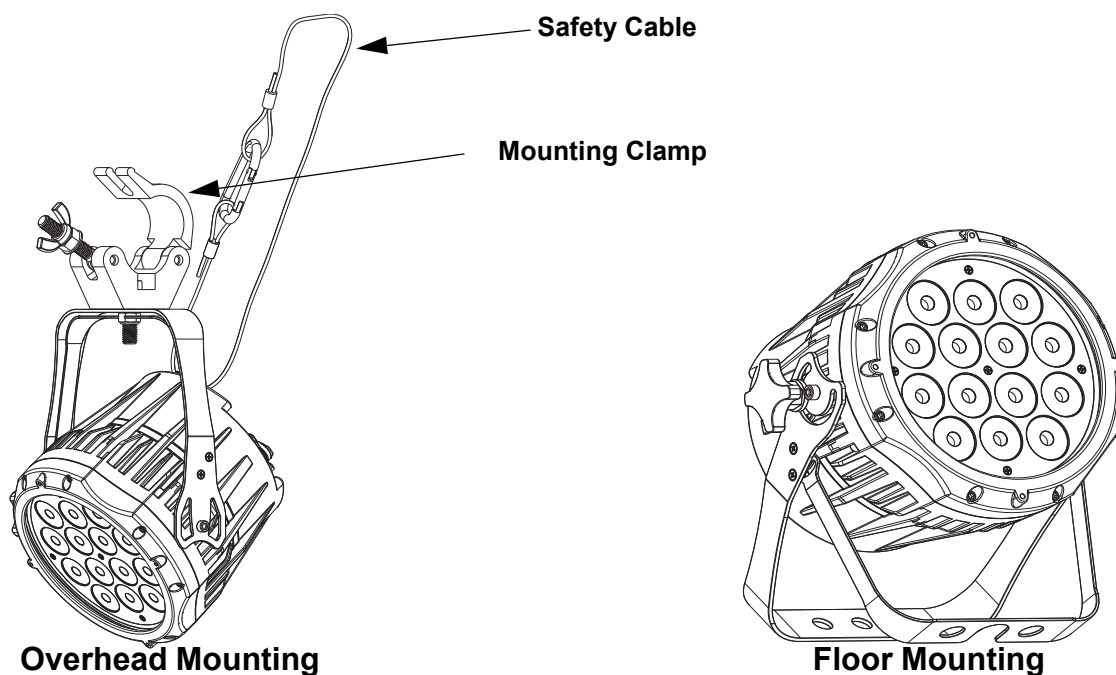
RDM (Remote Device Management)

Remote Device Management, or RDM, is a standard for allowing DMX-enabled devices to communicate bi-directionally along existing DMX cabling. Check the DMX controller's User Manual or with the manufacturer as not all DMX controllers have this capability. The Colorado 1 Quad supports RDM protocol that allows feedback to make changes to menu map options. Download the User Manual from www.chauvetprofessional.com for more details.

Mounting

Before mounting this product, read the [Safety Notes](#). Use at least one mounting point per product. Make sure the mounting clamps are capable of supporting the weight of the product. For our Chauvet line of mounting clamps, go to <http://trusst.com/productcategory/truss-clamps/>

Product Mounting Diagram



Control Panel Description

Button	Function
<MENU>	Exits from the current menu or function
<ENTER>	Enables the currently displayed menu or sets the currently selected value into the selected function
<UP>	Navigates upwards through the menu list or increases the numeric value when in a function
<DOWN>	Navigates downwards through the menu list or decreases the numeric value when in a function

Passcode

After being prompted, enter the following passcode by pressing:

<UP>, <DOWN>, <UP>, <DOWN>, <ENTER>

This passcode cannot be changed and must be used whenever prompted.

Menu Map

Main Level	Programming Levels		Description	
STAT	R.	000-255	Combines red, green, blue, and white to make a custom color (0–100%)	
	G.			
	B.			
	W.			
	ST.	00-20	Selects the strobe frequency (0–20 Hz)	
AUTO	AT.01-10		Selects automatic programs	
	PR.01-10		Selects customizable programs	
RUN	DMX		Receives DMX signals from the DMX controller	
	SLAV		Receives DMX signals from the master	
DMX	D.001-512		Sets the DMX starting address	
PERS	RGB	TOUR	9-channel: RGB, dimmer, strobe, color macro/white balance, auto/custom, dimmer speed, auto speed	
		TR16	13-channel: 16-bit RGB and dimmer, strobe, color macro/white balance, auto/custom, dimmer speed, auto speed	
		AR1.D	4-channel: RGB, dimmer	
	RGBW	8BIT	10-channel: RGBW, dimmer, strobe, color macro/white balance, auto/custom, dimmer speed, auto speed	
		16BI	15-channel: 16-bit RGBW and dimmer, strobe, color macro/white balance, auto/custom, dimmer speed, auto speed	
		SSP	7-channel: RGBW, dimmer, strobe, dimmer speed	
		ARC.2	4-channel: RGBW control	
		AR2.D	5-channel: RGBW, dimmer	
		AR2.S	6-channel: RGBW, dimmer, strobe	
		EDIT	PR.01-10	R.
G.				
B.				
SC.01-30	W.		00-20	Selects the strobe frequency (0-20 Hz)
	SB.			
	T.		000-255	Defines the step duration (slow to fast)
	F.			Defines the fade duration (slow to fast)

Main Level	Programming Levels				Description	
SET	UPLD	**** (Enter Passcode)	OK		Uploads custom programs to other Colorado 1 Quad products	
	REST		WAIT	OK	Defaults product to factory settings	
	COLO			OFF		RGB set to 255 = max. output
				RGBW		RGB set to 255 = balanced white
				UC		Universal color balance
	DIM			OFF		No dimmer
				DIM1	Dimmer curves	
				DIM2		
				DIM3		
				DIM4		
	CURV			OFF		No dimmer
				CV1	Fast (CV1) to slow (CV3) dimmer curves	
				CV2		
				CV3		
	DERR			SAVE		Continues with last command upon loss of DMX control
				BLAK		Blacks out fixture upon loss of DMX
	SLCK			OFF	SET main level access lock	
				ON		
STRB			CLAS	Selects strobe personality		
			SPRC			
PWM			600			
			1200			
			2000			
			2400			
			4000			
			6000			
			25K			
CAL	**** (Enter Passcode)	CAL1	WH.01-11	R.	000-255	Modifies the color macros used in the TOUR, 8BIT, 16BI, and TR16 personalities
				G.		
				B.		
		W.				
		R.	Defines the color temperature used when COLO is set to RGBW			
		G.				
	B.					
	CAL2	RGBW				
	CALR	**** (Enter Passcode)	CALR	OK	Defaults CAL to factory settings	
KEY	ON				Turns the passcode on or off	
	OFF					
INFO	VERS		V_		Shows installed software version	

DMX Value RGBW Mode

16BI

Channel	Function	Value	Percent/Setting
1	Dimmer	000 ⇔ 255	0–100%
2	Fine Dimmer	000 ⇔ 255	0–100%
3	Red	000 ⇔ 255	0–100% (Step Time if Custom 1-10 active)

Channel	Function	Value	Percent/Setting
4	Fine Red	000 ⇄ 255	0–100% (Fade Time if Custom 1-10 active)
5	Green	000 ⇄ 255	0–100%
6	Fine Green	000 ⇄ 255	0–100%
7	Blue	000 ⇄ 255	0–100%
8	Fine Blue	000 ⇄ 255	0–100%
9	White	000 ⇄ 255	0–100%
10	Fine White	000 ⇄ 255	0–100%
11	Color Macro	000 ⇄ 010	No function
		011 ⇄ 030	R: 100% G: 0–100% B: 0%
		031 ⇄ 050	R: 100–0% G: 100% B: 0%
		051 ⇄ 070	R: 0% G: 100% B: 0–100%
		071 ⇄ 090	R: 0% G: 100–0% B: 100%
		091 ⇄ 110	R: 0–100% G: 0% B: 100%
		111 ⇄ 130	R: 100% G: 0% B: 100–0%
		131 ⇄ 150	R: 100% G: 0–100% B: 0–100%
		151 ⇄ 170	R: 100–0% G: 100–0% B: 100%
		171 ⇄ 200	RGBW: 100%
		201 ⇄ 205	White 1
		206 ⇄ 210	White 2
		211 ⇄ 215	White 3
		216 ⇄ 220	White 4
		221 ⇄ 225	White 5
		226 ⇄ 230	White 6
		231 ⇄ 235	White 7
236 ⇄ 240	White 8		
241 ⇄ 245	White 9		
246 ⇄ 250	White 10		
251 ⇄ 255	White 11		
12	Special Strobe	000 ⇄ 009	No function
		010 ⇄ 099	Strobe, slow to fast
		100 ⇄ 109	No function
		110 ⇄ 179	Lighting strobe, slow to fast
		180 ⇄ 189	No function
		190 ⇄ 255	Random strobe, slow to fast
	Classic Strobe	000 ⇄ 009	No function
		010 ⇄ 019	1 Hz
		020 ⇄ 029	2 Hz
		030 ⇄ 039	3 Hz
		040 ⇄ 049	4 Hz
		050 ⇄ 059	5 Hz
		060 ⇄ 069	6 Hz
		070 ⇄ 079	7 Hz
		080 ⇄ 089	8 Hz
		090 ⇄ 099	9 Hz
		100 ⇄ 109	10 Hz
110 ⇄ 119	11 Hz		
120 ⇄ 129	12 Hz		

*Select strobe function in the main menu under **SET > STRB > CLAS** or **SPRC**

Channel	Function	Value	Percent/Setting
12	Classic Strobe	130 ⇔ 139	13 Hz
		140 ⇔ 149	14 Hz
		150 ⇔ 159	15 Hz
		160 ⇔ 169	16 Hz
		170 ⇔ 179	17 Hz
		180 ⇔ 189	18 Hz
		190 ⇔ 199	19 Hz
		200 ⇔ 255	20 Hz
13	Programs	000 ⇔ 020	No function
		021 ⇔ 030	Auto 1
		031 ⇔ 040	Auto 2
		041 ⇔ 050	Auto 3
		051 ⇔ 060	Auto 4
		061 ⇔ 070	Auto 5
		071 ⇔ 080	Auto 6
		081 ⇔ 090	Auto 7
		091 ⇔ 100	Auto 8
		101 ⇔ 110	Auto 9
		111 ⇔ 120	Auto 10
		121 ⇔ 130	Custom 1
		131 ⇔ 140	Custom 2
		141 ⇔ 150	Custom 3
		151 ⇔ 160	Custom 4
		161 ⇔ 170	Custom 5
171 ⇔ 180	Custom 6		
181 ⇔ 190	Custom 7		
191 ⇔ 200	Custom 8		
201 ⇔ 210	Custom 9		
211 ⇔ 220	Custom 10		
221 ⇔ 255	No function		
14	Auto Speed	000 ⇔ 255	0–100% (Only when using Auto1-10)
15	Dimmer Speed	000 ⇔ 009	Preset dimmer speed from display menu
		010 ⇔ 029	Linear dimmer
		030 ⇔ 069	Nonlinear dimming curve 1 (fastest)
		070 ⇔ 129	Nonlinear dimming curve 2
		130 ⇔ 189	Nonlinear dimming curve 3
		190 ⇔ 255	Nonlinear dimming curve 4 (slowest)

8BIT

Channel	Function	Value	Percent/Setting
1	Dimmer	000 ⇔ 255	0–100%
2	Red	000 ⇔ 255	0–100% (Step Time if Custom 1-10 active)
3	Green	000 ⇔ 255	0–100% (Fade Time if Custom 1-10 active)
4	Blue	000 ⇔ 255	0–100%
5	White	000 ⇔ 255	0–100%

Channel	Function	Value	Percent/Setting
6	Color Macro	000 ⇔ 010	No function
		011 ⇔ 030	R: 100% G: 0–100% B: 0%
		031 ⇔ 050	R: 100–0% G: 100% B: 0%
		051 ⇔ 070	R: 0% G: 100% B: 0–100%
		071 ⇔ 090	R: 0% G: 100–0% B: 100%
		091 ⇔ 110	R: 0–100% G: 0% B: 100%
		111 ⇔ 130	R: 100% G: 0% B: 100–0%
		131 ⇔ 150	R: 100% G: 0–100% B: 0–100%
		151 ⇔ 170	R: 100–0% G: 100–0% B: 100%
		171 ⇔ 200	RGBW: 100%
		201 ⇔ 205	White 1
		206 ⇔ 210	White 2
		211 ⇔ 215	White 3
		216 ⇔ 220	White 4
		221 ⇔ 225	White 5
		226 ⇔ 230	White 6
		231 ⇔ 235	White 7
		236 ⇔ 240	White 8
		241 ⇔ 245	White 9
		246 ⇔ 250	White 10
251 ⇔ 255	White 11		
7	Special Strobe	000 ⇔ 009	No function
		010 ⇔ 099	Strobe, slow to fast
		100 ⇔ 109	No function
		110 ⇔ 179	Lighting strobe, slow to fast
		180 ⇔ 189	No function
		190 ⇔ 255	Random strobe, slow to fast
	Classic Strobe	000 ⇔ 009	No function
		010 ⇔ 019	1 Hz
		020 ⇔ 029	2 Hz
		030 ⇔ 039	3 Hz
		040 ⇔ 049	4 Hz
		050 ⇔ 059	5 Hz
		060 ⇔ 069	6 Hz
		070 ⇔ 079	7 Hz
		080 ⇔ 089	8 Hz
		090 ⇔ 099	9 Hz
		100 ⇔ 109	10 Hz
		110 ⇔ 119	11 Hz
		120 ⇔ 129	12 Hz
		130 ⇔ 139	13 Hz
140 ⇔ 149	14 Hz		
150 ⇔ 159	15 Hz		
160 ⇔ 169	16 Hz		
170 ⇔ 179	17 Hz		

*Select strobe function in the main menu under **SET > STRB > CLAS** or **SPRC**

Channel	Function	Value	Percent/Setting
7	Classic Strobe	180 ⇔ 189	18 Hz
		190 ⇔ 199	19 Hz
		200 ⇔ 255	20 Hz
8	Programs	000 ⇔ 020	No function
		021 ⇔ 030	Auto 1
		031 ⇔ 040	Auto 2
		041 ⇔ 050	Auto 3
		051 ⇔ 060	Auto 4
		061 ⇔ 070	Auto 5
		071 ⇔ 080	Auto 6
		081 ⇔ 090	Auto 7
		091 ⇔ 100	Auto 8
		101 ⇔ 110	Auto 9
		111 ⇔ 120	Auto 10
		121 ⇔ 130	Custom 1
		131 ⇔ 140	Custom 2
		141 ⇔ 150	Custom 3
		151 ⇔ 160	Custom 4
		161 ⇔ 170	Custom 5
171 ⇔ 180	Custom 6		
181 ⇔ 190	Custom 7		
191 ⇔ 200	Custom 8		
201 ⇔ 210	Custom 9		
211 ⇔ 220	Custom 10		
221 ⇔ 255	No function		
9	Auto Speed	000 ⇔ 255	0–100% (Only when using Auto1-10)
10	Dimmer Speed	000 ⇔ 009	Preset dimmer speed from display menu
		010 ⇔ 029	Linear dimmer
		030 ⇔ 069	Nonlinear dimming curve 1 (fastest)
		070 ⇔ 129	Nonlinear dimming curve 2
		130 ⇔ 189	Nonlinear dimming curve 3
		190 ⇔ 255	Nonlinear dimming curve 4 (slowest)

SSP

Channel	Function	Value	Percent/Setting
1	Dimmer	000 ⇔ 255	0–100%
2	Red	000 ⇔ 255	0–100%
3	Green	000 ⇔ 255	0–100%
4	Blue	000 ⇔ 255	0–100%
5	White	000 ⇔ 255	0–100%
6	Special Strobe	000 ⇔ 009	No function
		010 ⇔ 099	Strobe, slow to fast
		100 ⇔ 109	No function
		110 ⇔ 179	Lighting strobe, slow to fast
		180 ⇔ 189	No function
	190 ⇔ 255	Random strobe, slow to fast	
	Classic Strobe	000 ⇔ 009	No function
		010 ⇔ 019	1 Hz

*Select strobe function in the main menu under **SET > STRB > CLAS** or **SPRC**

EN

Channel	Function	Value	Percent/Setting
6	Classic Strobe	020 ⇔ 029	2 Hz
		030 ⇔ 039	3 Hz
		040 ⇔ 049	4 Hz
		050 ⇔ 059	5 Hz
		060 ⇔ 069	6 Hz
		070 ⇔ 079	7 Hz
		080 ⇔ 089	8 Hz
		090 ⇔ 099	9 Hz
		100 ⇔ 109	10 Hz
		110 ⇔ 119	11 Hz
		120 ⇔ 129	12 Hz
		130 ⇔ 139	13 Hz
		140 ⇔ 149	14 Hz
		150 ⇔ 159	15 Hz
		160 ⇔ 169	16 Hz
		170 ⇔ 179	17 Hz
180 ⇔ 189	18 Hz		
190 ⇔ 199	19 Hz		
200 ⇔ 255	20 Hz		
7	Dimmer Speed	000 ⇔ 009	Preset dimmer speed from display menu
		010 ⇔ 029	Linear dimmer
		030 ⇔ 069	Nonlinear dimming curve 1 (fastest)
		070 ⇔ 129	Nonlinear dimming curve 2
		130 ⇔ 189	Nonlinear dimming curve 3
		190 ⇔ 255	Nonlinear dimming curve 4 (slowest)

AR2.S

Channel	Function	Value	Percent/Setting
1	Dimmer	000 ⇔ 255	0–100%
2	Red	000 ⇔ 255	0–100%
3	Green	000 ⇔ 255	0–100%
4	Blue	000 ⇔ 255	0–100%
5	White	000 ⇔ 255	0–100%
6	Strobe	000 ⇔ 255	0–20Hz

AR2.D

Channel	Function	Value	Percent/Setting
1	Dimmer	000 ⇔ 255	0–100%
2	Red	000 ⇔ 255	0–100%
3	Green	000 ⇔ 255	0–100%
4	Blue	000 ⇔ 255	0–100%
5	White	000 ⇔ 255	0–100%

ARC.2

Channel	Function	Value	Percent/Setting
1	Red	000 ⇔ 255	0–100%
2	Green	000 ⇔ 255	0–100%
3	Blue	000 ⇔ 255	0–100%
4	White	000 ⇔ 255	0–100%

DMX Value RGB Mode

TR16

Channel	Function	Value	Percent/Setting
1	Dimmer	000 ⇔ 255	0–100%
2	Fine Dimmer	000 ⇔ 255	0–100%
3	Red	000 ⇔ 255	0–100% (Step Time if Custom 1-10 active)
4	Fine Red	000 ⇔ 255	0–100% (Fade Time if Custom 1-10 active)
5	Green	000 ⇔ 255	0–100%
6	Fine Green	000 ⇔ 255	0–100%
7	Blue	000 ⇔ 255	0–100%
8	Fine Blue	000 ⇔ 255	0–100%
9	Color Macro	000 ⇔ 010	No function
		011 ⇔ 030	R: 100% G: 0–100% B: 0%
		031 ⇔ 050	R: 100–0% G: 100% B: 0%
		051 ⇔ 070	R: 0% G: 100% B: 0–100%
		071 ⇔ 090	R: 0% G: 100–0% B: 100%
		091 ⇔ 110	R: 0–100% G: 0% B: 100%
		111 ⇔ 130	R: 100% G: 0% B: 100–0%
		131 ⇔ 150	R: 100% G: 0–100% B: 0–100%
		151 ⇔ 170	R: 100–0% G: 100–0% B: 100%
		171 ⇔ 200	RGBW: 100%
		201 ⇔ 205	White 1
		206 ⇔ 210	White 2
		211 ⇔ 215	White 3
		216 ⇔ 220	White 4
		221 ⇔ 225	White 5
		226 ⇔ 230	White 6
		231 ⇔ 235	White 7
236 ⇔ 240	White 8		
241 ⇔ 245	White 9		
246 ⇔ 250	White 10		
251 ⇔ 255	White 11		
10	Special Strobe	000 ⇔ 009	No function
		010 ⇔ 099	Strobe, slow to fast
		100 ⇔ 109	No function
		110 ⇔ 179	Lighting strobe, slow to fast
		180 ⇔ 189	No function
		190 ⇔ 255	Random strobe, slow to fast
	Classic Strobe	000 ⇔ 009	No function
		010 ⇔ 019	1 Hz
		020 ⇔ 029	2 Hz

*Select strobe function in the main menu under **SET > STRB > CLAS** or **SPRC**

Channel	Function	Value	Percent/Setting
10	Classic Strobe	030 ⇄ 039	3 Hz
		040 ⇄ 049	4 Hz
		050 ⇄ 059	5 Hz
		060 ⇄ 069	6 Hz
		070 ⇄ 079	7 Hz
		080 ⇄ 089	8 Hz
		090 ⇄ 099	9 Hz
		100 ⇄ 109	10 Hz
		110 ⇄ 119	11 Hz
		120 ⇄ 129	12 Hz
		130 ⇄ 139	13 Hz
		140 ⇄ 149	14 Hz
		150 ⇄ 159	15 Hz
		160 ⇄ 169	16 Hz
		170 ⇄ 179	17 Hz
		180 ⇄ 189	18 Hz
190 ⇄ 199	19 Hz		
		200 ⇄ 255	20 Hz
11	Programs	000 ⇄ 020	No function
		021 ⇄ 030	Auto 1
		031 ⇄ 040	Auto 2
		041 ⇄ 050	Auto 3
		051 ⇄ 060	Auto 4
		061 ⇄ 070	Auto 5
		071 ⇄ 080	Auto 6
		081 ⇄ 090	Auto 7
		091 ⇄ 100	Auto 8
		101 ⇄ 110	Auto 9
		111 ⇄ 120	Auto 10
		121 ⇄ 130	Custom 1
		131 ⇄ 140	Custom 2
		141 ⇄ 150	Custom 3
		151 ⇄ 160	Custom 4
		161 ⇄ 170	Custom 5
171 ⇄ 180	Custom 6		
181 ⇄ 190	Custom 7		
191 ⇄ 200	Custom 8		
201 ⇄ 210	Custom 9		
211 ⇄ 220	Custom 10		
		221 ⇄ 255	No function
12	Auto Speed	000 ⇄ 255	0–100% (Only when using Auto1-10)
13	Dimmer Speed	000 ⇄ 009	Preset dimmer speed from display menu
		010 ⇄ 029	Linear dimmer
		030 ⇄ 069	Nonlinear dimming curve 1 (fastest)
		070 ⇄ 129	Nonlinear dimming curve 2
		130 ⇄ 189	Nonlinear dimming curve 3
		190 ⇄ 255	Nonlinear dimming curve 4 (slowest)

TOUR

Channel	Function	Value	Percent/Setting
1	Dimmer	000 ⇔ 255	0–100%
2	Red	000 ⇔ 255	0–100% (Step Time if Custom 1-10 active)
3	Green	000 ⇔ 255	0–100% (Fade Time if Custom 1-10 active)
4	Blue	000 ⇔ 255	0–100%
5	Color Macro	000 ⇔ 010	No function
		011 ⇔ 030	R: 100% G: 0–100% B: 0%
		031 ⇔ 050	R: 100–0% G: 100% B: 0%
		051 ⇔ 070	R: 0% G: 100% B: 0–100%
		071 ⇔ 090	R: 0% G: 100–0% B: 100%
		091 ⇔ 110	R: 0–100% G: 0% B: 100%
		111 ⇔ 130	R: 100% G: 0% B: 100–0%
		131 ⇔ 150	R: 100% G: 0–100% B: 0–100%
		151 ⇔ 170	R: 100–0% G: 100–0% B: 100%
		171 ⇔ 200	RGBW: 100%
		201 ⇔ 205	White 1
		206 ⇔ 210	White 2
		211 ⇔ 215	White 3
		216 ⇔ 220	White 4
		221 ⇔ 225	White 5
		226 ⇔ 230	White 6
		231 ⇔ 235	White 7
236 ⇔ 240	White 8		
241 ⇔ 245	White 9		
246 ⇔ 250	White 10		
251 ⇔ 255	White 11		
6	Special Strobe	000 ⇔ 009	No function
		010 ⇔ 099	Strobe, slow to fast
		100 ⇔ 109	No function
		110 ⇔ 179	Lighting strobe, slow to fast
		180 ⇔ 189	No function
		190 ⇔ 255	Random strobe, slow to fast
	Classic Strobe	000 ⇔ 009	No function
		010 ⇔ 019	1 Hz
		020 ⇔ 029	2 Hz
		030 ⇔ 039	3 Hz
		040 ⇔ 049	4 Hz
		050 ⇔ 059	5 Hz
		060 ⇔ 069	6 Hz
		070 ⇔ 079	7 Hz
		080 ⇔ 089	8 Hz
		090 ⇔ 099	9 Hz
		100 ⇔ 109	10 Hz
		110 ⇔ 119	11 Hz
		120 ⇔ 129	12 Hz
		130 ⇔ 139	13 Hz
		140 ⇔ 149	14 Hz

*Select strobe function in the main menu under **SET > STRB > CLAS or SPRC**

Channel	Function	Value	Percent/Setting
6	Classic Strobe	150 ⇄ 159	15 Hz
		160 ⇄ 169	16 Hz
		170 ⇄ 179	17 Hz
		180 ⇄ 189	18 Hz
		190 ⇄ 199	19 Hz
		200 ⇄ 255	20 Hz
7	Programs	000 ⇄ 020	No function
		021 ⇄ 030	Auto 1
		031 ⇄ 040	Auto 2
		041 ⇄ 050	Auto 3
		051 ⇄ 060	Auto 4
		061 ⇄ 070	Auto 5
		071 ⇄ 080	Auto 6
		081 ⇄ 090	Auto 7
		091 ⇄ 100	Auto 8
		101 ⇄ 110	Auto 9
		111 ⇄ 120	Auto 10
		121 ⇄ 130	Custom 1
		131 ⇄ 140	Custom 2
		141 ⇄ 150	Custom 3
		151 ⇄ 160	Custom 4
		161 ⇄ 170	Custom 5
		171 ⇄ 180	Custom 6
181 ⇄ 190	Custom 7		
191 ⇄ 200	Custom 8		
201 ⇄ 210	Custom 9		
211 ⇄ 220	Custom 10		
221 ⇄ 255	No function		
8	Auto Speed	000 ⇄ 255	0–100% (Only when using Auto1-10)
9	Dimmer Speed	000 ⇄ 009	Preset dimmer speed from display menu
		010 ⇄ 029	Linear dimmer
		030 ⇄ 069	Nonlinear dimming curve 1 (fastest)
		070 ⇄ 129	Nonlinear dimming curve 2
		130 ⇄ 189	Nonlinear dimming curve 3
		190 ⇄ 255	Nonlinear dimming curve 4 (slowest)

AR1.D

Channel	Function	Value	Percent/Setting
1	Dimmer	000 ⇄ 255	0–100%
2	Red	000 ⇄ 255	0–100% (Step Time if Custom 1-10 active)
3	Green	000 ⇄ 255	0–100% (Fade Time if Custom 1-10 active)
4	Blue	000 ⇄ 255	0–100%

Acerca de Esta Guía

La Guía de Referencia Rápida (GRR) del Colorado 1 Quad contiene información básica sobre el producto, como montaje, opciones de menú y valores DMX. Descargue el Manual de Usuario de www.chauvetprofessional.com para información más detallada.

Exención de Responsabilidad

La información y especificaciones contenidas en esta GRR están sujetas a cambio sin previo aviso.

GARANTÍA LIMITADA

PARA VER EL REGISTRO DE GARANTÍA Y LOS TÉRMINOS Y CONDICIONES COMPLETOS, VISITE NUESTRO SITIO WEB.

Para clientes en los Estados Unidos y México: www.chauvetlighting.com/warranty-registration.

Para clientes en Reino Unido, República de Irlanda, Bélgica, Países Bajos, Luxemburgo, Francia y Alemania: www.chauvetlighting.eu/warranty-registration.

Chauvet garantiza que este producto estará libre de defectos de material y mano de obra en condiciones de uso normales, durante el periodo especificado, sujeto siempre a las exclusiones y limitaciones establecidas en la garantía limitada completa de nuestro sitio web. Esta garantía se concede únicamente al comprador original del producto y no es transferible. Para ejercer los derechos que otorga esta garantía, usted debe proporcionar una prueba de compra en forma de un recibo de compra original, expedido por un distribuidor autorizado, donde figure el nombre del producto y la fecha de compra. **NO EXISTEN OTRAS GARANTÍAS EXPRESAS NI IMPLÍCITAS.** Esta garantía le otorga derechos legales específicos. Es posible que a usted le asistan otros derechos, que variarán dependiendo del estado o del país. Esta garantía solamente es válida en los Estados Unidos, Reino Unido, República de Irlanda, Bélgica, Países Bajos, Luxemburgo, Francia, Alemania y México. Para conocer los términos de garantía en otros países, consulte a su distribuidor local.

Notas de Seguridad

- NO abra este producto. No contiene piezas reparables por el usuario.
- Para evitar un desgaste innecesario y alargar su vida útil, desconecte complemente el producto de la alimentación, mediante el interruptor o desenchufándolo, durante los periodos en los que no se use.
- NO mire a la fuente de luz cuando el producto esté encendido.
- CUIDADO: La carcasa de este producto está caliente cuando las luces están en funcionamiento.
- Monte este producto en una ubicación con ventilación adecuada, al menos a 20" (50 cm) de superficies adyacentes.
- NO deje ningún material inflamable a menos de 50 cm de este producto mientras esté funcionando o conectado a la alimentación.
- Cuidado: cuando transfiera el producto desde ambientes con temperatura extrema (p. ej., del remolque frío de un camión a una sala de baile con calor y humedad), puede formarse condensación en la electrónica interna del producto. Para evitar que se produzca una avería, deje que el producto se aclimate completamente al ambiente antes de conectar la alimentación.
- No apto para la instalación permanente en exteriores en lugares con condiciones ambientales extremas. Estas incluyen, sin limitarse a ellas:
 - Exposición a un ambiente marino/salino (a menos de 4,8 km de una masa de agua salada).
 - Cuando las temperaturas máxima o mínima habituales del lugar superan los rangos de temperatura en este manual.
 - Lugares proclives a inundaciones o a ser sepultados por la nieve.
 - Otras zonas en las que el producto esté expuesto a radiación extrema o sustancias cáusticas.
- USE un cable de seguridad cuando monte este producto en lo alto.
- NO sumerja este producto (IP65). La operación normal en exteriores es correcta.
- NO ponga en funcionamiento este producto si sospecha que la carcasa, lentes o cables están dañados.
- NO conecte este producto a un atenuador o reostato.
- Conecte este producto SOLO a un circuito con toma de tierra y protegido.
- Use SOLAMENTE los soportes de colgar/montar para mover este producto.
- En caso de un problema grave de funcionamiento, deje de usarlo inmediatamente.
- La máxima temperatura ambiente es de 113 °F (45 °C). No haga funcionar este producto a temperaturas más altas.

Contacto

Fuera de EE. UU., Reino Unido, Irlanda, Benelux, Francia, Alemania o México póngase en contacto con su distribuidor para solicitar asistencia o devolver un producto. Consulte [Contact Us](#) al final de este GRR para información de contacto.

Qué va Incluido

- Colorado 1 Quad
- Seetronic Powerkon IP65 cable de alimentación
- Marco de gel (Accesorios de 191 mm/7,5 in)
- Guía de Referencia Rápida

Corriente Alterna

Este producto tiene una fuente de alimentación con detección automática que puede funcionar con un rango de tensión de entrada de 100 a 240 VCA, 50/60 Hz.

Alimentación en Cadena

Puede enlazar hasta 15 productos Colorado 1 Quad a 120 V, 25 productos a 208 V, o 27 a 230 V. Nunca sobrepase este número. Los cables de alimentación en cadena se pueden adquirir por separado

Enchufe CA

Conexión	Cable (EE.UU.)	Cable (Europa)	Color del tornillo
CA Cargado	Negro	Marrón	Amarillo/Latón
CA Neutro	Blanco	Azul	Plata
CA Tierra	Verde/Amarillo	Verde/Amarillo	Verde



- Para evitar un desgaste innecesario y alargar su vida útil, desconecte complemente el producto de la alimentación, mediante el interruptor o desenchufándolo, durante los periodos en los que no se use.
- Cuando utilice este producto en exteriores, use cables de datos y alimentación con protección IP65 (o superior). Asegúrese de proteger los puertos de datos y alimentación que no se usen colocando tapas IP65.

Enlace DMX

El Colorado 1 Quad funcionará con un controlador DMX usando una conexión serie DMX normal. Hay un manual DMX disponible en www.chauvetprofessional.com.

Conexión DMX

El Colorado 1 Quad usa una conexión de datos DMX normal para sus personalidades. Vea el Manual de Usuario para conectar y configurar para funcionamiento DMX.



Quando utilice este producto en exteriores con ambiente tipo IP65, asegúrese de usar cables de datos con protección IP65 (o superior) y de proteger los puertos que no se usen colocando tapas IP65.

Conexión Maestro/Esclavo

El Colorado 1 Quad usa la conexión de datos DMX para su modo Maestro/Esclavo. Vea el Manual de Usuario para conectar y configurar para funcionamiento Maestro/Esclavo.

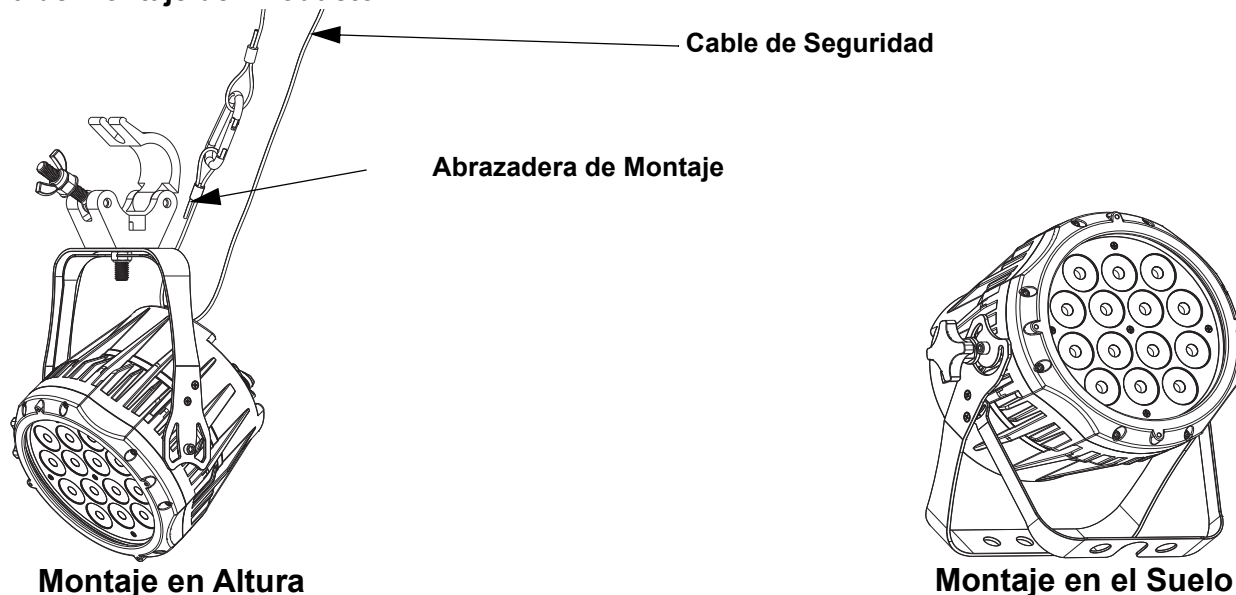
RDM (gestión remota del dispositivo)

Remote Device Management (gestión remota del dispositivo) o RDM, es un estándar que permite a los dispositivos con capacidad DMX una comunicación bidireccional por un cableado DMX existente. El Colorado 1 Quad admite protocolo RDM, que posibilita información para supervisar cambiar las opciones del mapa de menú. Descargue el manual de usuario de www.chauvetprofessional.com para una información más detallada.

Montaje

Antes de montar este producto, lea las [Notas de Seguridad](#). Utilice al menos dos puntos de montaje por producto. Asegúrese de que las abrazaderas de montaje son capaces de soportar el peso del producto. Para nuestra línea Chauvet de abrazaderas de montaje, visite <http://trusst.com/productcategory/truss-clamps/>

Diagrama de Montaje del Producto



Descripción del Panel de Control

Botón	Función
<MENU>	Sale del menú o función actual
<ENTER>	Habilita el menú actualmente en pantalla o configura el valor seleccionado actualmente dentro de la función seleccionada
<UP>	Navega hacia arriba por la lista de menú o aumenta el valor numérico cuando está en una función
<DOWN>	Navega hacia abajo por la lista de menú o disminuye el valor numérico cuando está en una función

Código de acceso

Después de que se le solicite, introduzca el siguiente código de acceso pulsando:

<UP>, <DOWN>, <UP>, <DOWN>, <ENTER>

Este código no se puede cambiar y se debe usar cuando se le solicite.

Menu Map

Nivel Principal	Niveles de Programación		Descripción
STAT	R.	000-255	Combina rojo, verde, azul y blanco para formar un color personalizado (0–100%)
	G.		
	B.		
	W.		
	ST.	00-20	Selecciona la frecuencia de estroboscopio (0–20 Hz)
AUTO	AT.01-10		10 programas automáticos
	PR.01-10		10 programas personalizables
RUN	DMX		Modo DMX
	SLAV		Modo Maestro/Esclavo
DMX	D.001-512		Selecciona la dirección DMX de inicio
PERS	RGB	TOUR	9- canales: RVA, atenuador, estroboscopio, macro de color, auto/personalizado, velocidad atenuador, velocidad automática
		TR16	13- canales: 16-bit RVAB y atenuador, estroboscopio, macro de color, auto/personalizado, velocidad atenuador, velocidad automática
		AR1.D	4- canales: RVA, atenuador
	RGBW	8BIT	10- canales: RVAB, atenuador, estroboscopio, macro de color, auto/personalizado, velocidad atenuador, velocidad automática
		16BI	15- canales: 16-bit RVAB y atenuador, estroboscopio, macro de color, auto/personalizado, velocidad atenuador, velocidad automática
		SSP	7- canales: RVAB, atenuador, estroboscopio, velocidad atenuador
		ARC.2	4- canales: RVAB
		AR2.D	5- canales: RVAB, atenuador
		AR2.S	6- canales: RVAB, atenuador, estroboscopio

Nivel Principal	Niveles de Programación				Descripción	
EDIT	PR.01-10	SC.01-30	R.	000-255	Combina rojo, verde, azul y blanco para generar un color personalizado (0-100%)	
			G.			
			B.			
			W.			
			SB.	00-20	Selecciona la frecuencia de estroboscopio (0-20 Hz)	
			T.	000-255	Define la duración del paso (lento a rápido)	
F.	Define la duración del fado (lento a rápido)					
SET	UPLD	**** (Introducir código de acceso)		OK		Carga programas personalizados a otros productos Colorado 1 Quads
	REST			WAIT	OK	Restablece en el producto los valores de fábrica
SET	COLO		OFF		RVA establecido en 255 = máx. potencia	
			RGBW		RVA establecido en 255 = equilibrio de blancos	
			UC		Equilibrio de color universal	
	DIM		OFF		Sin atenuador (Off)	
			DIM1		Curvas de atenuador rápido (Dim1) a lento (Dim3)	
			DIM2			
			DIM3			
	CURV		OFF		Sin atenuador (Off)	
			CV1		Curvas de atenuador rápido (CV1) a lento (CV3)	
			CV2			
			CV3			
	DERR		SAVE		Continúa con el último comando tras la pérdida de control DMX	
			BLAK		Apaga (blackout) el dispositivo tras la pérdida de señal DMX	
	SLCK		OFF		Bloquea el acceso al nivel principal de SET	
			ON			
	STRB		CLAS		Selecciona la personalidad	
			SPRC			
	PWM		600		Selecciona la frecuencia de emisión PWM	
1200						
2000						
2400						
4000						
6000						
25K						
CAL	**** (Introducir código de acceso)	CAL1	WH.01-11	R.	000-255	Modifica los macros de color usados en la personalidad TOUR , 8BIT , 16BI , y TR16
				G.		
				B.		
				W.		

Nivel Principal	Niveles de Programación					Descripción
CAL	**** (Introducir código de acceso)	CAL2	RGBW	R.	000-255	Define la temperatura de color usada cuando COLO se configura como RGBW
				G.		
				B.		
		CALR	**** (Introducir código de acceso)	CALR	OK	Restablece en CAL los valores de fábrica
KEY	ON					Activa o desactiva la contraseña
	OFF					
INO	VERS			V_		Muestra la versión de software instalada

DMX Value RGBW Mode

16BI

Canal	Función	Valor	Porcentaje/Configuración
1	Atenuador	000 ⇔ 255	0–100%
2	Atenuador fino	000 ⇔ 255	0–100%
3	Rojo	000 ⇔ 255	0–100% (Duración del Paso si Personalizado 1–10 está activo)
4	Rojo nítido	000 ⇔ 255	0–100% (Duración del Fade si Personalizado 1–10 está activo)
5	Verde	000 ⇔ 255	0–100%
6	Verde nítido	000 ⇔ 255	0–100%
7	Azul	000 ⇔ 255	0–100%
8	Azul nítido	000 ⇔ 255	0–100%
9	Blanco	000 ⇔ 255	0–100%
10	Blanco nítido	000 ⇔ 255	0–100%
11	Macro de Color + Equilibrio de Blancos	000 ⇔ 010	Sin función
		011 ⇔ 030	R: 100% V: 0–100% A: 0%
		031 ⇔ 050	R: 100–0% V: 100% A: 0%
		051 ⇔ 070	R: 0% V: 100% A: 0–100%
		071 ⇔ 090	R: 0% V: 100–0% A: 100%
		091 ⇔ 110	R: 0–100% V: 0% A: 100%
		111 ⇔ 130	R: 100% V: 0% A: 100–0%
		131 ⇔ 150	R: 100% V: 0–100% A: 0–100%
		151 ⇔ 170	R: 100–0% V: 100–0% A: 100%
		171 ⇔ 200	RVAB: 100%
		201 ⇔ 205	Blanco 1
		206 ⇔ 210	Blanco 2
		211 ⇔ 215	Blanco 3
		216 ⇔ 220	Blanco 4
		221 ⇔ 225	Blanco 5
		226 ⇔ 230	Blanco 6
		231 ⇔ 235	Blanco 7
236 ⇔ 240	Blanco 8		
241 ⇔ 245	Blanco 9		
246 ⇔ 250	Blanco 10		
251 ⇔ 255	Blanco 11		

Canal	Función	Valor	Porcentaje/Configuración
12	Estroboscopio Especial	000 ⇔ 009	Sin función
		010 ⇔ 099	Lento a rápido
		100 ⇔ 109	Sin función
		110 ⇔ 179	Efecto de iluminación, lento a rápido
		180 ⇔ 189	Sin función
		190 ⇔ 255	Aleatorio
	Estroboscopio Clásico	000 ⇔ 009	Sin función
		010 ⇔ 019	1 Hz
		020 ⇔ 029	2 Hz
		030 ⇔ 039	3 Hz
		040 ⇔ 049	4 Hz
		050 ⇔ 059	5 Hz
		060 ⇔ 069	6 Hz
		070 ⇔ 079	7 Hz
		080 ⇔ 089	8 Hz
		090 ⇔ 099	9 Hz
		100 ⇔ 109	10 Hz
		110 ⇔ 119	11 Hz
		120 ⇔ 129	12 Hz
		130 ⇔ 139	13 Hz
		140 ⇔ 149	14 Hz
		150 ⇔ 159	15 Hz
		160 ⇔ 169	16 Hz
		170 ⇔ 179	17 Hz
		180 ⇔ 189	18 Hz
		190 ⇔ 199	19 Hz
200 ⇔ 255	20 Hz		
13	Programas	000 ⇔ 020	Sin función
		021 ⇔ 030	Auto 1
		031 ⇔ 040	Auto 2
		041 ⇔ 050	Auto 3
		051 ⇔ 060	Auto 4
		061 ⇔ 070	Auto 5
		071 ⇔ 080	Auto 6
		081 ⇔ 090	Auto 7
		091 ⇔ 100	Auto 8
		101 ⇔ 110	Auto 9
		111 ⇔ 120	Auto 10
		121 ⇔ 130	Personalizado 1
		131 ⇔ 140	Personalizado 2
		141 ⇔ 150	Personalizado 3
		151 ⇔ 160	Personalizado 4
		161 ⇔ 170	Personalizado 5
		171 ⇔ 180	Personalizado 6
		181 ⇔ 190	Personalizado 7

*Seleccione la función estroboscopio en el menú principal bajo **SET > STRB > CLAS** o **SPRC**

Canal	Función	Valor	Porcentaje/Configuración
13	Programas	191 ⇔ 200	Personalizado 8
		201 ⇔ 210	Personalizado 9
		211 ⇔ 220	Personalizado 10
		221 ⇔ 255	Sin función
14	Velocidad Automática	000 ⇔ 255	0–100%
15	Velocidad Atenuador	000 ⇔ 009	Preconfigura la velocidad del atenuador desde la pantalla de menú
		010 ⇔ 029	Atenuador lineal
		030 ⇔ 069	Curva de atenuación no-lineal 1 (la más rápida)
		070 ⇔ 129	Curva de atenuación no-lineal 2
		130 ⇔ 189	Curva de atenuación no-lineal 3
		190 ⇔ 255	Curva de atenuación no-lineal 4 (la más lenta)

8BIT

Canal	Función	Valor	Porcentaje/Configuración
1	Atenuador	000 ⇔ 255	0–100%
2	Rojo	000 ⇔ 255	0–100% (Duración del Paso si Personalizado 1–10 está activo)
3	Verde	000 ⇔ 255	0–100% (Duración del Fade si Personalizado 1–10 está activo)
4	Azul	000 ⇔ 255	0–100%
5	Blanco	000 ⇔ 255	0–100%
6	Macro de Color + Equilibrio de Blancos	000 ⇔ 010	Sin función
		011 ⇔ 030	R: 100% V: 0–100% A: 0%
		031 ⇔ 050	R: 100–0% V: 100% A: 0%
		051 ⇔ 070	R: 0% V: 100% A: 0–100%
		071 ⇔ 090	R: 0% V: 100–0% A: 100%
		091 ⇔ 110	R: 0–100% V: 0% A: 100%
		111 ⇔ 130	R: 100% V: 0% A: 100–0%
		131 ⇔ 150	R: 100% V: 0–100% A: 0–100%
		151 ⇔ 170	R: 100–0% V: 100–0% A: 100%
		171 ⇔ 200	RVAB: 100%
		201 ⇔ 205	Blanco 1
		206 ⇔ 210	Blanco 2
		211 ⇔ 215	Blanco 3
		216 ⇔ 220	Blanco 4
		221 ⇔ 225	Blanco 5
		226 ⇔ 230	Blanco 6
		231 ⇔ 235	Blanco 7
236 ⇔ 240	Blanco 8		
241 ⇔ 245	Blanco 9		
246 ⇔ 250	Blanco 10		
251 ⇔ 255	Blanco 11		

Canal	Función	Valor	Porcentaje/Configuración
7	Estroboscopio Especial	000 ⇔ 009	Sin función
		010 ⇔ 099	Lento a rápido
		100 ⇔ 109	Sin función
		110 ⇔ 179	Efecto de iluminación, lento a rápido
		180 ⇔ 189	Sin función
		190 ⇔ 255	Aleatorio
	Estroboscopio Clásico	000 ⇔ 009	Sin función
		010 ⇔ 019	1 Hz
		020 ⇔ 029	2 Hz
		030 ⇔ 039	3 Hz
		040 ⇔ 049	4 Hz
		050 ⇔ 059	5 Hz
		060 ⇔ 069	6 Hz
		070 ⇔ 079	7 Hz
		080 ⇔ 089	8 Hz
		090 ⇔ 099	9 Hz
		100 ⇔ 109	10 Hz
		110 ⇔ 119	11 Hz
		120 ⇔ 129	12 Hz
		130 ⇔ 139	13 Hz
140 ⇔ 149	14 Hz		
150 ⇔ 159	15 Hz		
160 ⇔ 169	16 Hz		
170 ⇔ 179	17 Hz		
180 ⇔ 189	18 Hz		
190 ⇔ 199	19 Hz		
200 ⇔ 255	20 Hz		
8	Programas	000 ⇔ 020	Sin función
		021 ⇔ 030	Auto 1
		031 ⇔ 040	Auto 2
		041 ⇔ 050	Auto 3
		051 ⇔ 060	Auto 4
		061 ⇔ 070	Auto 5
		071 ⇔ 080	Auto 6
		081 ⇔ 090	Auto 7
		091 ⇔ 100	Auto 8
		101 ⇔ 110	Auto 9
		111 ⇔ 120	Auto 10
		121 ⇔ 130	Personalizado 1
		131 ⇔ 140	Personalizado 2
		141 ⇔ 150	Personalizado 3
		151 ⇔ 160	Personalizado 4
		161 ⇔ 170	Personalizado 5
		171 ⇔ 180	Personalizado 6
		181 ⇔ 190	Personalizado 7
191 ⇔ 200	Personalizado 8		

*Seleccione la función estroboscopio en el menú principal bajo **SET** > **STRB** > **CLAS** o **SPRC**

Canal	Función	Valor	Porcentaje/Configuración
8	Programas	201 ⇔ 210	Personalizado 9
		211 ⇔ 220	Personalizado 10
		221 ⇔ 255	Sin función
9	Velocidad Automática	000 ⇔ 255	0–100%
10	Velocidad Atenuador	000 ⇔ 009	Preconfigura la velocidad del atenuador desde la pantalla de menú
		010 ⇔ 029	Atenuador lineal
		030 ⇔ 069	Curva de atenuación no-lineal 1 (la más rápida)
		070 ⇔ 129	Curva de atenuación no-lineal 2
		130 ⇔ 189	Curva de atenuación no-lineal 3
		190 ⇔ 255	Curva de atenuación no-lineal 4 (la más lenta)

SSP

Canal	Función	Valor	Porcentaje/Configuración
1	Atenuador	000 ⇔ 255	0–100%
2	Rojo	000 ⇔ 255	0–100% (Duración del Paso si Personalizado 1–10 está activo)
3	Verde	000 ⇔ 255	0–100% (Duración del Fade si Personalizado 1–10 está activo)
4	Azul	000 ⇔ 255	0–100%
5	Blanco	000 ⇔ 255	0–100%
6	Estroboscopio Especial	000 ⇔ 009	Sin función
		010 ⇔ 099	Lento a rápido
		100 ⇔ 109	Sin función
		110 ⇔ 179	Efecto de iluminación, lento a rápido
		180 ⇔ 189	Sin función
		190 ⇔ 255	Aleatorio
	Estroboscopio Clásico	000 ⇔ 009	Sin función
		010 ⇔ 019	1 Hz
		020 ⇔ 029	2 Hz
		030 ⇔ 039	3 Hz
		040 ⇔ 049	4 Hz
		050 ⇔ 059	5 Hz
		060 ⇔ 069	6 Hz
		070 ⇔ 079	7 Hz
		080 ⇔ 089	8 Hz
		090 ⇔ 099	9 Hz
		100 ⇔ 109	10 Hz
		110 ⇔ 119	11 Hz
		120 ⇔ 129	12 Hz
130 ⇔ 139	13 Hz		
140 ⇔ 149	14 Hz		
150 ⇔ 159	15 Hz		
160 ⇔ 169	16 Hz		
170 ⇔ 179	17 Hz		
180 ⇔ 189	18 Hz		
190 ⇔ 199	19 Hz		
		200 ⇔ 255	20 Hz

*Seleccione la función estroboscopio en el menú principal bajo **SET** > **STRB** > **CLAS** o **SPRC**

ES

Canal	Función	Valor	Porcentaje/Configuración
7	Velocidad Atenuador	000 ⇔ 009	Preconfigura la velocidad del atenuador desde la pantalla de menú
		010 ⇔ 029	Atenuador lineal
		030 ⇔ 069	Curva de atenuación no-lineal 1 (la más rápida)
		070 ⇔ 129	Curva de atenuación no-lineal 2
		130 ⇔ 189	Curva de atenuación no-lineal 3
		190 ⇔ 255	Curva de atenuación no-lineal 4 (la más lenta)

AR2.S

Canal	Función	Valor	Porcentaje/Configuración
1	Atenuador	000 ⇔ 255	0–100%
2	Rojo	000 ⇔ 255	0–100%
3	Verde	000 ⇔ 255	0–100%
4	Azul	000 ⇔ 255	0–100%
5	Blanco	000 ⇔ 255	0–100%
6	Estroboscopio	000 ⇔ 255	0–20 Hz

AR2.D

Canal	Función	Valor	Porcentaje/Configuración
1	Atenuador	000 ⇔ 255	0–100%
2	Rojo	000 ⇔ 255	0–100%
3	Verde	000 ⇔ 255	0–100%
4	Azul	000 ⇔ 255	0–100%
5	Blanco	000 ⇔ 255	0–100%

ARC.2

Canal	Función	Valor	Porcentaje/Configuración
1	Rojo	000 ⇔ 255	0–100%
2	Verde	000 ⇔ 255	0–100%
3	Azul	000 ⇔ 255	0–100%
4	Blanco	000 ⇔ 255	0–100%

DMX Value RGB Mode

TR16

Canal	Función	Valor	Porcentaje/Configuración
1	Atenuador	000 ⇔ 255	0–100%
2	Atenuador fino	000 ⇔ 255	0–100%
3	Rojo	000 ⇔ 255	0–100% (Duración del Paso si Personalizado 1–10 está activo)
4	Rojo nítido	000 ⇔ 255	0–100% (Duración del Fade si Personalizado 1–10 está activo)
5	Verde	000 ⇔ 255	0–100%
6	Verde nítido	000 ⇔ 255	0–100%
7	Azul	000 ⇔ 255	0–100%
8	Azul nítido	000 ⇔ 255	0–100%
9	Macro de Color + Equilibrio de Blancos	000 ⇔ 010	Sin función
		011 ⇔ 030	R: 100% V: 0–100% A: 0%
		031 ⇔ 050	R: 100–0% V: 100% A: 0%
		051 ⇔ 070	R: 0% V: 100% A: 0–100%
		071 ⇔ 090	R: 0% V: 100–0% A: 100%
091 ⇔ 110	R: 0–100% V: 0% A: 100%		

Canal	Función	Valor	Porcentaje/Configuración		
9	Macro de Color + Equilibrio de Blancos	111 ⇔ 130	R: 100%	V: 0%	A: 100-0%
		131 ⇔ 150	R: 100%	V: 0-100%	A: 0-100%
		151 ⇔ 170	R: 100-0%	V: 100-0%	A: 100%
		171 ⇔ 200	RVAB: 100%		
		201 ⇔ 205	Blanco 1		
		206 ⇔ 210	Blanco 2		
		211 ⇔ 215	Blanco 3		
		216 ⇔ 220	Blanco 4		
		221 ⇔ 225	Blanco 5		
		226 ⇔ 230	Blanco 6		
		231 ⇔ 235	Blanco 7		
		236 ⇔ 240	Blanco 8		
		241 ⇔ 245	Blanco 9		
		246 ⇔ 250	Blanco 10		
251 ⇔ 255	Blanco 11				
10	Estroboscopio Especial	000 ⇔ 009	Sin función		
		010 ⇔ 099	Lento a rápido		
		100 ⇔ 109	Sin función		
		110 ⇔ 179	Efecto de iluminación, lento a rápido		
		180 ⇔ 189	Sin función		
		190 ⇔ 255	Aleatorio		
	Estroboscopio Clásico	000 ⇔ 009	Sin función		
		010 ⇔ 019	1 Hz		
		020 ⇔ 029	2 Hz		
		030 ⇔ 039	3 Hz		
		040 ⇔ 049	4 Hz		
		050 ⇔ 059	5 Hz		
		060 ⇔ 069	6 Hz		
		070 ⇔ 079	7 Hz		
		080 ⇔ 089	8 Hz		
		090 ⇔ 099	9 Hz		
		100 ⇔ 109	10 Hz		
		110 ⇔ 119	11 Hz		
		120 ⇔ 129	12 Hz		
		130 ⇔ 139	13 Hz		
140 ⇔ 149	14 Hz				
150 ⇔ 159	15 Hz				
160 ⇔ 169	16 Hz				
170 ⇔ 179	17 Hz				
180 ⇔ 189	18 Hz				
190 ⇔ 199	19 Hz				
200 ⇔ 255	20 Hz				
11	Programas	000 ⇔ 020	Sin función		
		021 ⇔ 030	Auto 1		
		031 ⇔ 040	Auto 2		
		041 ⇔ 050	Auto 3		
		051 ⇔ 060	Auto 4		

*Seleccione la función estroboscopio en el menú principal bajo **SET > STRB > CLAS o SPRC**

ES

Canal	Función	Valor	Porcentaje/Configuración
11	Programas	061 ⇔ 070	Auto 5
		071 ⇔ 080	Auto 6
		081 ⇔ 090	Auto 7
		091 ⇔ 100	Auto 8
		101 ⇔ 110	Auto 9
		111 ⇔ 120	Auto 10
		121 ⇔ 130	Personalizado 1
		131 ⇔ 140	Personalizado 2
		141 ⇔ 150	Personalizado 3
		151 ⇔ 160	Personalizado 4
		161 ⇔ 170	Personalizado 5
		171 ⇔ 180	Personalizado 6
		181 ⇔ 190	Personalizado 7
		191 ⇔ 200	Personalizado 8
201 ⇔ 210	Personalizado 9		
211 ⇔ 220	Personalizado 10		
221 ⇔ 255	Sin función		
14	Velocidad Automática	000 ⇔ 255	0–100%
15	Velocidad Atenuador	000 ⇔ 009	Preconfigura la velocidad del atenuador desde la pantalla de menú
		010 ⇔ 029	Atenuador lineal
		030 ⇔ 069	Curva de atenuación no-lineal 1 (la más rápida)
		070 ⇔ 129	Curva de atenuación no-lineal 2
		130 ⇔ 189	Curva de atenuación no-lineal 3
		190 ⇔ 255	Curva de atenuación no-lineal 4 (la más lenta)

TOUR

Canal	Función	Valor	Porcentaje/Configuración
1	Atenuador	000 ⇔ 255	0–100%
2	Rojo	000 ⇔ 255	0–100% (Duración del Paso si Personalizado 1–10 está activo)
3	Verde	000 ⇔ 255	0–100% (Duración del Fade si Personalizado 1–10 está activo)
4	Azul	000 ⇔ 255	0–100%
5	Macro de Color + Equilibrio de Blancos	000 ⇔ 010	Sin función
		011 ⇔ 030	R: 100% V: 0–100% A: 0%
		031 ⇔ 050	R: 100–0% V: 100% A: 0%
		051 ⇔ 070	R: 0% V: 100% A: 0–100%
		071 ⇔ 090	R: 0% V: 100–0% A: 100%
		091 ⇔ 110	R: 0–100% V: 0% A: 100%
		111 ⇔ 130	R: 100% V: 0% A: 100–0%
		131 ⇔ 150	R: 100% V: 0–100% A: 0–100%
		151 ⇔ 170	R: 100–0% V: 100–0% A: 100%
		171 ⇔ 200	RVAB: 100%
		201 ⇔ 205	Blanco 1
		206 ⇔ 210	Blanco 2
211 ⇔ 215	Blanco 3		

Canal	Función	Valor	Porcentaje/Configuración
5	Macro de Color + Equilibrio de Blancos	216 ⇔ 220	Blanco 4
		221 ⇔ 225	Blanco 5
		226 ⇔ 230	Blanco 6
		231 ⇔ 235	Blanco 7
		236 ⇔ 240	Blanco 8
		241 ⇔ 245	Blanco 9
		246 ⇔ 250	Blanco 10
		251 ⇔ 255	Blanco 11
6	Estroboscopio Especial	000 ⇔ 009	Sin función
		010 ⇔ 099	Lento a rápido
		100 ⇔ 109	Sin función
		110 ⇔ 179	Efecto de iluminación, lento a rápido
		180 ⇔ 189	Sin función
		190 ⇔ 255	Aleatorio
	Estroboscopio Clásico	000 ⇔ 009	Sin función
		010 ⇔ 019	1 Hz
		020 ⇔ 029	2 Hz
		030 ⇔ 039	3 Hz
		040 ⇔ 049	4 Hz
		050 ⇔ 059	5 Hz
		060 ⇔ 069	6 Hz
		070 ⇔ 079	7 Hz
		080 ⇔ 089	8 Hz
		090 ⇔ 099	9 Hz
		100 ⇔ 109	10 Hz
		110 ⇔ 119	11 Hz
		120 ⇔ 129	12 Hz
		130 ⇔ 139	13 Hz
140 ⇔ 149	14 Hz		
150 ⇔ 159	15 Hz		
160 ⇔ 169	16 Hz		
170 ⇔ 179	17 Hz		
180 ⇔ 189	18 Hz		
190 ⇔ 199	19 Hz		
200 ⇔ 255	20 Hz		
7	Programas	000 ⇔ 020	Sin función
		021 ⇔ 030	Auto 1
		031 ⇔ 040	Auto 2
		041 ⇔ 050	Auto 3
		051 ⇔ 060	Auto 4
		061 ⇔ 070	Auto 5
		071 ⇔ 080	Auto 6
		081 ⇔ 090	Auto 7
		091 ⇔ 100	Auto 8
		101 ⇔ 110	Auto 9
		111 ⇔ 120	Auto 10

*Seleccione la función estroboscopio en el menú principal bajo **SET > STRB > CLAS** o **SPRC**

ES

Canal	Función	Valor	Porcentaje/Configuración
7	Programas	121 ⇔ 130	Personalizado 1
		131 ⇔ 140	Personalizado 2
		141 ⇔ 150	Personalizado 3
		151 ⇔ 160	Personalizado 4
		161 ⇔ 170	Personalizado 5
		171 ⇔ 180	Personalizado 6
		181 ⇔ 190	Personalizado 7
		191 ⇔ 200	Personalizado 8
		201 ⇔ 210	Personalizado 9
		211 ⇔ 220	Personalizado 10
		221 ⇔ 255	Sin función
8	Velocidad Automática	000 ⇔ 255	0–100%
9	Velocidad Atenuador	000 ⇔ 009	Preconfigura la velocidad del atenuador desde la pantalla de menú
		010 ⇔ 029	Atenuador lineal
		030 ⇔ 069	Curva de atenuación no-lineal 1 (la más rápida)
		070 ⇔ 129	Curva de atenuación no-lineal 2
		130 ⇔ 189	Curva de atenuación no-lineal 3
		190 ⇔ 255	Curva de atenuación no-lineal 4 (la más lenta)

AR1.D

Canal	Función	Valor	Porcentaje/Configuración
1	Atenuador	000 ⇔ 255	0–100%
2	Rojo	000 ⇔ 255	0–100%
3	Verde	000 ⇔ 255	0–100%
4	Azul	000 ⇔ 255	0–100%

À Propos de ce Manuel

Le Manuel de Référence du Colorado 1 Quad (MdR) reprend des informations de base sur cet appareil notamment en matière de connexions, montage, options de menu et valeurs DMX. Télécharger le Manuel d'Utilisation sur www.chauvetprofessional.com pour de plus amples informations.

Clause de Non-Responsabilité

Les informations et caractéristiques contenues dans ce manuel sont sujettes à changement sans préavis.

GARANTIE LIMITÉE

VEUILLEZ VISITER NOTRE SITE INTERNET POUR CONSULTER LES MODALITÉS D'ENREGISTREMENT DE LA GARANTIE ET LES CONDITIONS GÉNÉRALES COMPLÈTES.

Pour les clients aux États-Unis et au Mexique: www.chauvetlighting.com/warranty-registration.

Pour les clients du Royaume-Uni, de la République d'Irlande, de la Belgique, des Pays-Bas, du Luxembourg, de la France et de l'Allemagne: www.chauvetlighting.eu/warranty-registration.

Chauvet garantit que cet appareil est exempt de défauts de matériaux et de fabrication dans des conditions normales d'utilisation, pendant la période spécifiée dans la garantie limitée complète consultable sur notre site Internet et sous réserve des exclusions et limitations qui y sont énoncées. Cette garantie ne s'applique qu'à l'acheteur initial du produit et n'est pas transférable. Pour exercer les droits prévus par cette garantie, vous devez fournir une preuve d'achat sous la forme d'un reçu de vente original d'un revendeur autorisé qui indique le nom du produit et la date d'achat. IL N'EXISTE AUCUNE AUTRE GARANTIE EXPRESSE OU IMPLICITE. Cette garantie vous confère des droits légaux spécifiques. Vous pouvez également bénéficier d'autres droits qui varient selon les états et les pays. Cette garantie n'est valable qu'aux États-Unis, au Royaume-Uni, en République d'Irlande, en Belgique, aux Pays-Bas, au Luxembourg, en France, en Allemagne et au Mexique. Pour connaître les conditions de garantie dans d'autres pays, veuillez consulter votre revendeur local.

Consignes de Sécurité

- N'ouvrez PAS cet appareil. Il ne contient aucun composant susceptible d'être réparé par l'utilisateur.
- Durant les périodes de non-utilisation, pour éviter toute usure inutile et pour prolonger la durée de vie, déconnectez entièrement l'appareil en le débranchant de l'alimentation électrique ou en coupant le disjoncteur.
- Ne regardez PAS la source lumineuse lorsque l'appareil fonctionne.
- ATTENTION: le boîtier de cet appareil est brûlant lors du fonctionnement.
- Montez toujours cet appareil dans un endroit bien ventilé, à au moins, 20 pouces (50 cm) des surfaces adjacentes.
- Ne laissez AUCUNE source inflammable dans un rayon de 50 cm de l'appareil lorsque celui-ci fonctionne.
- Attention : Lorsque l'appareil est transféré d'un environnement à température extrême à un autre (par exemple d'un camion froid vers une salle de bal chaude et humide), de la condensation peut se former sur les composants électriques internes. Pour éviter de causer des dommages, laissez l'appareil s'acclimater entièrement au milieu environnant avant de le mettre sous tension.
- Ne convient pas aux installations permanentes en extérieur sur des sites sujets à des conditions environnementales extrêmes. Cela inclut par exemple :
 - L'exposition à un environnement marin ou à une solution saline (à moins de 4,8 kilomètres d'un corps d'eau salée).
 - Lorsque les températures moyennes hautes ou basses du site dépassent les plages de températures indiquées dans ce manuel.
 - Les sites qui sont sujets aux inondations ou qui présentent un risque d'être ensevelis sous la neige.
 - Tout autre endroit où le produit risque d'être soumis à des rayonnements extrêmes ou à des substances caustiques.
- Utilisez TOUJOURS un câble de sécurité lorsque vous montez cet appareil en hauteur.
- N'immergez PAS ce produit (IP 65). Un usage normal en extérieur est autorisé.
- N'utilisez PAS cet appareil si le boîtier, les lentilles ou les câbles vous semblent endommagés.
- Ne connectez PAS cet appareil ni à un gradateur ni à un rhéostat.
- Connectez UNIQUEMENT cet appareil à un circuit protégé et relié à la terre.
- Transportez/Suspendez cet appareil UNIQUEMENT par le support de montage dont il est doté.
- En cas de sérieux problèmes de fonctionnement, arrêtez le système immédiatement.
- La température ambiante maximale supportée par cet appareil est de 113 °F (45 °C). Ne le faites pas fonctionner à des températures plus élevées.

Contact

En dehors des États-Unis, du Royaume-Uni, de l'Irlande, du Benelux, de la France, de l'Allemagne, ou du Mexique, contactez votre fournisseur si vous avez besoin d'assistance ou pour retourner un appareil. Référez-vous à [Contact Us](#) à la fin de ce MdR pour obtenir des informations pour nous contacter.

Ce Qui est Inclus

- Colorado 1 Quad
- Seetronic Powerkon IP65 cordon d'alimentation
- Cadre pour gélatine (191 mm/7,5 in accessoires)
- Manuel de Référence

Alimentation CA

Cet appareil est doté d'une alimentation universelle prenant en charge toute tension d'entrée comprise entre 100 et 240 VCA, 50/60 Hz.

Connexion Électrique

Vous pouvez connecter entre eux jusqu'à 15 Colorado 1 Quad à 120 V, 25 unités à 208 V, ou 27 unités à 230 V. Ne dépassez jamais cette limite. Vous pouvez vous procurer séparément des cordons d'alimentation.

Prise CA

Connexion	Câble (États-Unis)	Câble (Europe)	Couleur de la vis
Conducteur CA	Noir	Marron	Jaune/Cuivré
Neutre CA	Blanc	Bleu	Argenté
Terre CA	Vert/Jaune	Vert/Jaune	Vert



- **Durant les périodes de non-utilisation, pour éviter toute usure inutile et pour prolonger la durée de vie, déconnectez-entièrement l'appareil en le débranchant de l'alimentation électrique ou en coupant le disjoncteur.**
- **Lors de l'utilisation de cet appareil en environnement extérieur, utilisez des câbles de données certifiés IP65 au minimum. Assurez-vous de protéger les ports d'alimentation et de données non utilisés avec les couvercles IP 65 fournis.**

Raccordement DMX

Le Colorado 1 Quad fonctionnera avec une console DMX au moyen de connexions DMX en série standard. Une introduction au DMX est à votre disposition sur www.chauvetprofessional.com.

Connexion DMX

Le Colorado 1 Quad utilise une connexion de données DMX standard pour ses personnalités DMX. Consultez le Manuel d'Utilisation pour connecter et configurer le système DMX.



Lors de l'utilisation de cet appareil dans un environnement extérieur de type IP65, assurez-vous d'utiliser des câbles certifiés IP65 (ou mieux) et de protéger les ports non utilisés avec les couvercles IP65 inclus.

Connexion Maître/ Esclave

Le Colorado 1 Quad utilise une connexion de données DMX pour son mode Maître/Esclave. Consultez le Manuel d'Utilisation pour connecter et configurer le mode de fonctionnement Maître/Esclave.

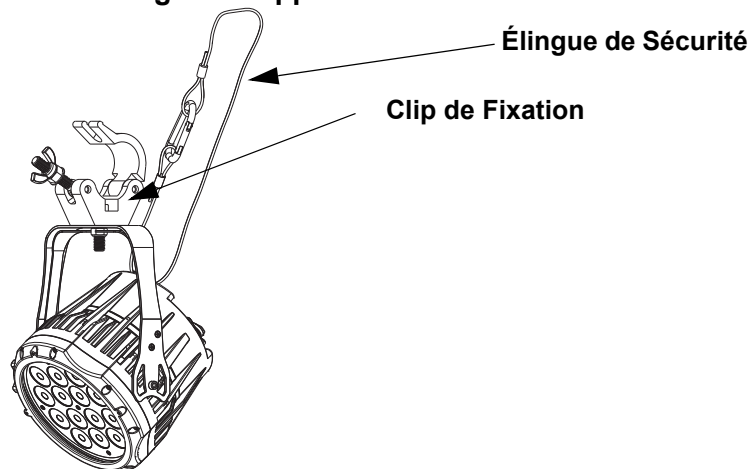
RDM (Gestion des périphériques à distance)

Le protocole RDM (gestion des périphériques à distance) est un standard pour la communication bidirectionnelle des appareils dotés de fonctions DMX dans un câblage DMX existant. Le Colorado 1 Quad supporte le protocole RDM permettant un retour d'information pour la surveillance et des changements des options de menu. Veuillez télécharger le manuel de l'utilisateur à partir du site internet www.chauvetprofessional.com pour plus de détails.

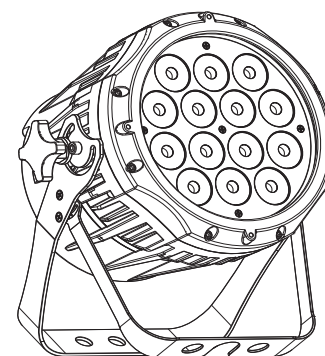
Installation

Avant de monter cet appareil, lisez et assimilez les [Consignes de Sécurité](#). Utilisez au moins deux points de fixation par appareil. Soyez sûr que les crochets sont capables de supporter le poids du produit. Pour voir notre gamme de crochets, rendez-vous sur <http://trusst.com/productcategory/truss-clamps>.

Schéma de Montage de l'Appareil



Montage en Hauteur



Montage au Sol

Description du Tableau de Commandes

Bouton	Fonction
<MENU>	Permet la sortie du menu ou de la fonction en cours
<ENTER>	Permet l'affichage du menu en cours ou permet de configurer la valeur en cours dans la fonction sélectionnée
<UP>	Permet de parcourir les listes ou les menus vers le haut, dans une fonction permet d'augmenter les valeurs numériques
<DOWN>	Permet de parcourir les listes ou les menus vers le bas, dans une fonction permet de diminuer les valeurs numériques

Code d'accès

Une fois affiché, saisissez le code d'accès suivant comme suit:

<UP>, <DOWN>, <UP>, <DOWN>, <ENTER>

Ce code ne peut pas être modifié et doit être saisi sur demande.

Plan du Menu

Niveau Principal	Niveaux de Programmation		Description		
STAT	R.	000-255	Combine les couleurs rouge, vert, bleu et blanc pour un résultat personnalisé (0-100%)		
	G.				
	B.				
	W.				
	ST.	00-20	Sélectionne la fréquence du stroboscope (0-20 Hz)		
AUTO	AT.01-10		10 programmes automatiques		
	PR.01-10		10 programmes - personnaliser		
RUN	DMX		Mode DMX		
	SLAV		Mode esclave		
DMX	D.001-512		Permet de sélectionner l'adresse de démarrage		
PERS	RGB	TOUR	9-canaux: RVB, gradateur, stroboscope, macro de couleurs, auto/perso, Vitesse du Gradateur, Vitesse Auto		
		TR16	13-canaux: 16-bit RVB et gradateur, stroboscope, macro de couleurs, auto/perso, vitesse gradateur, Vitesse Auto		
		AR1.D	4-canaux: RVB, gradateur		
	RGBW	8BIT	10-canaux: RVBb, gradateur, stroboscope, macro de couleurs, auto/perso, vitesse gradateur, Vitesse Auto		
		16BI	15-canaux: 16-bit RVBb et gradateur, stroboscope, macro de couleurs, auto/perso, vitesse gradateur, Vitesse Auto		
		SSP	7-canaux: RVBb, gradateur, stroboscope, vitesse gradateur		
		ARC.2	4-canaux: RVBb control		
		AR2.D	5-canaux: RVBb, gradateur		
		AR2.S	6-canaux: RVBb, gradateur, stroboscope		
		EDIT	PR.01-10	SC.01-30	R.
G.					
B.					
W.					
SB.	00-20		Permet la sélection de la fréquence du stroboscope (0-20 Hz)		

Niveau Principal	Niveaux de Programmation				Description		
EDIT	PR.01-10	SC.01-30	T.	000-255	Définit la durée de pas (lent a rapide)		
			F.		Définit la durée du fondu (lent a rapide)		
					Définit la durée de pas (lent a rapide)		
SET	UPLD	**** (Saisir le code d'accès)	OK		Télécharge les programmes personnalisés sur d'autres Colorado 1 Quad products		
	REST		WAIT	OK	Retour aux réglages d'usine par défaut		
	COLO		OFF		RVB configuré sur 255 = sortie max.		
			RGBW		RVB configuré sur 255 = balance des blancs		
			UC		Balance des couleurs universelle		
	DIM		OFF		Pas de gradateur		
			DIM1		Profils de gradation de DIM1 (rapide) à DIM4 (lent)		
			DIM2				
			DIM3				
			DIM4				
	CURV		OFF		Pas de gradateur		
			CV1		Courbes de gradation de CV1 (rapide) à CV3 (lent)		
			CV2				
			CV3				
	DERR		SAVE		En cas de perte de commande DMX, la dernière commande se maintiendra		
			BLAK		Met l'unité en noir général en cas de perte de signal DMX		
	SLCK		OFF		Verrouillage de l'accès au niveau principal		
			ON				
	STRB		CLAS		Sélectionne la personnalité du stroboscope		
			SPRC				
PWM		600		Permet de sélectionner la fréquence de sortie MLI			
		1200					
		2000					
		2400					
		4000					
		6000					
		25K					
CAL	**** (Saisir le code d'accès)	CAL1	WH.01-11	R.	000-255	Modifie les couleurs des macros utilisées dans les personnalités TOUR , 8BIT , 16BI , et TR16	
				G.			
				B.			
				W.			
		CAL2	RGBW	R.		Définit la température de la couleur utilisée quand COLO est configuré sur RGBW	
				G.			
				B.			
		CALR	**** (Saisir le code d'accès)	CALR		OK	Retour aux CAL réglages d'usine par défaut
		KEY	ON				Active ou désactive le code d'accès
OFF							
INFO	VERS		V__		Affiche la version du logiciel installée		

Valeurs DMX
16BI

Canal	Fonction	Valeur	Pourcentage/Configuration
1	Gradateur	000 ⇔ 255	0–100%
2	Gradateur fin	000 ⇔ 255	0–100%
3	Rouge	000 ⇔ 255	0–100% (Duree de Pas si Personnalisé 1-10 est active)
4	Rouge fin	000 ⇔ 255	0–100% (Duree du Fond si Personnalisé 1-10 est active)
5	Vert	000 ⇔ 255	0–100%
6	Vert fin	000 ⇔ 255	0–100%
7	Bleu	000 ⇔ 255	0–100%
8	Bleu fin	000 ⇔ 255	0–100%
9	Blanc	000 ⇔ 255	0–100%
10	Blanc fin	000 ⇔ 255	0–100%
11	Macros de Couleurs	000 ⇔ 010	Pas de fonction
		011 ⇔ 030	R: 100% V: 0–100% B: 0%
		031 ⇔ 050	R: 100–0% V: 100% B: 0%
		051 ⇔ 070	R: 0% V: 100% B: 0–100%
		071 ⇔ 090	R: 0% V: 100–0% B: 100%
		091 ⇔ 110	R: 0–100% V: 0% B: 100%
		111 ⇔ 130	R: 100% V: 0% B: 100–0%
		131 ⇔ 150	R: 100% V: 0–100% B: 0–100%
		151 ⇔ 170	R: 100–0% V: 100–0% B: 100%
		171 ⇔ 200	RVBb: 100%
		201 ⇔ 205	Blanc 1
		206 ⇔ 210	Blanc 2
		211 ⇔ 215	Blanc 3
		216 ⇔ 220	Blanc 4
		221 ⇔ 225	Blanc 5
		226 ⇔ 230	Blanc 6
		231 ⇔ 235	Blanc 7
		236 ⇔ 240	Blanc 8
		241 ⇔ 245	Blanc 9
246 ⇔ 250	Blanc 10		
251 ⇔ 255	Blanc 11		
12	Stroboscope spécial	000 ⇔ 009	Pas de fonction
		010 ⇔ 099	Stroboscope, lent à rapide
		100 ⇔ 109	Pas de fonction
		110 ⇔ 179	Lightning Strobe, lent au rapide
		180 ⇔ 189	Pas de fonction
		190 ⇔ 255	Strobe aléatoire, lent à rapide
	Stroboscope classique	000 ⇔ 009	Pas de fonction
		010 ⇔ 019	1 Hz
		020 ⇔ 029	2 Hz
		030 ⇔ 039	3 Hz
		040 ⇔ 049	4 Hz
		050 ⇔ 059	5 Hz
		060 ⇔ 069	6 Hz
070 ⇔ 079	7 Hz		

* Sélectionnez la fonction stroboscopique dans le menu principal sous **SET> STRB> CLAS** ou **SPRC**

FR

Canal	Fonction	Valeur	Pourcentage/Configuration
12	Stroboscope classique	080 ⇔ 089	8 Hz
		090 ⇔ 099	9 Hz
		100 ⇔ 109	10 Hz
		110 ⇔ 119	11 Hz
		120 ⇔ 129	12 Hz
		130 ⇔ 139	13 Hz
		140 ⇔ 149	14 Hz
		150 ⇔ 159	15 Hz
		160 ⇔ 169	16 Hz
		170 ⇔ 179	17 Hz
		180 ⇔ 189	18 Hz
		190 ⇔ 199	19 Hz
200 ⇔ 255	20 Hz		
13	Programmes	000 ⇔ 020	Pas de fonction
		021 ⇔ 030	Auto 1
		031 ⇔ 040	Auto 2
		041 ⇔ 050	Auto 3
		051 ⇔ 060	Auto 4
		061 ⇔ 070	Auto 5
		071 ⇔ 080	Auto 6
		081 ⇔ 090	Auto 7
		091 ⇔ 100	Auto 8
		101 ⇔ 110	Auto 9
		111 ⇔ 120	Auto 10
		121 ⇔ 130	Personnalisé 1
		131 ⇔ 140	Personnalisé 2
		141 ⇔ 150	Personnalisé 3
		151 ⇔ 160	Personnalisé 4
		161 ⇔ 170	Personnalisé 5
171 ⇔ 180	Personnalisé 6		
181 ⇔ 190	Personnalisé 7		
191 ⇔ 200	Personnalisé 8		
201 ⇔ 210	Personnalisé 9		
211 ⇔ 220	Personnalisé 10		
221 ⇔ 255	Pas de fonction		
14	Vitesse Auto	000 ⇔ 255	0-100% (seulement en utilisation avec Auto 1-10)
15	Vitesse du Gradateur	000 ⇔ 009	Vitesse du gradateur prédéfinie depuis le menu
		010 ⇔ 029	Gradateur linéaire
		030 ⇔ 069	Courbe de gradation non linéaire 1 (la plus rapide)
		070 ⇔ 129	Courbe de gradation non linéaire 2
		130 ⇔ 189	Courbe de gradation non linéaire 3
		190 ⇔ 255	Courbe de gradation non linéaire 4 (la moins rapide)

8BIT

Canal	Fonction	Valeur	Pourcentage/Configuration
1	Gradateur	000 ⇔ 255	0-100%
2	Rouge	000 ⇔ 255	0-100% (Duree de Pas si Personnalisé 1-10 est active)

Canal	Fonction	Valeur	Pourcentage/Configuration
3	Vert	000 ⇔ 255	0–100% (Duree du Fond si Personnalisé 1-10 est active)
4	Bleu	000 ⇔ 255	0–100%
5	Blanc	000 ⇔ 255	0–100%
6	Macros de Couleurs	000 ⇔ 010	Pas de fonction
		011 ⇔ 030	R: 100% V: 0–100% B: 0%
		031 ⇔ 050	R: 100–0% V: 100% B: 0%
		051 ⇔ 070	R: 0% V: 100% B: 0–100%
		071 ⇔ 090	R: 0% V: 100–0% B: 100%
		091 ⇔ 110	R: 0–100% V: 0% B: 100%
		111 ⇔ 130	R: 100% V: 0% B: 100–0%
		131 ⇔ 150	R: 100% V: 0–100% B: 0–100%
		151 ⇔ 170	R: 100–0% V: 100–0% B: 100%
		171 ⇔ 200	RVBb: 100%
		201 ⇔ 205	Blanc 1
		206 ⇔ 210	Blanc 2
		211 ⇔ 215	Blanc 3
		216 ⇔ 220	Blanc 4
		221 ⇔ 225	Blanc 5
		226 ⇔ 230	Blanc 6
		231 ⇔ 235	Blanc 7
236 ⇔ 240	Blanc 8		
241 ⇔ 245	Blanc 9		
246 ⇔ 250	Blanc 10		
251 ⇔ 255	Blanc 11		
7	Stroboscope Spécial	000 ⇔ 009	Pas de fonction
		010 ⇔ 099	Stroboscope, lent à rapide
		100 ⇔ 109	Pas de fonction
		110 ⇔ 179	Lightning Strobe, lent au rapide
		180 ⇔ 189	Pas de fonction
		190 ⇔ 255	Strobe aléatoire, lent à rapide
	Stroboscope classique	000 ⇔ 009	Pas de fonction
		010 ⇔ 019	1 Hz
		020 ⇔ 029	2 Hz
		030 ⇔ 039	3 Hz
		040 ⇔ 049	4 Hz
		050 ⇔ 059	5 Hz
		060 ⇔ 069	6 Hz
		070 ⇔ 079	7 Hz
		080 ⇔ 089	8 Hz
		090 ⇔ 099	9 Hz
		100 ⇔ 109	10 Hz
110 ⇔ 119	11 Hz		
120 ⇔ 129	12 Hz		
130 ⇔ 139	13 Hz		
140 ⇔ 149	14 Hz		
150 ⇔ 159	15 Hz		

<p>* Sélectionnez la fonction stroboscopique dans le menu principal sous SET> STRB> CLAS ou SPRC</p>

FR

Canal	Fonction	Valeur	Pourcentage/Configuration
7	Stroboscope classique	160 ⇔ 169	16 Hz
		170 ⇔ 179	17 Hz
		180 ⇔ 189	18 Hz
		190 ⇔ 199	19 Hz
		200 ⇔ 255	20 Hz
8	Programmes	000 ⇔ 020	Pas de fonction
		021 ⇔ 030	Auto 1
		031 ⇔ 040	Auto 2
		041 ⇔ 050	Auto 3
		051 ⇔ 060	Auto 4
		061 ⇔ 070	Auto 5
		071 ⇔ 080	Auto 6
		081 ⇔ 090	Auto 7
		091 ⇔ 100	Auto 8
		101 ⇔ 110	Auto 9
		111 ⇔ 120	Auto 10
		121 ⇔ 130	Personnalisé 1
		131 ⇔ 140	Personnalisé 2
		141 ⇔ 150	Personnalisé 3
		151 ⇔ 160	Personnalisé 4
		161 ⇔ 170	Personnalisé 5
171 ⇔ 180	Personnalisé 6		
181 ⇔ 190	Personnalisé 7		
191 ⇔ 200	Personnalisé 8		
201 ⇔ 210	Personnalisé 9		
211 ⇔ 220	Personnalisé 10		
221 ⇔ 255	Pas de fonction		
9	Vitesse Auto	000 ⇔ 255	0-100% (seulement en utilisation avec Auto 1-10))
10	Vitesse du Gradateur	000 ⇔ 009	Vitesse du gradateur prédéfinie depuis le menu
		010 ⇔ 029	Gradateur linéaire
		030 ⇔ 069	Courbe de gradation non linéaire 1 (la plus rapide)
		070 ⇔ 129	Courbe de gradation non linéaire 2
		130 ⇔ 189	Courbe de gradation non linéaire 3
190 ⇔ 255	Courbe de gradation non linéaire 4 (la moins rapide)		

SSP

Canal	Fonction	Valeur	Pourcentage/Configuration
1	Gradateur	000 ⇔ 255	0-100%
2	Rouge	000 ⇔ 255	0-100%
3	Vert	000 ⇔ 255	0-100%
4	Bleu	000 ⇔ 255	0-100%
5	Blanc	000 ⇔ 255	0-100%
6	Stroboscope Spécial	000 ⇔ 009	Pas de fonction
		010 ⇔ 099	Stroboscope, lent à rapide
		100 ⇔ 109	Pas de fonction
		110 ⇔ 179	Lightning Strobe, lent au rapide

Canal	Fonction	Valeur	Pourcentage/Configuration
6	Stroboscope Spécial	180 ⇔ 189	Pas de fonction
		190 ⇔ 255	Strobe aléatoire, lent à rapide
	Stroboscope classique	000 ⇔ 009	Pas de fonction
		010 ⇔ 019	1 Hz
		020 ⇔ 029	2 Hz
		030 ⇔ 039	3 Hz
		040 ⇔ 049	4 Hz
		050 ⇔ 059	5 Hz
		060 ⇔ 069	6 Hz
		070 ⇔ 079	7 Hz
		080 ⇔ 089	8 Hz
		090 ⇔ 099	9 Hz
		100 ⇔ 109	10 Hz
		110 ⇔ 119	11 Hz
		120 ⇔ 129	12 Hz
		130 ⇔ 139	13 Hz
		140 ⇔ 149	14 Hz
		150 ⇔ 159	15 Hz
		160 ⇔ 169	16 Hz
		170 ⇔ 179	17 Hz
180 ⇔ 189	18 Hz		
190 ⇔ 199	19 Hz		
200 ⇔ 255	20 Hz		
7	Vitesse du Gradateur	000 ⇔ 009	Vitesse du gradateur prédéfinie depuis le menu
		010 ⇔ 029	Gradateur linéaire
		030 ⇔ 069	Courbe de gradation non linéaire 1 (la plus rapide)
		070 ⇔ 129	Courbe de gradation non linéaire 2
		130 ⇔ 189	Courbe de gradation non linéaire 3
		190 ⇔ 255	Courbe de gradation non linéaire 4 (la moins rapide)

* Sélectionnez la fonction stroboscopique dans le menu principal sous **SET> STRB> CLAS** ou **SPRC**

AR2.S

Canal	Fonction	Valeur	Pourcentage/Configuration
1	Gradateur	000 ⇔ 255	0–100%
2	Rouge	000 ⇔ 255	0–100%
3	Vert	000 ⇔ 255	0–100%
4	Bleu	000 ⇔ 255	0–100%
5	Blanc	000 ⇔ 255	0–100%
6	Stroboscope	000 ⇔ 255	0–20Hz

AR2.D

Canal	Fonction	Valeur	Pourcentage/Configuration
1	Gradateur	000 ⇔ 255	0–100%
2	Rouge	000 ⇔ 255	0–100%
3	Vert	000 ⇔ 255	0–100%
4	Bleu	000 ⇔ 255	0–100%
5	Blanc	000 ⇔ 255	0–100%

FR

ARC.2

Canal	Fonction	Valeur	Pourcentage/Configuration
1	Rouge	000 ⇔ 255	0–100%
2	Vert	000 ⇔ 255	0–100%
3	Bleu	000 ⇔ 255	0–100%
4	Blanc	000 ⇔ 255	0–100%

DMX Value RGB Mode

TR16

Canal	Fonction	Valeur	Pourcentage/Configuration
1	Gradateur	000 ⇔ 255	0–100%
2	Gradateur fin	000 ⇔ 255	0–100%
3	Rouge	000 ⇔ 255	0–100% (Duree de Pas si Personnalisé 1-10 est active)
4	Rouge fin	000 ⇔ 255	0–100% (Duree du Fond si Personnalisé 1-10 est active)
5	Vert	000 ⇔ 255	0–100%
6	Vert fin	000 ⇔ 255	0–100%
7	Bleu	000 ⇔ 255	0–100%
8	Bleu fin	000 ⇔ 255	0–100%
9	Macros de Couleurs	000 ⇔ 010	Pas de fonction
		011 ⇔ 030	R: 100% V: 0–100% B: 0%
		031 ⇔ 050	R: 100–0% V: 100% B: 0%
		051 ⇔ 070	R: 0% V: 100% B: 0–100%
		071 ⇔ 090	R: 0% V: 100–0% B: 100%
		091 ⇔ 110	R: 0–100% V: 0% B: 100%
		111 ⇔ 130	R: 100% V: 0% B: 100–0%
		131 ⇔ 150	R: 100% V: 0–100% B: 0–100%
		151 ⇔ 170	R: 100–0% V: 100–0% B: 100%
		171 ⇔ 200	RVBb: 100%
		201 ⇔ 205	Blanc 1
		206 ⇔ 210	Blanc 2
		211 ⇔ 215	Blanc 3
		216 ⇔ 220	Blanc 4
221 ⇔ 225	Blanc 5		
226 ⇔ 230	Blanc 6		
231 ⇔ 235	Blanc 7		
236 ⇔ 240	Blanc 8		
241 ⇔ 245	Blanc 9		
246 ⇔ 250	Blanc 10		
251 ⇔ 255	Blanc 11		
10	Stroboscope Spécial	000 ⇔ 009	Pas de fonction
		010 ⇔ 099	Stroboscope, lent à rapide
		100 ⇔ 109	Pas de fonction
		110 ⇔ 179	Lightning Strobe, lent au rapide
		180 ⇔ 189	Pas de fonction
	190 ⇔ 255	Strobe aléatoire, lent à rapide	
	Stroboscope classique	000 ⇔ 009	Pas de fonction
010 ⇔ 019		1 Hz	
020 ⇔ 029		2 Hz	

* Sélectionnez la fonction stroboscopique dans le menu principal sous **SET> STRB> CLAS** ou **SPRC**

Canal	Fonction	Valeur	Pourcentage/Configuration
10	Stroboscope classique	030 ⇔ 039	3 Hz
		040 ⇔ 049	4 Hz
		050 ⇔ 059	5 Hz
		060 ⇔ 069	6 Hz
		070 ⇔ 079	7 Hz
		080 ⇔ 089	8 Hz
		090 ⇔ 099	9 Hz
		100 ⇔ 109	10 Hz
		110 ⇔ 119	11 Hz
		120 ⇔ 129	12 Hz
		130 ⇔ 139	13 Hz
		140 ⇔ 149	14 Hz
		150 ⇔ 159	15 Hz
		160 ⇔ 169	16 Hz
		170 ⇔ 179	17 Hz
		180 ⇔ 189	18 Hz
		190 ⇔ 199	19 Hz
200 ⇔ 255	20 Hz		
11	Programmes	000 ⇔ 020	Pas de fonction
		021 ⇔ 030	Auto 1
		031 ⇔ 040	Auto 2
		041 ⇔ 050	Auto 3
		051 ⇔ 060	Auto 4
		061 ⇔ 070	Auto 5
		071 ⇔ 080	Auto 6
		081 ⇔ 090	Auto 7
		091 ⇔ 100	Auto 8
		101 ⇔ 110	Auto 9
		111 ⇔ 120	Auto 10
		121 ⇔ 130	Personnalisé 1
		131 ⇔ 140	Personnalisé 2
		141 ⇔ 150	Personnalisé 3
		151 ⇔ 160	Personnalisé 4
		161 ⇔ 170	Personnalisé 5
		171 ⇔ 180	Personnalisé 6
181 ⇔ 190	Personnalisé 7		
191 ⇔ 200	Personnalisé 8		
201 ⇔ 210	Personnalisé 9		
211 ⇔ 220	Personnalisé 10		
221 ⇔ 255	Pas de fonction		
12	Vitesse Auto	000 ⇔ 255	0-100% (seulement en utilisation avec Auto 1-10))
13	Vitesse du Gradateur	000 ⇔ 009	Vitesse du gradateur prédéfinie depuis le menu
		010 ⇔ 029	Gradateur linéaire
		030 ⇔ 069	Courbe de gradation non linéaire 1 (la plus rapide)
		070 ⇔ 129	Courbe de gradation non linéaire 2
		130 ⇔ 189	Courbe de gradation non linéaire 3
190 ⇔ 255	Courbe de gradation non linéaire 4 (la moins rapide)		

FR

TOUR

Canal	Fonction	Valeur	Pourcentage/Configuration
1	Gradateur	000 ⇔ 255	0–100%
2	Rouge	000 ⇔ 255	0–100% (Duree de Pas si Personnalisé 1-10 est active)
3	Vert	000 ⇔ 255	0–100% (Duree du Fond si Personnalisé 1-10 est active)
4	Bleu	000 ⇔ 255	0–100%
5	Macros de Couleurs	000 ⇔ 010	Pas de fonction
		011 ⇔ 030	R: 100% V: 0–100% B: 0%
		031 ⇔ 050	R: 100–0% V: 100% B: 0%
		051 ⇔ 070	R: 0% V: 100% B: 0–100%
		071 ⇔ 090	R: 0% V: 100–0% B: 100%
		091 ⇔ 110	R: 0–100% V: 0% B: 100%
		111 ⇔ 130	R: 100% V: 0% B: 100–0%
		131 ⇔ 150	R: 100% V: 0–100% B: 0–100%
		151 ⇔ 170	R: 100–0% V: 100–0% B: 100%
		171 ⇔ 200	RVBb: 100%
		201 ⇔ 205	Blanc 1
		206 ⇔ 210	Blanc 2
		211 ⇔ 215	Blanc 3
		216 ⇔ 220	Blanc 4
		221 ⇔ 225	Blanc 5
		226 ⇔ 230	Blanc 6
231 ⇔ 235	Blanc 7		
236 ⇔ 240	Blanc 8		
241 ⇔ 245	Blanc 9		
246 ⇔ 250	Blanc 10		
251 ⇔ 255	Blanc 11		
6	Stroboscope Spécial	000 ⇔ 009	Pas de fonction
		010 ⇔ 099	Stroboscope, lent à rapide
		100 ⇔ 109	Pas de fonction
		110 ⇔ 179	Lightning Strobe, lent au rapide
		180 ⇔ 189	Pas de fonction
		190 ⇔ 255	Strobe aléatoire, lent à rapide
	Stroboscope classique	000 ⇔ 009	Pas de fonction
		010 ⇔ 019	1 Hz
		020 ⇔ 029	2 Hz
		030 ⇔ 039	3 Hz
		040 ⇔ 049	4 Hz
		050 ⇔ 059	5 Hz
060 ⇔ 069	6 Hz		
070 ⇔ 079	7 Hz		
080 ⇔ 089	8 Hz		
090 ⇔ 099	9 Hz		
100 ⇔ 109	10 Hz		
110 ⇔ 119	11 Hz		
120 ⇔ 129	12 Hz		

* Sélectionnez la fonction stroboscopique dans le menu principal sous SET> STRB> CLAS ou SPRC

Canal	Fonction	Valeur	Pourcentage/Configuration
6	Stroboscope classique	130 ⇔ 139	13 Hz
		140 ⇔ 149	14 Hz
		150 ⇔ 159	15 Hz
		160 ⇔ 169	16 Hz
		170 ⇔ 179	17 Hz
		180 ⇔ 189	18 Hz
		190 ⇔ 199	19 Hz
		200 ⇔ 255	20 Hz
7	Programmes	000 ⇔ 020	Pas de fonction
		021 ⇔ 030	Auto 1
		031 ⇔ 040	Auto 2
		041 ⇔ 050	Auto 3
		051 ⇔ 060	Auto 4
		061 ⇔ 070	Auto 5
		071 ⇔ 080	Auto 6
		081 ⇔ 090	Auto 7
		091 ⇔ 100	Auto 8
		101 ⇔ 110	Auto 9
		111 ⇔ 120	Auto 10
		121 ⇔ 130	Personnalisé 1
		131 ⇔ 140	Personnalisé 2
		141 ⇔ 150	Personnalisé 3
		151 ⇔ 160	Personnalisé 4
		161 ⇔ 170	Personnalisé 5
171 ⇔ 180	Personnalisé 6		
181 ⇔ 190	Personnalisé 7		
191 ⇔ 200	Personnalisé 8		
201 ⇔ 210	Personnalisé 9		
211 ⇔ 220	Personnalisé 10		
221 ⇔ 255	Pas de fonction		
8	Vitesse Auto	000 ⇔ 255	0-100% (seulement en utilisation avec Auto 1-10))
9	Vitesse du Gradateur	000 ⇔ 009	Vitesse du gradateur prédéfinie depuis le menu
		010 ⇔ 029	Gradateur linéaire
		030 ⇔ 069	Courbe de gradation non linéaire 1 (la plus rapide)
		070 ⇔ 129	Courbe de gradation non linéaire 2
		130 ⇔ 189	Courbe de gradation non linéaire 3
		190 ⇔ 255	Courbe de gradation non linéaire 4 (la moins rapide)

FR

AR1.D

Canal	Fonction	Valeur	Pourcentage/Configuration
1	Gradateur	000 ⇔ 255	0-100%
2	Rouge	000 ⇔ 255	0-100% (Duree de Pas si Personnalisé 1-10 est active)
3	Vert	000 ⇔ 255	0-100% (Duree du Fond si Personnalisé 1-10 est active)
4	Bleu	000 ⇔ 255	0-100%

Über diese Schnellanleitung

In der Schnellanleitung des Colorado 1 Quad finden Sie die wesentlichen Produktinformationen, wie etwa über die Montage, Menüoptionen und DMX-Werte des Geräts. Laden Sie für weiterführende Informationen unter www.chauvetprofessional.com das Benutzerhandbuch herunter.

Haftungsausschluss

Die in dieser Anleitung aufgeführten Informationen und Spezifikationen können ohne vorherige Ankündigung geändert werden.

EINGESCHRÄNKTE GARANTIE

ZUR REGISTRIERUNG FÜR GARANTIEANSPRÜCHE UND ZUR EINSICHT IN DIE VOLLSTÄNDIGEN GESCHÄFTSBEDINGUNGEN BESUCHEN SIE BITTE UNSERE WEBSITE.

Für Kunden in den USA und in Mexiko: www.chauvetlighting.com/warranty-registration.

Für Kunden im Vereinigten Königreich, in Irland, Belgien, den Niederlanden, Luxemburg, Frankreich und Deutschland: www.chauvetlighting.eu/warranty-registration.

Chauvet garantiert für die in der auf unserer Website veröffentlichten vollständigen eingeschränkten Garantie genannten Dauer und unter Vorbehalt der darin genannten Haftungsausschlüsse und -beschränkungen, dass dieses Produkt bei normalen Gebrauch frei von Material- und Verarbeitungsfehlern ist. Diese Garantie erstreckt sich nur auf den Erstkäufer des Produkts und ist nicht übertragbar. Zur Ausübung der unter dieser Garantie gewährten Rechte ist der Kaufbeleg in Form der Originalrechnung von einem autorisierten Händler vorzulegen, in der die Produktbezeichnung und das Kaufdatum vermerkt sein müssen. **ES BESTEHEN KEINE WEITEREN AUSDRÜCKLICHEN ODER STILLSCHWEIGENDEN GARANTIEN.** Diese Garantie gibt Ihnen besondere gesetzliche Rechte. Und Sie haben möglicherweise weitere Rechte, die von Land zu Land unterschiedlich sein können. Diese Garantie ist nur in den USA, im Vereinigten Königreich, in Irland, Belgien, den Niederlanden, Luxemburg, Frankreich, Deutschland und Mexiko gültig. Bezüglich der Garantiebestimmungen in anderen Ländern wenden Sie sich bitte an Ihren lokalen Händler.

Sicherheitshinweise

- Dieses Gerät NICHT öffnen. Die eingebauten Komponenten sind für den Kunden wartungsfrei.
- Um unnötigen Verschleiß zu vermeiden und die Lebensdauer des Geräts zu verlängern, trennen Sie während längerer Perioden des Nichtgebrauchs das Gerät vom Stromnetz – entweder per Trennschalter oder durch Herausziehen des Steckers aus der Steckdose.
- NIEMALS in die Lichtquelle schauen, während das Gerät eingeschaltet ist.
- VORSICHT: Das Gehäuse dieses Produkts kann während des Betriebs heiß werden. Installieren Sie das Gerät an einem Ort mit ausreichender Belüftung und mit einem Abstand von mindestens 50 cm zu den angrenzenden Flächen.
- Belassen Sie KEINE entflammaren Materialien in einem Umkreis von 50 cm dieses Geräts, während es in Betrieb oder an der Stromversorgung angeschlossen ist.
- VORSICHT: Beim Transport des Geräts von einer Umgebung mit außergewöhnlichen Temperaturen in eine andere solche Umgebung (z. B. aus einem kalten Transporter in einen warm-feuchten Ballsaal) kann an der im Gerät enthaltenen Elektronik Wasser kondensieren. Um einen Defekt zu vermeiden, muss sich das Gerät erst in der neuen Umgebung akklimatisiert haben, bevor es an die Stromversorgung angeschlossen werden kann.
- Dieses Geräts eignet sich nicht für eine permanente Installation im Außenbereich an Orten mit extremen Umweltbedingungen. Dies beinhaltet insbesondere:
 - Exposition gegenüber Meeres-/salzhaltigen Umgebungen (innerhalb von 5 km eines salzhaltigen Gewässers).
 - Orte, an denen die normalen Niedrigst- oder Höchsttemperaturen außerhalb des im Handbuch angegebenen Temperaturbereichs liegen.
 - Orte, die überflutet oder zugeschneit werden können.
 - Sonstige Bereiche, in denen das Produkt einer großen Strahlung oder ätzenden Substanzen ausgesetzt ist.
- VERWENDEN Sie bei Montage über Kopf immer ein Sicherheitsseil.
- Dieses Gerät darf NICHT in Wasser eingetaucht werden (IP65). Eine regelmäßige Verwendung dieses Geräts im Freien ist möglich.
- NIEMALS das Gerät in Betrieb nehmen, wenn Ihnen das Gehäuse, die Linsen oder das Kabel beschädigt erscheinen.
- Schließen Sie dieses Gerät NICHT an einen Dimmer oder Regelwiderstand an.
- Schließen Sie dieses Produkt NUR an einen mit der Erde verbundenen und geschützten Stromkreis an.
- Das Gerät NUR an den Hänge-/Befestigungsbügeln oder Griffen tragen.
- Bei ernsthaften Betriebsproblemen stoppen Sie umgehend die Verwendung des Geräts.
- Die maximal zulässige Umgebungstemperatur beträgt 45 °C. Nehmen Sie das Gerät nicht bei höheren Temperaturen in Betrieb.

Kontakt

Kunden außerhalb der USA, GB, Irland, Benelux, Frankreich, Deutschland oder Mexiko wenden sich an ihren Lieferanten, um den Kundensupport in Anspruch zu nehmen oder ein Produkt zurückzuschicken. Kontaktinformationen finden Sie im [Contact Us](#) am Ende dieses QRG.

Packungsinhalt

- Colorado 1 Quad
- Netz Kabel Seetronic Powerkon IP65
- Gel-Rahmen (Zubehör für 7,5"/191 mm)
- Schnellanleitung

Wechselstrom

Dieses Gerät verfügt über ein Vorschaltgerät, das automatisch die anliegende Spannung erkennt, sobald der Netzstecker in die Schukosteckdose gesteckt wird, und kann mit einer Eingangsspannung von 100~240 V AC, 50/60 Hz arbeiten.

Serienschaltung der Geräte

Sie können bis zu 15 Colorado 1 Quad Geräte bei 120 V AC, 25 Geräte bei 208 V und 27 Geräte bei 230 V AC in Serie schalten. Diese Anzahl niemals überschreiten! Stromkabel für die Serienschaltung können separat erworben werden.

Wechselstromstecker

Anschluss	Draht (USA)	Draht (Europa)	Schraubenfarbe
Stromführender AC-Leiter	Schwarz	Braun	Gelb/Messingfarben
AC-Neutralleiter	Weiß	Blau	Silber
AC-Erdungsleiter	Grün/Gelb	Grün/Gelb	Grün



- **Um Verschleiß zu vermeiden und die Lebensdauer des Geräts zu verlängern, trennen Sie während längerer Perioden des Nichtgebrauchs das Gerät vom Stromnetz – entweder per Trennschalter oder durch Herausziehen des Steckers aus der Steckdose.**
- **Vergewissern Sie sich bei einer Verwendung dieses Geräts im Außenbereich, in der die Schutzart IP65 erforderlich ist, dass Stromkabel der Schutzart IP65 (oder höher) verwendet werden und nicht genutzte Anschlüsse mit den angebrachten Abdeckungen der Schutzart IP65 gesichert werden**

DMX-Verbindung

Der Colorado 1 Quad kann mit einem DMX-Controller betrieben werden, wenn eine 5-polige DMX-Serienschaltung zum Einsatz kommt. Sie können sich eine Einführung in DMX unter www.chauvetprofessional.com herunterladen.

DMX-Anschluss

Der Colorado 1 Quad nutzt zur Steuerung seiner 2 DMX-Eigenschaften eine 5-polige DMX-Datenverbindung. Informationen zum Anschließen und Konfigurieren des Geräts für einen DMX-Betrieb finden Sie in der Bedienungsanleitung.



- **Vergewissern Sie sich bei einer Verwendung dieses Geräts im Außenbereich, in der die Schutzart IP65 erforderlich ist, dass Datenkabel der Schutzart IP65 (oder höher) verwendet werden und nicht genutzte Anschlüsse mit den angebrachten Abdeckungen der Schutzart IP65 gesichert werden.**

Master/Slave-Schaltung

Der Colorado 1 Quad verwendet für seinen Master/Slave-Modus eine DMX-Datenverbindung. Informationen zum Anschließen und Konfigurieren des Geräts für einen Master/Slave-Betrieb finden Sie in der Bedienungsanleitung.

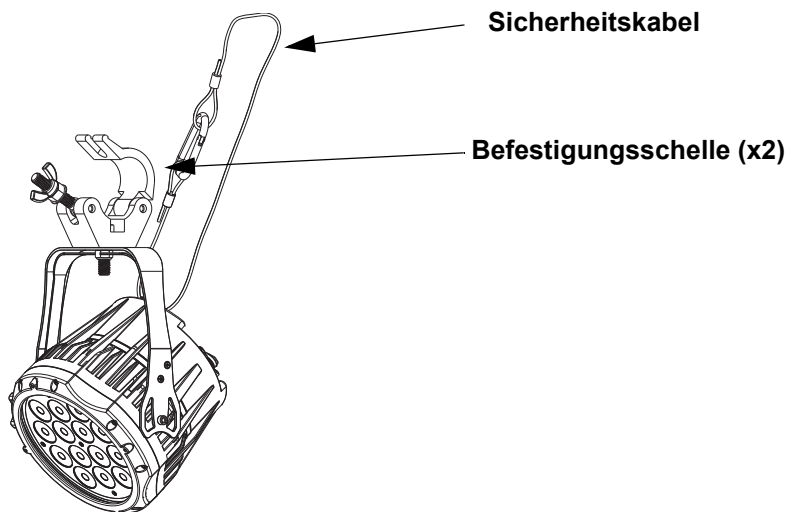
RDM (Remote Device Management)

Remote Device Management bzw. RDM ist ein Standard, mit dem DMX-aktivierte Geräte bidirektional entlang bestehender DMX-Kabel kommunizieren können. Lesen Sie die Bedienungsanleitung des DMX-Controllers oder wenden Sie sich an den Hersteller, da nicht alle DMX-Controller über diese Funktion verfügt. Der Colorado 1 Quad unterstützt das RDM-Protokoll, das ein Feedback zur Vornahme von Änderungen der der Menüoptionen erlaubt. Laden Sie für weiterführende Informationen unter www.chauvetprofessional.com das Benutzerhandbuch herunter.

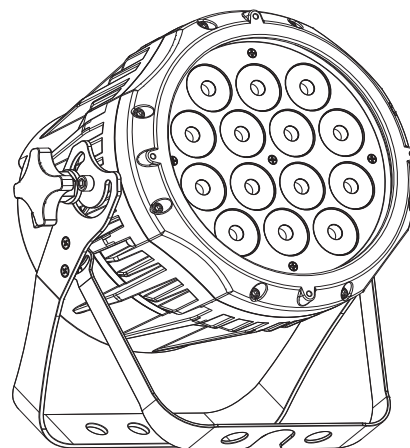
Montage

Lesen Sie vor der Montage dieses Geräts die [Sicherheitshinweise](#) durch. Mindestens zwei Befestigungspunkt pro Gerät verwenden. Stellen Sie sicher, dass die Befestigungsklemmen dafür ausgelegt sind, das Produktgewicht tragen zu können. Informationen zu unserer CHAUVET-Produktlinie für Befestigungsklemmen finden Sie unter <http://trusst.com/productcategory/truss-clamps/>.

Montageansicht



Über-Kopf-Montage



Aufstellung des Geräts auf dem Boden

Beschreibung des Bedienfeldes

Taste	Funktion
<MENU>	Damit verlassen Sie das aktuelle Menü oder die Funktion.
<ENTER>	Damit wird das aktuell angezeigte Menü aktiviert oder der aktuell ausgewählte Wert einer Funktion eingestellt.
<UP>	Damit navigieren Sie sich durch die Menüpunkte nach oben oder erhöhen den numerischen Wert der entsprechenden Funktion.
<DOWN>	Damit navigieren Sie sich durch die Menüpunkte nach unten oder verringern den numerischen Wert der entsprechenden Funktion.

Sicherheitscode

Geben Sie nach der entsprechenden Aufforderung den folgenden Sicherheitscode ein, indem Sie diese Tasten betätigen <UP>, <DOWN>, <UP>, <DOWN>, <ENTER>

Dieser Sicherheitscode kann nicht geändert werden und ist nach entsprechender Aufforderung immer zu verwenden.

Menüstruktur

Hauptebene	Programmirebenen		Beschreibung
STAT	R.	000-255	Combineert rood, groen, blauw en wit om een aangepaste kleur te genereren
	G.		
	B.		
	W.		
	ST.	00-20	Blitzfrequenz (0–20 Hz)
AUTO	AT.01-10		Selecteert automatische programma's en automatische programmasnelheid
	PR.01-10		
RUN	DMX		DMX-Modus (Master)
	SLAV		Slave-Modus
DMX	D.001-512		Wählt die DMX-Adresse aus

Hauptebene	Programmirebenen			Beschreibung		
PERS	RGB	TOUR		9-Kanal: RGB, dimmer, Stroboskop, Farbmakros, automatische programmasnelheid, Dimmungs-Geschwindigkeits-Modus, Geschwindigkeit des Auto-Programms		
		TR16		13-Kanal: 16-bit RGB, 16-bit dimmer, Stroboskop, Farbmakros, automatische programmasnelheid, Dimmungs-Geschwindigkeits-Modus, Geschwindigkeit des Auto-Programms		
		AR1.D		4-Kanal: RGB, dimmer		
	RGBW	8BIT		10-Kanal: RGBW, dimmer, Stroboskop, Farbmakros, automatische programmasnelheid, Dimmungs-Geschwindigkeits-Modus, Geschwindigkeit des Auto-Programms		
		16BI		15-Kanal: 16-bit RGBW 16-bit dimmer, Stroboskop, Farbmakros, automatische programmasnelheid, Dimmungs-Geschwindigkeits-Modus, Geschwindigkeit des Auto-Programms		
		SSP		7-Kanal: RGBW, dimmer, Stroboskop, Dimmungs-Geschwindigkeits-Modus		
		ARC.2		4-Kanal: RGBW control		
		AR2.D		5-Kanal: RGBW, dimmer		
		AR2.S		6-Kanal: RGBW, dimmer, Stroboskop		
		EDIT	PR.01-10	SC.01-30	R.	000-255
G.						
B.						
W.						
SB.	00-20				Wählt die Strobefrequenz (0-14 Hz)	
T.	000-255				Definiert die Schrittdauer (langsam bis schnell)	
F.					Definiert die Fade-Dauer (langsam bis schnell)	
SET	UPLD	**** (Passwort eingeben)	OK		Lädt benutzerdefinierte Programme auf andere Colorado 1 Quad-Produkte hoch	
	REST		WAIT	OK	Standardisiert das Produkt auf die Werkseinstellungen	
	COLO	OFF		RGB auf 255 gesetzt = max. Ausgabe		
		RGBW		RGB auf 255 eingestellt = ausgewogenes Weiß		
		UC		Universelle Farbbalance		
	DIM	OFF		Linearer Dimmer		
		DIM1		Dimmungskurven Dim 1 (schnell) nach Dim 4 (langsam)		
		DIM2				
		DIM3				
		DIM4				
	CURV	OFF		Linearer Dimmer		
		CV1		Dimmungskurven CV 1 (schnell) nach CV 3 (langsam)		
		CV2				
CV3						

Hauptebene	Programmirebenen				Beschreibung	
SET	DERR	SAVE		Geht bei Verlust der DMX-Steuerung mit dem letzten Befehl weiter		
		BLAK		Schaltet die Kamera bei Verlust von DMX aus		
	SLCK	OFF		Zugangssperre auf der Hauptstufe SET		
		ON				
	STRB	CLAS		Wählt die Strobe-Persönlichkeit aus		
		SPRC				
	PWM	600		Stellt die PWM-Frequenz ein		
		1200				
		2000				
		2400				
4000						
6000						
25K						
CAL	**** (Passwort eingeben)	CAL1	WH.01-11	R.	000-255	Ändert die Farbmakros in den Persönlichkeiten TOUR, 8BIT, 16BI und TR16
				G.		
				B.		
				W.		
	CAL2	RGBW	R.	Definiert die Farbtemperatur, die verwendet wird, wenn COLO auf RGBW eingestellt ist		
			G.			
			B.			
	CALR	**** (Passwort eingeben)	CALR	OK	Standardisiert CAL auf Werkseinstellungen	
	KEY	ON				Damit wird die Anzeige gesperrt
OFF						
INFO	VERS		V_		Damit stellen Sie das Gerät auf die Werkseinstellungen zurück	

**DMX-Werte RGBW Modus
16BI**

Kanal	Funktion	Wert	Prozent/Einstellung
1	Dimmer	000 ⇔ 255	0–100%
2	Dimmer fein	000 ⇔ 255	0–100%
3	Rot	000 ⇔ 255	0–100% (Step Time, wenn Brauch 1-10 aktiv ist)
4	Rot fein	000 ⇔ 255	0–100% (Fade Time, wenn Brauch 1-10 aktiv ist)
5	Grün	000 ⇔ 255	0–100%
6	Grün, fein	000 ⇔ 255	0–100%
7	Blau	000 ⇔ 255	0–100%
8	Blau fein	000 ⇔ 255	0–100%
9	Weiß	000 ⇔ 255	0–100%
10	Weiß fein	000 ⇔ 255	0–100%
11	Farbe Makro	000 ⇔ 010	Keine Funktion
		011 ⇔ 030	R: 100% G: 0–100% B: 0%
		031 ⇔ 050	R: 100–0% G: 100% B: 0%
		051 ⇔ 070	R: 0% G: 100% B: 0–100%
		071 ⇔ 090	R: 0% G: 100–0% B: 100%
091 ⇔ 110	R: 0–100% G: 0% B: 100%		

Kanal	Funktion	Wert	Prozent/Einstellung
11	Farbe Makro	111 ⇔ 130	R: 100% G: 0% B: 100-0%
		131 ⇔ 150	R: 100% G: 0-100% B: 0-100%
		151 ⇔ 170	R: 100-0% G: 100-0% B: 100%
		171 ⇔ 200	RGBW: 100%
		201 ⇔ 205	Weiß 1
		206 ⇔ 210	Weiß 2
		211 ⇔ 215	Weiß 3
		216 ⇔ 220	Weiß 4
		221 ⇔ 225	Weiß 5
		226 ⇔ 230	Weiß 6
		231 ⇔ 235	Weiß 7
		236 ⇔ 240	Weiß 8
		241 ⇔ 245	Weiß 9
		246 ⇔ 250	Weiß 10
251 ⇔ 255	Weiß 11		
12	Stroboskop speziell	000 ⇔ 009	Keine Funktion
		010 ⇔ 099	Stroboskop, von schnell nach langsam
		100 ⇔ 109	Keine Funktion
		110 ⇔ 179	Beleuchtung Stroboskop, schnell nach langsam
		180 ⇔ 189	Keine Funktion
		190 ⇔ 255	Zufällig Stroboskop, schnell nach langsam
	Stroboskop Klassiker	000 ⇔ 009	Keine Funktion
		010 ⇔ 019	1 Hz
		020 ⇔ 029	2 Hz
		030 ⇔ 039	3 Hz
		040 ⇔ 049	4 Hz
		050 ⇔ 059	5 Hz
		060 ⇔ 069	6 Hz
		070 ⇔ 079	7 Hz
		080 ⇔ 089	8 Hz
		090 ⇔ 099	9 Hz
		100 ⇔ 109	10 Hz
		110 ⇔ 119	11 Hz
		120 ⇔ 129	12 Hz
		130 ⇔ 139	13 Hz
140 ⇔ 149	14 Hz		
150 ⇔ 159	15 Hz		
160 ⇔ 169	16 Hz		
170 ⇔ 179	17 Hz		
180 ⇔ 189	18 Hz		
190 ⇔ 199	19 Hz		
200 ⇔ 255	20 Hz		
13	Auto-Programme	000 ⇔ 020	Keine Funktion
		021 ⇔ 030	Auto 1
		031 ⇔ 040	Auto 2
		041 ⇔ 050	Auto 3

* Wählen Sie die Strobefunktion im Hauptmenü unter **SET> STRB> CLAS** oder **SPRC**

Kanal	Funktion	Wert	Prozent/Einstellung
13	Auto-Programme	051 ⇔ 060	Auto 4
		061 ⇔ 070	Auto 5
		071 ⇔ 080	Auto 6
		081 ⇔ 090	Auto 7
		091 ⇔ 100	Auto 8
		101 ⇔ 110	Auto 9
		111 ⇔ 120	Auto 10
		121 ⇔ 130	Brauch 1
		131 ⇔ 140	Brauch 2
		141 ⇔ 150	Brauch 3
		151 ⇔ 160	Brauch 4
		161 ⇔ 170	Brauch 5
		171 ⇔ 180	Brauch 6
		181 ⇔ 190	Brauch 7
		191 ⇔ 200	Brauch 8
		201 ⇔ 210	Brauch 9
211 ⇔ 220	Brauch 10		
221 ⇔ 255	Keine Funktion		
14	Programmgeschwindigkeit	000 ⇔ 255	Auto-Geschwindigkeit (von langsam nach schnell)
15	Dimmergeschwindigkeit	000 ⇔ 009	Dimmergeschwindigkeit von Anzeige eingestellt
		010 ⇔ 029	Dimmer-Geschwindigkeits-Modus aus (Linearer Dimmer)
		030 ⇔ 069	Dimmer-Geschwindigkeits-Modus 1 (schnellsten)
		070 ⇔ 129	Dimmer-Geschwindigkeits-Modus 2
		130 ⇔ 189	Dimmer-Geschwindigkeits-Modus 3
		190 ⇔ 255	Dimmer-Geschwindigkeits-Modus 4 (langsamsten)

8BIT

Kanal	Funktion	Wert	Prozent/Einstellung
1	Dimmer	000 ⇔ 255	0–100%
2	Rot	000 ⇔ 255	0–100% (Step Time, wenn Brauch 1-10 aktiv ist)
3	Grün	000 ⇔ 255	0–100% (Fade Time, wenn Brauch 1-10 aktiv ist)
4	Blau	000 ⇔ 255	0–100%
5	Weiß	000 ⇔ 255	0–100%
6	Farbe Makro	000 ⇔ 010	Keine Funktion
		011 ⇔ 030	R: 100% G: 0–100% B: 0%
		031 ⇔ 050	R: 100–0% G: 100% B: 0%
		051 ⇔ 070	R: 0% G: 100% B: 0–100%
		071 ⇔ 090	R: 0% G: 100–0% B: 100%
		091 ⇔ 110	R: 0–100% G: 0% B: 100%
		111 ⇔ 130	R: 100% G: 0% B: 100–0%
		131 ⇔ 150	R: 100% G: 0–100% B: 0–100%
		151 ⇔ 170	R: 100–0% G: 100–0% B: 100%
		171 ⇔ 200	RGBW: 100%
		201 ⇔ 205	Weiß 1
		206 ⇔ 210	Weiß 2
211 ⇔ 215	Weiß 3		

Kanal	Funktion	Wert	Prozent/Einstellung
6	Farbe Makro	216 ⇄ 220	Weiß 4
		221 ⇄ 225	Weiß 5
		226 ⇄ 230	Weiß 6
		231 ⇄ 235	Weiß 7
		236 ⇄ 240	Weiß 8
		241 ⇄ 245	Weiß 9
		246 ⇄ 250	Weiß 10
		251 ⇄ 255	Weiß 11
7	Stroboskop speziell	000 ⇄ 009	Keine Funktion
		010 ⇄ 099	Stroboskop, von schnell nach langsam
		100 ⇄ 109	Keine Funktion
		110 ⇄ 179	Beleuchtung Stroboskop, schnell nach langsam
		180 ⇄ 189	Keine Funktion
		190 ⇄ 255	Zufällig Stroboskop, schnell nach langsam
	Stroboskop Klassiker	000 ⇄ 009	Keine Funktion
		010 ⇄ 019	1 Hz
		020 ⇄ 029	2 Hz
		030 ⇄ 039	3 Hz
		040 ⇄ 049	4 Hz
		050 ⇄ 059	5 Hz
		060 ⇄ 069	6 Hz
		070 ⇄ 079	7 Hz
		080 ⇄ 089	8 Hz
		090 ⇄ 099	9 Hz
		100 ⇄ 109	10 Hz
		110 ⇄ 119	11 Hz
		120 ⇄ 129	12 Hz
		130 ⇄ 139	13 Hz
140 ⇄ 149	14 Hz		
150 ⇄ 159	15 Hz		
160 ⇄ 169	16 Hz		
170 ⇄ 179	17 Hz		
180 ⇄ 189	18 Hz		
190 ⇄ 199	19 Hz		
200 ⇄ 255	20 Hz		
8	Auto-Programme	000 ⇄ 020	Keine Funktion
		021 ⇄ 030	Auto 1
		031 ⇄ 040	Auto 2
		041 ⇄ 050	Auto 3
		051 ⇄ 060	Auto 4
		061 ⇄ 070	Auto 5
		071 ⇄ 080	Auto 6
		081 ⇄ 090	Auto 7
		091 ⇄ 100	Auto 8
		101 ⇄ 110	Auto 9

* Wählen Sie die Strobefunktion im Hauptmenü unter **SET> STRB> CLAS** oder **SPRC**

Kanal	Funktion	Wert	Prozent/Einstellung
8	Auto-Programme	111 ⇔ 120	Auto 10
		121 ⇔ 130	Brauch 1
		131 ⇔ 140	Brauch 2
		141 ⇔ 150	Brauch 3
		151 ⇔ 160	Brauch 4
		161 ⇔ 170	Brauch 5
		171 ⇔ 180	Brauch 6
		181 ⇔ 190	Brauch 7
		191 ⇔ 200	Brauch 8
		201 ⇔ 210	Brauch 9
		211 ⇔ 220	Brauch 10
221 ⇔ 255	Keine Funktion		
9	Programmgeschwindigkeit	000 ⇔ 255	Auto-Geschwindigkeit (von langsam nach schnell)
10	Dimmergeschwindigkeit	000 ⇔ 009	Dimmergeschwindigkeit von Anzeige eingestellt
		010 ⇔ 029	Dimmer-Geschwindigkeits-Modus aus (Linearer Dimmer)
		030 ⇔ 069	Dimmer-Geschwindigkeits-Modus 1 (schnellsten)
		070 ⇔ 129	Dimmer-Geschwindigkeits-Modus 2
		130 ⇔ 189	Dimmer-Geschwindigkeits-Modus 3
		190 ⇔ 255	Dimmer-Geschwindigkeits-Modus 4 (langsamsten)

SSP

Kanal	Funktion	Wert	Prozent/Einstellung
1	Dimmer	000 ⇔ 255	0–100%
2	Rot	000 ⇔ 255	0–100%
3	Grün	000 ⇔ 255	0–100%
4	Blau	000 ⇔ 255	0–100%
5	Weiß	000 ⇔ 255	0–100%
6	Stroboskop speziell	000 ⇔ 009	Keine Funktion
		010 ⇔ 099	Stroboskop, von schnell nach langsam
		100 ⇔ 109	Keine Funktion
		110 ⇔ 179	Beleuchtung Stroboskop, schnell nach langsam
		180 ⇔ 189	Keine Funktion
		190 ⇔ 255	Zufällig Stroboskop, schnell nach langsam
	Stroboskop Klassiker	000 ⇔ 009	Keine Funktion
		010 ⇔ 019	1 Hz
		020 ⇔ 029	2 Hz
		030 ⇔ 039	3 Hz
		040 ⇔ 049	4 Hz
050 ⇔ 059		5 Hz	
060 ⇔ 069	6 Hz		
070 ⇔ 079	7 Hz		
080 ⇔ 089	8 Hz		
090 ⇔ 099	9 Hz		
100 ⇔ 109	10 Hz		
110 ⇔ 119	11 Hz		

* Wählen Sie die Strobefunktion im Hauptmenü unter **SET> STRB> CLAS** oder **SPRC**

Kanal	Funktion	Wert	Prozent/Einstellung
6	Stroboskop Klassiker	120 ⇔ 129	12 Hz
		130 ⇔ 139	13 Hz
		140 ⇔ 149	14 Hz
		150 ⇔ 159	15 Hz
		160 ⇔ 169	16 Hz
		170 ⇔ 179	17 Hz
		180 ⇔ 189	18 Hz
		190 ⇔ 199	19 Hz
		200 ⇔ 255	20 Hz
7	Dimmergeschwindigkeit	000 ⇔ 009	Dimmergeschwindigkeit von Anzeige eingestellt
		010 ⇔ 029	Dimmer-Geschwindigkeits-Modus aus (Linearer Dimmer)
		030 ⇔ 069	Dimmer-Geschwindigkeits-Modus 1 (schnellsten)
		070 ⇔ 129	Dimmer-Geschwindigkeits-Modus 2
		130 ⇔ 189	Dimmer-Geschwindigkeits-Modus 3
		190 ⇔ 255	Dimmer-Geschwindigkeits-Modus 4 (langsamsten)

AR2.S

Kanal	Funktion	Wert	Prozent/Einstellung
1	Dimmer	000 ⇔ 255	0–100%
2	Rot	000 ⇔ 255	0–100%
3	Grün	000 ⇔ 255	0–100%
4	Blau	000 ⇔ 255	0–100%
5	Weiß	000 ⇔ 255	0–100%
6	Stroboskop	000 ⇔ 255	0–20 Hz

AR2.D

Kanal	Funktion	Wert	Prozent/Einstellung
1	Dimmer	000 ⇔ 255	0–100%
2	Rot	000 ⇔ 255	0–100%
3	Grün	000 ⇔ 255	0–100%
4	Blau	000 ⇔ 255	0–100%
5	Weiß	000 ⇔ 255	0–100%

ARC.2

Kanal	Funktion	Wert	Prozent/Einstellung
1	Rot	000 ⇔ 255	0–100%
2	Grün	000 ⇔ 255	0–100%
3	Blau	000 ⇔ 255	0–100%
4	Weiß	000 ⇔ 255	0–100%

DMX-Werte RGB Modus

TR16

Kanal	Funktion	Wert	Prozent/Einstellung
1	Dimmer	000 ⇔ 255	0–100%
2	Dimmer fein	000 ⇔ 255	0–100%
3	Rot	000 ⇔ 255	0–100% (Step Time, wenn Brauch 1-10 aktiv ist)
4	Rot fein	000 ⇔ 255	0–100% (Fade Time, wenn Brauch 1-10 aktiv ist)
5	Grün	000 ⇔ 255	0–100%
6	Grün, fein	000 ⇔ 255	0–100%

Kanal	Funktion	Wert	Prozent/Einstellung
7	Blau	000 ⇔ 255	0–100%
8	Blau fein	000 ⇔ 255	0–100%
9	Farbe Makro	000 ⇔ 010	Keine Funktion
		011 ⇔ 030	R: 100% G: 0–100% B: 0%
		031 ⇔ 050	R: 100–0% G: 100% B: 0%
		051 ⇔ 070	R: 0% G: 100% B: 0–100%
		071 ⇔ 090	R: 0% G: 100–0% B: 100%
		091 ⇔ 110	R: 0–100% G: 0% B: 100%
		111 ⇔ 130	R: 100% G: 0% B: 100–0%
		131 ⇔ 150	R: 100% G: 0–100% B: 0–100%
		151 ⇔ 170	R: 100–0% G: 100–0% B: 100%
		171 ⇔ 200	RGBW: 100%
		201 ⇔ 205	Weiß 1
		206 ⇔ 210	Weiß 2
		211 ⇔ 215	Weiß 3
		216 ⇔ 220	Weiß 4
		221 ⇔ 225	Weiß 5
		226 ⇔ 230	Weiß 6
		231 ⇔ 235	Weiß 7
		236 ⇔ 240	Weiß 8
		241 ⇔ 245	Weiß 9
246 ⇔ 250	Weiß 10		
251 ⇔ 255	Weiß 11		
10	Stroboskop speziell	000 ⇔ 009	Keine Funktion
		010 ⇔ 099	Stroboskop, von schnell nach langsam
		100 ⇔ 109	Keine Funktion
		110 ⇔ 179	Beleuchtung Stroboskop, schnell nach langsam
		180 ⇔ 189	Keine Funktion
		190 ⇔ 255	Zufällig Stroboskop, schnell nach langsam
	Stroboskop Klassiker	000 ⇔ 009	Keine Funktion
		010 ⇔ 019	1 Hz
		020 ⇔ 029	2 Hz
		030 ⇔ 039	3 Hz
		040 ⇔ 049	4 Hz
		050 ⇔ 059	5 Hz
		060 ⇔ 069	6 Hz
		070 ⇔ 079	7 Hz
		080 ⇔ 089	8 Hz
		090 ⇔ 099	9 Hz
		100 ⇔ 109	10 Hz
		110 ⇔ 119	11 Hz
		120 ⇔ 129	12 Hz
		130 ⇔ 139	13 Hz
140 ⇔ 149	14 Hz		
150 ⇔ 159	15 Hz		
160 ⇔ 169	16 Hz		
170 ⇔ 179	17 Hz		

* Wählen Sie die Strobefunktion im Hauptmenü unter **SET> STRB> CLAS** oder **SPRC**

Kanal	Funktion	Wert	Prozent/Einstellung
10	Stroboskop Klassiker	180 ⇔ 189	18 Hz
		190 ⇔ 199	19 Hz
		200 ⇔ 255	20 Hz
11	Auto-Programme	000 ⇔ 020	Keine Funktion
		021 ⇔ 030	Auto 1
		031 ⇔ 040	Auto 2
		041 ⇔ 050	Auto 3
		051 ⇔ 060	Auto 4
		061 ⇔ 070	Auto 5
		071 ⇔ 080	Auto 6
		081 ⇔ 090	Auto 7
		091 ⇔ 100	Auto 8
		101 ⇔ 110	Auto 9
		111 ⇔ 120	Auto 10
		121 ⇔ 130	Brauch 1
		131 ⇔ 140	Brauch 2
		141 ⇔ 150	Brauch 3
		151 ⇔ 160	Brauch 4
		161 ⇔ 170	Brauch 5
171 ⇔ 180	Brauch 6		
181 ⇔ 190	Brauch 7		
191 ⇔ 200	Brauch 8		
201 ⇔ 210	Brauch 9		
211 ⇔ 220	Brauch 10		
221 ⇔ 255	Keine Funktion		
12	Programmgeschwindigkeit	000 ⇔ 255	Auto-Geschwindigkeit (von langsam nach schnell)
13	Dimmergeschwindigkeit	000 ⇔ 009	Dimmergeschwindigkeit von Anzeige eingestellt
		010 ⇔ 029	Dimmer-Geschwindigkeits-Modus aus (Linearer Dimmer)
		030 ⇔ 069	Dimmer-Geschwindigkeits-Modus 1 (schnellsten)
		070 ⇔ 129	Dimmer-Geschwindigkeits-Modus 2
		130 ⇔ 189	Dimmer-Geschwindigkeits-Modus 3
		190 ⇔ 255	Dimmer-Geschwindigkeits-Modus 4 (langsamsten)

TOUR

Kanal	Funktion	Wert	Prozent/Einstellung
1	Dimmer	000 ⇔ 255	0–100%
2	Rot	000 ⇔ 255	0–100% (Step Time, wenn Brauch 1-10 aktiv ist)
3	Grün	000 ⇔ 255	0–100% (Fade Time, wenn Brauch 1-10 aktiv ist)
4	Blau	000 ⇔ 255	0–100%
5	Farbe Makro	000 ⇔ 010	Keine Funktion
		011 ⇔ 030	R: 100% G: 0–100% B: 0%
		031 ⇔ 050	R: 100–0% G: 100% B: 0%
		051 ⇔ 070	R: 0% G: 100% B: 0–100%
		071 ⇔ 090	R: 0% G: 100–0% B: 100%
		091 ⇔ 110	R: 0–100% G: 0% B: 100%
		111 ⇔ 130	R: 100% G: 0% B: 100–0%
		131 ⇔ 150	R: 100% G: 0–100% B: 0–100%
		151 ⇔ 170	R: 100–0% G: 100–0% B: 100%
		171 ⇔ 200	RGBW: 100%
		201 ⇔ 205	Weiß 1
		206 ⇔ 210	Weiß 2
		211 ⇔ 215	Weiß 3
		216 ⇔ 220	Weiß 4
		221 ⇔ 225	Weiß 5
		226 ⇔ 230	Weiß 6
		231 ⇔ 235	Weiß 7
		236 ⇔ 240	Weiß 8
241 ⇔ 245	Weiß 9		
246 ⇔ 250	Weiß 10		
251 ⇔ 255	Weiß 11		
6	Stroboskop speziell	000 ⇔ 009	Keine Funktion
		010 ⇔ 099	Stroboskop, von schnell nach langsam
		100 ⇔ 109	Keine Funktion
		110 ⇔ 179	Beleuchtung Stroboskop, schnell nach langsam
		180 ⇔ 189	Keine Funktion
		190 ⇔ 255	Zufällig Stroboskop, schnell nach langsam
	Stroboskop Klassiker	000 ⇔ 009	Keine Funktion
		010 ⇔ 019	1 Hz
		020 ⇔ 029	2 Hz
		030 ⇔ 039	3 Hz
		040 ⇔ 049	4 Hz
		050 ⇔ 059	5 Hz
		060 ⇔ 069	6 Hz
		070 ⇔ 079	7 Hz
		080 ⇔ 089	8 Hz
		090 ⇔ 099	9 Hz
		100 ⇔ 109	10 Hz
		110 ⇔ 119	11 Hz
		120 ⇔ 129	12 Hz
		130 ⇔ 139	13 Hz
		140 ⇔ 149	14 Hz

* Wählen Sie die Strobefunktion im Hauptmenü unter **SET> STRB> CLAS** oder **SPRC**

Kanal	Funktion	Wert	Prozent/Einstellung
6	Stroboskop Klassiker	150 ⇔ 159	15 Hz
		160 ⇔ 169	16 Hz
		170 ⇔ 179	17 Hz
		180 ⇔ 189	18 Hz
		190 ⇔ 199	19 Hz
		200 ⇔ 255	20 Hz
7	Auto-Programme	000 ⇔ 020	Keine Funktion
		021 ⇔ 030	Auto 1
		031 ⇔ 040	Auto 2
		041 ⇔ 050	Auto 3
		051 ⇔ 060	Auto 4
		061 ⇔ 070	Auto 5
		071 ⇔ 080	Auto 6
		081 ⇔ 090	Auto 7
		091 ⇔ 100	Auto 8
		101 ⇔ 110	Auto 9
		111 ⇔ 120	Auto 10
		121 ⇔ 130	Brauch 1
		131 ⇔ 140	Brauch 2
		141 ⇔ 150	Brauch 3
		151 ⇔ 160	Brauch 4
		161 ⇔ 170	Brauch 5
171 ⇔ 180	Brauch 6		
181 ⇔ 190	Brauch 7		
191 ⇔ 200	Brauch 8		
201 ⇔ 210	Brauch 9		
211 ⇔ 220	Brauch 10		
221 ⇔ 255	Keine Funktion		
8	Programmgeschwindigkeit	000 ⇔ 255	Auto-Geschwindigkeit (von langsam nach schnell)
9	Dimmergeschwindigkeit	000 ⇔ 009	Dimmergeschwindigkeit von Anzeige eingestellt
		010 ⇔ 029	Dimmer-Geschwindigkeits-Modus aus (Linearer Dimmer)
		030 ⇔ 069	Dimmer-Geschwindigkeits-Modus 1 (schnellsten)
		070 ⇔ 129	Dimmer-Geschwindigkeits-Modus 2
		130 ⇔ 189	Dimmer-Geschwindigkeits-Modus 3
		190 ⇔ 255	Dimmer-Geschwindigkeits-Modus 4 (langsamsten)

AR1.D

Kanal	Funktion	Wert	Prozent/Einstellung
1	Dimmer	000 ⇔ 255	0–100%
2	Rot	000 ⇔ 255	0–100% (Step Time, wenn Brauch 1-10 aktiv ist)
3	Grün	000 ⇔ 255	0–100% (Fade Time, wenn Brauch 1-10 aktiv ist)
4	Blau	000 ⇔ 255	0–100%

Over deze handleiding

De Colorado 1 Quad Beknopte Handleiding (BH) bevat basisinformatie over het product, zoals aansluiting, montage, menu-opties en DMX-waarden. Download de gebruikershandleiding op www.chauvetprofessional.com voor meer informatie.

Disclaimer

De informatie en specificaties in deze BH kunnen zonder voorafgaande kennisgeving worden gewijzigd.

BEPERKTE GARANTIE

GA NAAR ONZE WEBSITE VOOR REGISTRATIE VAN DE GARANTIE EN DE VOLLEDIGE ALGEMENE VOORWAARDEN.

Voor klanten in de Verenigde Staten en Mexico: www.chauvetlighting.com/warranty-registration.

Voor klanten in het Verenigd Koninkrijk, Ierland, België, Nederland, Luxemburg, Frankrijk en Duitsland: www.chauvetlighting.eu/warranty-registration.

Chauvet garandeert dat dit product bij normaal gebruik vrij zal blijven van defecten in materiaal en vakmanschap, voor de opgegeven periode en onder voorbehoud van de uitzonderingen en beperkingen die zijn uiteengezet in de volledige beperkte garantie op onze website. Deze garantie geldt uitsluitend voor de oorspronkelijke koper van het product en is niet overdraagbaar. Om onder deze garantie rechten uit te oefenen, moet u een aankoopbewijs overleggen in de vorm van een origineel verkoopbewijs van een geautoriseerde dealer, waarop de naam van het product en de aankoopdatum zichtbaar zijn. ER ZIJN GEEN ANDERE EXPLICIETE OF IMPLICIETE GARANTIES. Deze garantie geeft u specifieke wettelijke rechten. Mogelijk heeft u ook andere rechten die van staat tot staat en van land tot land verschillen. Deze garantie is uitsluitend geldig in de Verenigde Staten, het Verenigd Koninkrijk, Ierland, België, Nederland, Luxemburg, Frankrijk, Duitsland en Mexico. Neem contact op met uw lokale verkoper voor garantievoorwaarden in andere landen.

Veiligheidsinstructies

- Open het product NIET. Het bevat geen te onderhouden onderdelen.
- Om onnodige slijtage te elimineren en zijn levensduur te verlengen, gedurende perioden wanneer het product niet wordt gebruikt, moet u het product van de stroom afsluiten door een aardlekschakelaar om te zetten of door het te ontkoppelen.
- KIJK NIET in de lichtbron wanneer het apparaat is ingeschakeld.
- LET OP: De behuizing van dit product kan heet zijn wanneer het in bedrijf is.
- Monteer dit product op een plek met voldoende ventilatie, ten minste 50 cm van de aangrenzende oppervlakken.
- Plaats geen ontvlambaar materiaal binnen 50 cm van dit product als het in gebruik is of is aangesloten op het stopcontact.
- LET OP: Bij het verplaatsen van het product uit extreme omgevingen, (bijv. koude vrachtwagen naar warme, vochtige balzaal) kan er condensvorming optreden op de elektronica van het product. Om storingen te vermijden moet het product volledig kunnen acclimatiseren aan de omgeving voordat het op stroom wordt aangesloten.
- Niet voor permanente buiteninstallatie in locaties met extreme weersomstandigheden. Dit is met inbegrip van, maar niet beperkt tot:
 - Blootstelling aan een marien/zout milieu (binnen 5 km van zout water).
 - Waar de gebruikelijke hoge of lage temperaturen van de locatie de temperatuurbereiken in deze handleiding overschrijden.
 - Locaties die kunnen overstromen of onder sneeuw begraven kunnen worden.
 - Andere gebieden waar het product blootstaat aan extreme straling of bijtende substanties.
- GEBRUIK een veiligheidskabel bij het boven het hoofd plaatsen van dit product.
- Dit product NIET onderdompelen (IP65). Regelmatig gebruik buitenshuis is prima.
- Gebruik dit product NIET als de behuizing, lenzen of kabels beschadigd lijken.
- Sluit dit product NIET aan op een dimmer of een regelweerstand.
- Sluit dit product UITSLUITEND op een geaard en beveiligd stroomcircuit.
- Gebruik UITSLUITEND de ophang-/montagebeugel om dit product te dragen.
- Stop in het geval van ernstige operationele problemen onmiddellijk met het gebruik.
- De maximale omgevingstemperatuur bedraagt 45 °C. Gebruik dit product niet bij hogere temperaturen.

Contact

Van buiten de VS, Verenigd Koninkrijk, Ierland, Benelux, Frankrijk, Duitsland of Mexico kunt u contact opnemen met de distributeur of om ondersteuning vragen dan wel het product retourneren. Raadpleeg [Contact Us](#) aan het einde van deze BH voor contactinformatie.

Wat is inbegrepen

- Colorado 1 Quad
- Seetronic Powerkon IP65 stroomsnoer
- Gelframe (191 mm/7,5 in accessoires)
- Beknopte handleiding

AC-stroom

Dit product heeft een voeding met automatisch bereik die werkt met een ingangsspanning van 100–240 VAC, 50/60 Hz.

Power Linking

U kunt tot 15 Colorado 1 Quad-producten koppelen bij 120 V 25 producten bij 208 V of 27 producten bij 230 V. Dit aantal niet overschrijden. Power Linking-snoeren kunnen apart aangeschaft worden

AC-stekker

Aansluiting	Snoer (VS)	Snoer (Europa)	Schroefkleur
AC Live	Zwart	Bruin	Geel/messing
AC Neutraal	Wit	Blauw	Zilver
AC Aarde	Groen/geel	Groen/geel	Groen



- Om onnodige slijtage te elimineren en zijn levensduur te verlengen, gedurende perioden wanneer het product niet wordt gebruikt, moet u het product van de stroom afsluiten door een aardlekschakelaar om te zetten of door het te ontkoppelen.
- Wanneer dit product buiten wordt gebruikt moeten stroom- en gegevenskabels met een IP65-certificering (of hoger) worden gebruikt. Zorg ervoor dat ongebruikte stroom- en gegevenspoorten worden afgesloten met de aangehechte IP65-afdekkingen

DMX-koppeling

De Colorado 1 Quad kan met een DMX-controller werken met een normale DMX seriële verbinding. Op www.chauvetprofessional.com is een DMX basishandleiding verkrijgbaar.

DMX-aansluiting

De Colorado 1 Quad gebruikt een normale DMX-gegevensverbinding voor zijn DMX-persoonlijkheden. Zie de gebruikershandleiding om te verbinden en te configureren voor DMX-werking.



Wanneer dit product buiten wordt gebruikt in een omgeving die die een IP65-certificering vereist, moet er ook worden gezorgd dat er gegevenskabels met IP65-certificering of hoger worden gebruikt en moeten de ongebruikte poorten worden afgedekt met de vastgehechte IP65-afdekkingen

Master/slave-verbinding

De Colorado 2 Quad Zoom maakt gebruik van de DMX-dataverbinding voor haar Master-/Slave-modus. Zie de gebruikershandleiding om te verbinden en te configureren voor Master/Slave-werking

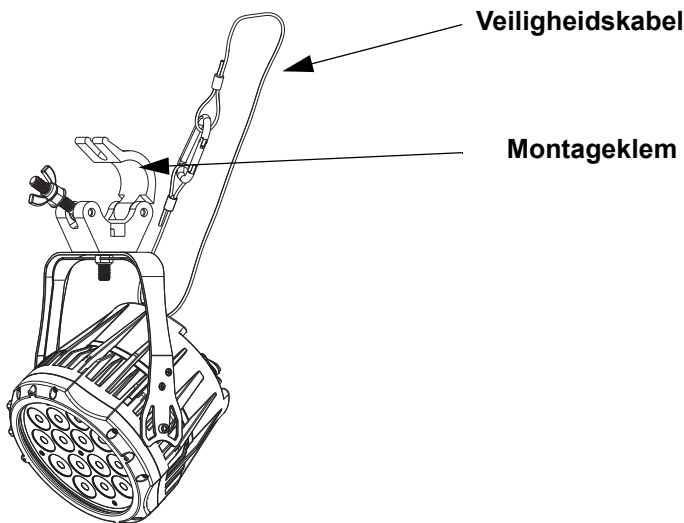
RDM (apparaatbeheer op afstand)

Remote Device Management of RDM (apparaatbeheer op afstand) is een standaard die het voor DMX-apparaten mogelijk maakt om in twee richtingen te communiceren over bestaande DMX-kabels. De Colorado 1 Quad ondersteunt het RDM-protocol dat zorgt feedback toelaat bij de bewaking van wijzigingen aan de menu map-opties van. Download de gebruikershandleiding op www.chauvetprofessional.com voor meer informatie.

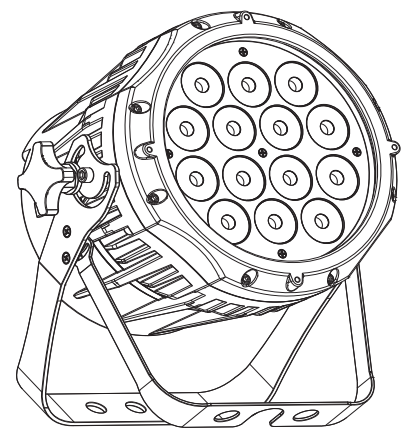
Montage

Lees alvorens dit product te monteren alle [Veiligheidsinstructies](#). Gebruik ten minste twee montagepunten per product. Controleer of de montageklem het gewicht van het product kan dragen. Ga voor onze Chauvet-serie montageklemmen naar <http://trusst.com/productcategory/truss-clamps/>.

Montagediagram van het product



Montage boven het hoofd



Plaatsing op de vloer

Beschrijving bedieningspaneel

Toets	Functie
<MENU>	Sluit het huidige menu of functie af
<ENTER>	Activeert het huidige getoonde menu of plaatst de huidige geselecteerde waarde in de geselecteerde functie
<UP>	Navigeert omhoog via het menu of verhoogt de numerieke waarde wanneer in een functie
<DOWN>	Navigeert omlaag via het menu of verlaagt de numerieke waarde wanneer in een functie

Toegangscode

Vul na dat gevraagd te worden de volgende toegangscode in door te drukken op:

<UP>, <DOWN>, <UP>, <DOWN>, <ENTER>

Dit toegangscode kan niet gewijzigd worden en moet indien gevraagd ingevuld worden.

Menupap

Hoofdniveau	Programmeerniveaus		Beschrijving		
STAT	R.	000-255	Combineert rood, groen, blauw en wit om een aangepaste kleur te maken (0-100%)		
	G.				
	B.				
	W.				
	ST.	00-20	Selecteert de stroboscoopfrequentie (0-20 Hz)		
AUTO	AT.01-10		10 automatische programma's		
	PR.01-10		10 instelbare programma's		
RUN	DMX		DMX-modus		
	SLAV		SLAVE Slave-modus		
DMX	D.001-512		Selecteert het DMX-startadres		
PERS	RGB	TOUR	9-kanaals: RGB, dimmer, stroboscoop, kleurenmacro, auto/aangepast, dimmersnelheid, autosnelheid		
		TR16	13-kanaals: 16-bit RGB en dimmer, stroboscoop, kleurenmacro, auto/aangepast, dimmersnelheid, autosnelheid		
		AR1.D	4-kanaals: RGB, dimmer		
	RGBW	8BIT	10-kanaals: RGBW, dimmer, stroboscoop, kleurenmacro, auto/aangepast, dimmersnelheid, autosnelheid		
		16BI	15-kanaals: 16-bit RGBW en dimmer, stroboscoop, kleurenmacro, auto/aangepast, dimmersnelheid, autosnelheid		
		SSP	7-kanaals: RGBW, dimmer, stroboscoop, dimmersnelheid		
		ARC.2	4-kanaals: RGBW regeln		
		AR2.D	5-kanaals: RGBW, dimmer		
		AR2.S	6-kanaals: RGBW, dimmer, stroboscoop		
		EDIT	PR.01-10	SC.01-30	R.
G.					
B.					
W.					
SB.	00-20		Selecteert de stroboscoopfrequentie (0-20 Hz)		

Hoofdniveau	Programmeerniveaus					Beschrijving
EDIT	PR.01-10	SC.01-30	T.	000-255		Definieert de stapduur (langzaam tot snel)
			F.			Definieert de fadeduur (langzaam tot snel)
SET	UPLD	**** (Toegang-scode invullen)	OK		Uploadt aangepaste programma's naar andere Colorado 1 Quad -producten	
	REST		WAIT	OK	RGB ingesteld naar 255 = max. opbrengst	
	COLO	OFF		RGB ingesteld naar 255 = gebalanceerd wit		
		RGBW		Universele kleurenbalans		
		UC		RGB ingesteld naar 255 = max. opbrengst		
	DIM	OFF		Geen dimmer		
		DIM1		Dimmerprofielen snel (DIM1) tot langzaam (DIM4)		
		DIM2				
		DIM3				
		DIM4				
	CURV	OFF		Geen dimmer		
		CV1		Dimmercurves snel (CV1) tot langzaam (CV3)		
		CV2				
		CV3				
	DERR	SAVE		Gaat verder met de laatste opdracht na verlies van DMX-regeling		
		BLAK		Verduistert de armatuur na verlies van DMX		
	SLCK	OFF		SET toegangsvergrendeling tot het hoofdniveau		
		ON				
	STRB	CLAS		Selecteert stroboscooppersoonlijkheid		
		SPRC				
PWM	600		Selecteert de PWM-uitgangsfrequentie			
	1200					
	2000					
	2400					
	4000					
	6000					
	25K					
CAL	**** (Toegang-scode invullen)	CAL1	WH.01-11	R.	000-255	Wijzigt de kleurenmacro's die worden gebruikt in de TOUR , 8BIT , 16BI , en TR16 -persoonlijkheden
				G.		
				B.		
		CAL2	RGBW	R.		Definieert de kleurtemperatuur die wordt gebruikt wanneer COLO is ingesteld naar RGBW
				G.		
				B.		
CALR	**** (Toegang-scode invullen)	CALR	OK	Herstelt CAL naar de fabrieksinstellingen		
KEY	ON				Schakelt de toegangscode aan of uit.	
	OFF					
INFO	VERS			V__	Toont de geïnstalleerde softwareversie	

DMX-waarden RGBW Modus

16BI

Kanaal	Functie	Waarde	Percentage/instelling
1	Dimmer	000 ⇔ 255	0–100%
2	Fijne dimmer	000 ⇔ 255	0–100%
3	Rood	000 ⇔ 255	0–100% (Stapduur indien Aangepast 1-10 actief is)
4	Fijn rood	000 ⇔ 255	0–100% (Fadeduur indien Aangepast 1-10 actief is)
5	Groen	000 ⇔ 255	0–100%
6	Fijn groen	000 ⇔ 255	0–100%
7	Blauw	000 ⇔ 255	0–100%
8	Fijn blauw	000 ⇔ 255	0–100%
9	Wit	000 ⇔ 255	0–100%
10	Fijn wit	000 ⇔ 255	0–100%
11	Kleurenmacro	000 ⇔ 010	Geen functie
		011 ⇔ 030	R: 100% G: 0–100% B: 0%
		031 ⇔ 050	R: 100–0% G: 100% B: 0%
		051 ⇔ 070	R: 0% G: 100% B: 0–100%
		071 ⇔ 090	R: 0% G: 100–0% B: 100%
		091 ⇔ 110	R: 0–100% G: 0% B: 100%
		111 ⇔ 130	R: 100% G: 0% B: 100–0%
		131 ⇔ 150	R: 100% G: 0–100% B: 0–100%
		151 ⇔ 170	R: 100% G: 100–0% B: 100%
		171 ⇔ 200	RGBW: 100%
		201 ⇔ 205	Wit 1
		206 ⇔ 210	Wit 2
		211 ⇔ 215	Wit 3
		216 ⇔ 220	Wit 4
		221 ⇔ 225	Wit 5
		226 ⇔ 230	Wit 6
		231 ⇔ 235	Wit 7
236 ⇔ 240	Wit 8		
241 ⇔ 245	Wit 9		
246 ⇔ 250	Wit 10		
251 ⇔ 255	Wit 11		
12	Speciaal stroboscoop	000 ⇔ 009	Geen functie
		010 ⇔ 099	stroboscoop, snel tot langzaam
		100 ⇔ 109	Geen functie
		110 ⇔ 179	Bliksem stroboscoop, snel tot langzaam
		180 ⇔ 189	Geen functie
		190 ⇔ 255	Random stroboscoop, snel tot langzaam
	Klassiek stroboscoop	000 ⇔ 009	Geen functie
	010 ⇔ 019	1 Hz	
	020 ⇔ 029	2 Hz	

*Selecteer de stroboscoop-functie in het hoofdmenu onder **SET> STRB> CLAS** of **SPRC**

Kanaal	Functie	Waarde	Percentage/instelling
12	Klassiek stroboscoop	030 ⇔ 039	3 Hz
		040 ⇔ 049	4 Hz
		050 ⇔ 059	5 Hz
		060 ⇔ 069	6 Hz
		070 ⇔ 079	7 Hz
		080 ⇔ 089	8 Hz
		090 ⇔ 099	9 Hz
		100 ⇔ 109	10 Hz
		110 ⇔ 119	11 Hz
		120 ⇔ 129	12 Hz
		130 ⇔ 139	13 Hz
		140 ⇔ 149	14 Hz
		150 ⇔ 159	15 Hz
		160 ⇔ 169	16 Hz
		170 ⇔ 179	17 Hz
		180 ⇔ 189	18 Hz
		190 ⇔ 199	19 Hz
200 ⇔ 255	20 Hz		
13	Programma's	000 ⇔ 020	Geen functie
		021 ⇔ 030	Auto 1
		031 ⇔ 040	Auto 2
		041 ⇔ 050	Auto 3
		051 ⇔ 060	Auto 4
		061 ⇔ 070	Auto 5
		071 ⇔ 080	Auto 6
		081 ⇔ 090	Auto 7
		091 ⇔ 100	Auto 8
		101 ⇔ 110	Auto 9
		111 ⇔ 120	Auto 10
		121 ⇔ 130	Aangepast 1
		131 ⇔ 140	Aangepast 2
		141 ⇔ 150	Aangepast 3
		151 ⇔ 160	Aangepast 4
		161 ⇔ 170	Aangepast 5
		171 ⇔ 180	Aangepast 6
181 ⇔ 190	Aangepast 7		
191 ⇔ 200	Aangepast 8		
201 ⇔ 210	Aangepast 9		
211 ⇔ 220	Aangepast 10		
221 ⇔ 255	Geen functie		
14	Autosnelheid	000 ⇔ 255	0-100% (alleen bij gebruik van Auto 1-10)
15	Dimmersnelheid	000 ⇔ 009	Geen functie
		010 ⇔ 029	Linear dimmer
		030 ⇔ 069	Dimcurve 1
		070 ⇔ 129	Dimcurve 2
		130 ⇔ 189	Dimcurve 3
190 ⇔ 255	Dimcurve 4		

NL

8BIT

Kanaal	Functie	Waarde	Percentage/instelling
1	Dimmer	000 ⇔ 255	0–100%
2	Rood	000 ⇔ 255	0-100% (Stapduur indien Aangepast 1-10 actief is)
3	Groen	000 ⇔ 255	0-100% (Fadeduur indien Aangepast 1-10 actief is)
4	Blauw	000 ⇔ 255	0–100%
5	Wit	000 ⇔ 255	0–100%
6	Kleurenmacro	000 ⇔ 010	Geen functie
		011 ⇔ 030	R: 100% G: 0–100% B: 0%
		031 ⇔ 050	R: 100–0% G: 100% B: 0%
		051 ⇔ 070	R: 0% G: 100% B: 0–100%
		071 ⇔ 090	R: 0% G: 100–0% B: 100%
		091 ⇔ 110	R: 0–100% G: 0% B: 100%
		111 ⇔ 130	R: 100% G: 0% B: 100–0%
		131 ⇔ 150	R: 100% G: 0–100% B: 0–100%
		151 ⇔ 170	R: 100–0% G: 100–0% B: 100%
		171 ⇔ 200	RGBW: 100%
		201 ⇔ 205	Wit 1
		206 ⇔ 210	Wit 2
		211 ⇔ 215	Wit 3
		216 ⇔ 220	Wit 4
		221 ⇔ 225	Wit 5
		226 ⇔ 230	Wit 6
		231 ⇔ 235	Wit 7
236 ⇔ 240	Wit 8		
241 ⇔ 245	Wit 9		
246 ⇔ 250	Wit 10		
251 ⇔ 255	Wit 11		
7	Speciaal stroboscoop	000 ⇔ 009	Geen functie
		010 ⇔ 099	stroboscoop, snel tot langzaam
		100 ⇔ 109	Geen functie
		110 ⇔ 179	Bliksem stroboscoop, snel tot langzaam
		180 ⇔ 189	Geen functie
		190 ⇔ 255	Random stroboscoop, snel tot langzaam
	Klassiek stroboscoop	000 ⇔ 009	Geen functie
		010 ⇔ 019	1 Hz
		020 ⇔ 029	2 Hz
		030 ⇔ 039	3 Hz
		040 ⇔ 049	4 Hz
		050 ⇔ 059	5 Hz
		060 ⇔ 069	6 Hz
070 ⇔ 079	7 Hz		
080 ⇔ 089	8 Hz		
090 ⇔ 099	9 Hz		
100 ⇔ 109	10 Hz		
110 ⇔ 119	11 Hz		
120 ⇔ 129	12 Hz		
130 ⇔ 139	13 Hz		

*Selecteer de stroboscoop-functie in het hoofdmenu onder **SET> STRB> CLAS** of **SPRC**

Kanaal	Functie	Waarde	Percentage/instelling
7	Klassiek stroboscoop	140 ⇔ 149	14 Hz
		150 ⇔ 159	15 Hz
		160 ⇔ 169	16 Hz
		170 ⇔ 179	17 Hz
		180 ⇔ 189	18 Hz
		190 ⇔ 199	19 Hz
		200 ⇔ 255	20 Hz
8	Programma's	000 ⇔ 020	Geen functie
		021 ⇔ 030	Auto 1
		031 ⇔ 040	Auto 2
		041 ⇔ 050	Auto 3
		051 ⇔ 060	Auto 4
		061 ⇔ 070	Auto 5
		071 ⇔ 080	Auto 6
		081 ⇔ 090	Auto 7
		091 ⇔ 100	Auto 8
		101 ⇔ 110	Auto 9
		111 ⇔ 120	Auto 10
		121 ⇔ 130	Aangepast 1
		131 ⇔ 140	Aangepast 2
		141 ⇔ 150	Aangepast 3
		151 ⇔ 160	Aangepast 4
		161 ⇔ 170	Aangepast 5
		171 ⇔ 180	Aangepast 6
181 ⇔ 190	Aangepast 7		
191 ⇔ 200	Aangepast 8		
201 ⇔ 210	Aangepast 9		
211 ⇔ 220	Aangepast 10		
221 ⇔ 255	Geen functie		
9	Autosnelheid	000 ⇔ 255	0-100% (alleen bij gebruik van Auto 1-10)
10	Dimmersnelheid	000 ⇔ 009	Geen functie
		010 ⇔ 029	Linear dimmer
		030 ⇔ 069	Dimcurve 1
		070 ⇔ 129	Dimcurve 2
		130 ⇔ 189	Dimcurve 3
		190 ⇔ 255	Dimcurve 4

SSP

Kanaal	Functie	Waarde	Percentage/instelling
1	Dimmer	000 ⇔ 255	0-100%
2	Rood	000 ⇔ 255	0-100%
3	Groen	000 ⇔ 255	0-100%
4	Blauw	000 ⇔ 255	0-100%
5	Wit	000 ⇔ 255	0-100%
6	Speciaal stroboscoop	000 ⇔ 009	Geen functie
		010 ⇔ 099	stroboscoop, snel tot langzaam
		100 ⇔ 109	Geen functie

Kanaal	Functie	Waarde	Percentage/instelling
6	Speciaal stroboscoop	110 ⇔ 179	Bliksem stroboscoop, snel tot langzaam
		180 ⇔ 189	Geen functie
		190 ⇔ 255	Random stroboscoop, snel tot langzaam
	Klassiek stroboscoop	000 ⇔ 009	Geen functie
		010 ⇔ 019	1 Hz
		020 ⇔ 029	2 Hz
		030 ⇔ 039	3 Hz
		040 ⇔ 049	4 Hz
		050 ⇔ 059	5 Hz
		060 ⇔ 069	6 Hz
		070 ⇔ 079	7 Hz
		080 ⇔ 089	8 Hz
		090 ⇔ 099	9 Hz
		100 ⇔ 109	10 Hz
		110 ⇔ 119	11 Hz
		120 ⇔ 129	12 Hz
		130 ⇔ 139	13 Hz
		140 ⇔ 149	14 Hz
		150 ⇔ 159	15 Hz
		160 ⇔ 169	16 Hz
170 ⇔ 179	17 Hz		
180 ⇔ 189	18 Hz		
190 ⇔ 199	19 Hz		
200 ⇔ 255	20 Hz		
7	Dimmersnelheid	000 ⇔ 009	Geen functie
		010 ⇔ 029	Linear dimmer
		030 ⇔ 069	Dimcurve 1
		070 ⇔ 129	Dimcurve 2
		130 ⇔ 189	Dimcurve 3
		190 ⇔ 255	Dimcurve 4

*Selecteer de stroboscoop-functie in het hoofdmenu onder **SET> STRB> CLAS** of **SPRC**

AR2.S

Kanaal	Functie	Waarde	Percentage/instelling
1	Dimmer	000 ⇔ 255	0–100%
2	Rood	000 ⇔ 255	0–100%
3	Groen	000 ⇔ 255	0–100%
4	Blauw	000 ⇔ 255	0–100%
5	Wit	000 ⇔ 255	0–100%
6	Stroboscoop	000 ⇔ 255	0–20Hz

AR2.D

Kanaal	Functie	Waarde	Percentage/instelling
1	Dimmer	000 ⇔ 255	0–100%
2	Rood	000 ⇔ 255	0–100%
3	Groen	000 ⇔ 255	0–100%
4	Blauw	000 ⇔ 255	0–100%
5	Wit	000 ⇔ 255	0–100%

ARC.2

Kanaal	Functie	Waarde	Percentage/instelling
1	Rood	000 ⇔ 255	0–100%
2	Groen	000 ⇔ 255	0–100%
3	Blauw	000 ⇔ 255	0–100%
4	Wit	000 ⇔ 255	0–100%

DMX-waarden RGB Modus
TR16

Kanaal	Functie	Waarde	Percentage/instelling
1	Dimmer	000 ⇔ 255	0–100%
2	Fijne dimmer	000 ⇔ 255	0–100%
3	Rood	000 ⇔ 255	0–100% (Stapduur indien Aangepast 1-10 actief is)
4	Fijn rood	000 ⇔ 255	0–100% (Fadeduur indien Aangepast 1-10 actief is)
5	Groen	000 ⇔ 255	0–100%
6	Fijn groen	000 ⇔ 255	0–100%
7	Blauw	000 ⇔ 255	0–100%
8	Fijn blauw	000 ⇔ 255	0–100%
9	Kleurenmacro	000 ⇔ 010	Geen functie
		011 ⇔ 030	R: 100% G: 0–100% B: 0%
		031 ⇔ 050	R: 100–0% G: 100% B: 0%
		051 ⇔ 070	R: 0% G: 100% B: 0–100%
		071 ⇔ 090	R: 0% G: 100–0% B: 100%
		091 ⇔ 110	R: 0–100% G: 0% B: 100%
		111 ⇔ 130	R: 100% G: 0% B: 100–0%
		131 ⇔ 150	R: 100% G: 0–100% B: 0–100%
		151 ⇔ 170	R: 100–0% G: 100–0% B: 100%
		171 ⇔ 200	RGBW: 100%
		201 ⇔ 205	Wit 1
		206 ⇔ 210	Wit 2
		211 ⇔ 215	Wit 3
		216 ⇔ 220	Wit 4
		221 ⇔ 225	Wit 5
		226 ⇔ 230	Wit 6
		231 ⇔ 235	Wit 7
		236 ⇔ 240	Wit 8
241 ⇔ 245	Wit 9		
246 ⇔ 250	Wit 10		
251 ⇔ 255	Wit 11		

Kanaal	Functie	Waarde	Percentage/instelling
10	Speciaal stroboscoop	000 ⇔ 009	Geen functie
		010 ⇔ 099	stroboscoop, snel tot langzaam
		100 ⇔ 109	Geen functie
		110 ⇔ 179	Bliksem stroboscoop, snel tot langzaam
		180 ⇔ 189	Geen functie
		190 ⇔ 255	Random stroboscoop, snel tot langzaam
	Klassiek stroboscoop	000 ⇔ 009	Geen functie
		010 ⇔ 019	1 Hz
		020 ⇔ 029	2 Hz
		030 ⇔ 039	3 Hz
		040 ⇔ 049	4 Hz
		050 ⇔ 059	5 Hz
		060 ⇔ 069	6 Hz
		070 ⇔ 079	7 Hz
		080 ⇔ 089	8 Hz
		090 ⇔ 099	9 Hz
		100 ⇔ 109	10 Hz
		110 ⇔ 119	11 Hz
		120 ⇔ 129	12 Hz
		130 ⇔ 139	13 Hz
140 ⇔ 149	14 Hz		
150 ⇔ 159	15 Hz		
160 ⇔ 169	16 Hz		
170 ⇔ 179	17 Hz		
180 ⇔ 189	18 Hz		
190 ⇔ 199	19 Hz		
200 ⇔ 255	20 Hz		
11	Programma's	000 ⇔ 020	Geen functie
		021 ⇔ 030	Auto 1
		031 ⇔ 040	Auto 2
		041 ⇔ 050	Auto 3
		051 ⇔ 060	Auto 4
		061 ⇔ 070	Auto 5
		071 ⇔ 080	Auto 6
		081 ⇔ 090	Auto 7
		091 ⇔ 100	Auto 8
		101 ⇔ 110	Auto 9
		111 ⇔ 120	Auto 10
		121 ⇔ 130	Aangepast 1
		131 ⇔ 140	Aangepast 2
		141 ⇔ 150	Aangepast 3
		151 ⇔ 160	Aangepast 4
161 ⇔ 170	Aangepast 5		
171 ⇔ 180	Aangepast 6		
181 ⇔ 190	Aangepast 7		

*Selecteer de stroboscoop-functie in het hoofdmenu onder **SET> STRB> CLAS** of **SPRC**

Kanaal	Functie	Waarde	Percentage/instelling
11	Programma's	191 ⇔ 200	Aangepast 8
		201 ⇔ 210	Aangepast 9
		211 ⇔ 220	Aangepast 10
		221 ⇔ 255	Geen functie
12	Autosnelheid	000 ⇔ 255	0-100% (alleen bij gebruik van Auto 1-10)
13	Dimmersnelheid	000 ⇔ 009	Geen functie
		010 ⇔ 029	Linear dimmer
		030 ⇔ 069	Dimcurve 1
		070 ⇔ 129	Dimcurve 2
		130 ⇔ 189	Dimcurve 3
		190 ⇔ 255	Dimcurve 4

TOUR

Kanaal	Functie	Waarde	Percentage/instelling
1	Dimmer	000 ⇔ 255	0-100%
2	Rood	000 ⇔ 255	0-100% (Stapduur indien Aangepast 1-10 actief is)
3	Groen	000 ⇔ 255	0-100% (Fadeduur indien Aangepast 1-10 actief is)
4	Blauw	000 ⇔ 255	0-100%
5	Kleurenmacro	000 ⇔ 010	Geen functie
		011 ⇔ 030	R: 100% G: 0-100% B: 0%
		031 ⇔ 050	R: 100-0% G: 100% B: 0%
		051 ⇔ 070	R: 0% G: 100% B: 0-100%
		071 ⇔ 090	R: 0% G: 100-0% B: 100%
		091 ⇔ 110	R: 0-100% G: 0% B: 100%
		111 ⇔ 130	R: 100% G: 0% B: 100-0%
		131 ⇔ 150	R: 100% G: 0-100% B: 0-100%
		151 ⇔ 170	R: 100-0% G: 100-0% B: 100%
		171 ⇔ 200	RGBW: 100%
		201 ⇔ 205	Wit 1
		206 ⇔ 210	Wit 2
		211 ⇔ 215	Wit 3
		216 ⇔ 220	Wit 4
		221 ⇔ 225	Wit 5
		226 ⇔ 230	Wit 6
		231 ⇔ 235	Wit 7
		236 ⇔ 240	Wit 8
241 ⇔ 245	Wit 9		
246 ⇔ 250	Wit 10		
251 ⇔ 255	Wit 11		

Kanaal	Functie	Waarde	Percentage/instelling
6	Speciaal stroboscoop	000 ⇔ 009	Geen functie
		010 ⇔ 099	stroboscoop, snel tot langzaam
		100 ⇔ 109	Geen functie
		110 ⇔ 179	Bliksem stroboscoop, snel tot langzaam
		180 ⇔ 189	Geen functie
		190 ⇔ 255	Random stroboscoop, snel tot langzaam
	Klassiek stroboscoop	000 ⇔ 009	Geen functie
		010 ⇔ 019	1 Hz
		020 ⇔ 029	2 Hz
		030 ⇔ 039	3 Hz
		040 ⇔ 049	4 Hz
		050 ⇔ 059	5 Hz
		060 ⇔ 069	6 Hz
		070 ⇔ 079	7 Hz
		080 ⇔ 089	8 Hz
		090 ⇔ 099	9 Hz
		100 ⇔ 109	10 Hz
		110 ⇔ 119	11 Hz
		120 ⇔ 129	12 Hz
		130 ⇔ 139	13 Hz
140 ⇔ 149	14 Hz		
150 ⇔ 159	15 Hz		
160 ⇔ 169	16 Hz		
170 ⇔ 179	17 Hz		
180 ⇔ 189	18 Hz		
190 ⇔ 199	19 Hz		
200 ⇔ 255	20 Hz		
7	Programma's	000 ⇔ 020	Geen functie
		021 ⇔ 030	Auto 1
		031 ⇔ 040	Auto 2
		041 ⇔ 050	Auto 3
		051 ⇔ 060	Auto 4
		061 ⇔ 070	Auto 5
		071 ⇔ 080	Auto 6
		081 ⇔ 090	Auto 7
		091 ⇔ 100	Auto 8
		101 ⇔ 110	Auto 9
		111 ⇔ 120	Auto 10
		121 ⇔ 130	Aangepast 1
		131 ⇔ 140	Aangepast 2
		141 ⇔ 150	Aangepast 3
		151 ⇔ 160	Aangepast 4
		161 ⇔ 170	Aangepast 5
		171 ⇔ 180	Aangepast 6
		181 ⇔ 190	Aangepast 7
191 ⇔ 200	Aangepast 8		

*Selecteer de stroboscoop-functie in het hoofdmenu onder **SET> STRB> CLAS** of **SPRC**

Kanaal	Functie	Waarde	Percentage/instelling
7	Programma's	201 ⇔ 210	Aangepast 9
		211 ⇔ 220	Aangepast 10
		221 ⇔ 255	Geen functie
8	Autosnelheid	000 ⇔ 255	0-100% (alleen bij gebruik van Auto 1-10)
9	Dimmersnelheid	000 ⇔ 009	Geen functie
		010 ⇔ 029	Linear dimmer
		030 ⇔ 069	Dimcurve 1
		070 ⇔ 129	Dimcurve 2
		130 ⇔ 189	Dimcurve 3
		190 ⇔ 255	Dimcurve 4

AR1.D

Kanaal	Functie	Waarde	Percentage/instelling
1	Dimmer	000 ⇔ 255	0-100%
2	Rood	000 ⇔ 255	0-100% (Stapduur indien Aangepast 1-10 actief is)
3	Groen	000 ⇔ 255	0-100% (Fadeduur indien Aangepast 1-10 actief is)
4	Blauw	000 ⇔ 255	0-100%

Contact Us

General Information	Technical Support
Chauvet World Headquarters	
Address: 5200 NW 108th Ave. Sunrise, FL 33351 Voice: (954) 577-4455 Fax: (954) 929-5560 Toll Free: (800) 762-1084	Voice: (844) 393-7575 Fax: (954) 756-8015 Email: chauvetcs@chauvetlighting.com Website: www.chauvetprofessional.com
Chauvet Europe Ltd.	
Address: Unit 1C Brookhill Road Industrial Estate Pinxton, Nottingham, UK NG16 6NT Voice: +44 (0) 1773 511115 Fax: +44 (0) 1773 511110	Email: UKtech@chauvetlighting.eu Website: www.chauvetprofessional.eu
Chauvet Europe BVBA	
Address: Stokstraat 18 9770 Kruishoutem Belgium Voice: +32 9 388 93 97	Email: BNLtech@chauvetlighting.eu Website: www.chauvetprofessional.eu
Chauvet France	
Address: 3, Rue Ampère 91380 Chilly-Mazarin France Voice: +33 1 78 85 33 59	Email: FRtech@chauvetlighting.fr Website: www.chauvetprofessional.eu
Chauvet Germany	
Address: Bruno-Bürgel-Str. 11 28759 Bremen Germany Voice: +49 421 62 60 20	Email: DEtech@chauvetlighting.de Website: www.chauvetprofessional.eu
Chauvet Mexico	
Address: Av. de las Partidas 34 - 3B (Entrance by Calle 2) Zona Industrial Lerma Lerma, Edo. de México, CP 52000 Voice: +52 (728) 690-2010	Email: servicio@chauvet.com.mx Website: www.chauvetprofessional.mx

Visit the applicable website above to verify our contact information and instructions to request support. Outside the U.S., United Kingdom, Ireland, Mexico, France, Germany, or Benelux, contact the dealer of record.



UL 1573
CSA C22.2 No. 166
E113093



RoHS

