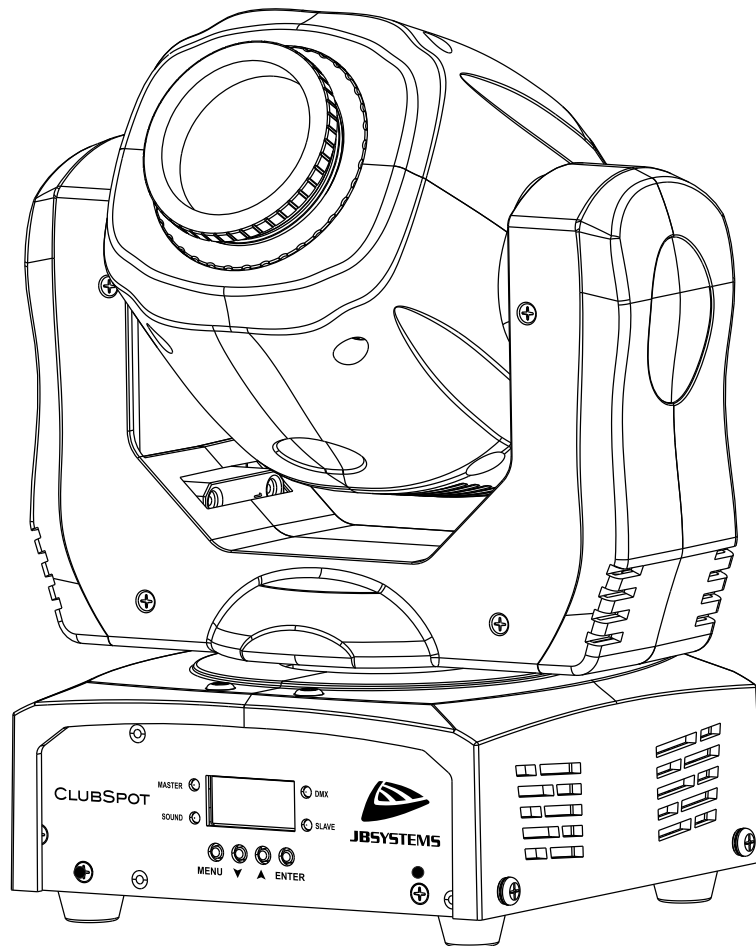


# CLUBSPOT



## ENGLISH Operation Manual

Other languages can be downloaded from:  
[WWW.JB-SYSTEMS.EU](http://WWW.JB-SYSTEMS.EU)



*Version: 1.0*

**JB SYSTEMS**



### **EN - DISPOSAL OF THE DEVICE**

Dispose of the unit and used batteries in an environment friendly manner according to your country regulations.

### **FR - DÉCLASSER L'APPAREIL**

Débarrassez-vous de l'appareil et des piles usagées de manière écologique Conformément aux dispositions légales de votre pays.

### **NL - VERWIJDEREN VAN HET APPARAAT**

Verwijder het toestel en de gebruikte batterijen op een milieuvriendelijke manier conform de in uw land geldende voorschriften.

### **DU - ENTSORGUNG DES GERÄTS**

Entsorgen Sie das Gerät und die Batterien auf umweltfreundliche Art und Weise gemäß den Vorschriften Ihres Landes.

### **ES - DESHACERSE DEL APARATO**

Reciclar el aparato y pilas usadas de forma ecologica conforme a las disposiciones legales de su país.

### **PT - COMO DESFAZER-SE DA UNIDADE**

Tente reciclar a unidade e as pilhas usadas respeitando o ambiente e em conformidade com as normas vigentes no seu país.

# OPERATION MANUAL

Thank you for buying this JB Systems® product. To take full advantage of all possibilities and for your own safety, please read these operating instructions very carefully before you start using this unit.

## FEATURES

- An extremely compact but very bright 35W LED moving spot with 12° beam
- The perfect solution for many applications: DJ's, parties, pubs, small clubs,...
- Very low power consumption, only 60 W !
- A real lightweight: only 3,5kg !
- 0-100% dimming and different strobe effects
- Separate gobo wheel with 7 fixed gobos + open + shaking gobos
- Separate color wheel with 7 colors + white + split colors
- Excellent built-in programs for wonderful light shows.
- Prepared for wireless DMX: just plug-in an optional WTR-DMX DONGLE ! (optional, Briteq® code 4645)
- Multiple working modes:
  - DMX-control: via 5, 9 or 11 channels
  - Standalone: sound activated with internal mic
  - Master/slave: wonderful synchronized lightshows.
- 4-digit LED-display for easy menu navigation

## BEFORE USE

- Before you start using this unit, please check if there's no transportation damage. Should there be any, do not use the device and consult your dealer first.
- **Important:** This device left our factory in perfect condition and well packaged. It is absolutely necessary for the user to strictly follow the safety instructions and warnings in this user manual. Any damage caused by mishandling is not subject to warranty. The dealer will not accept responsibility for any resulting defects or problems caused by disregarding this user manual.
- Keep this booklet in a safe place for future consultation. If you sell the fixture, be sure to add this user manual.

### Check the contents:

Check that the carton contains the following items:

- CLUBSPOT unit
- U-bracket with bolts (for Truss clamp)
- IEC13-power cable
- Operating instructions

## SAFETY INSTRUCTIONS:



**CAUTION**  
RISK OF ELECTRIC SHOCK  
DO NOT OPEN



**CAUTION:** To reduce the risk of electric shock, do not remove the top cover. No user-serviceable parts inside. Refer servicing to qualified service personnel only.



The lightning flash with arrowhead symbol within the equilateral triangle is intended to alert the user or the presence of un-insulated "dangerous voltage" within the product's enclosure that may be of sufficient magnitude to constitute a risk of electric shock.



The exclamation point within the equilateral triangle is intended to alert the user to the presence of important operation and maintenance (servicing) instructions in the literature accompanying this appliance.



This symbol means: indoor use only



This symbol means: Read instructions

**RISK GROUP 2**  
**CAUTION:**  
Do not stare at operating lamp

**CAUTION:** Do not stare at operating lamp.  
May be harmful to the eyes.

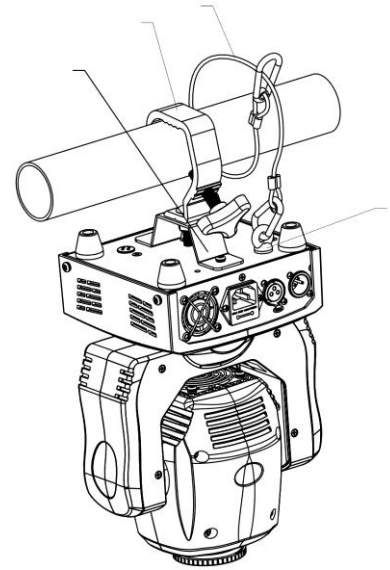
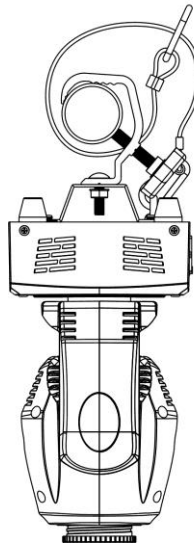
- To protect the environment, please try to recycle the packing material as much as possible.
- To prevent fire or shock hazard, do not expose this appliance to rain or moisture.
- To avoid condensation to be formed inside, allow the unit to adapt to the surrounding temperatures when bringing it into a warm room after transport. Condense sometimes prevents the unit from working at full performance or may even cause damages.
- This unit is for indoor use only.
- Don't place metal objects or spill liquid inside the unit. Electric shock or malfunction may result. If a foreign object enters the unit, immediately disconnect the mains power.
- Locate the fixture in a well ventilated spot, away from any flammable materials and/or liquids. The fixture must be fixed at least 50cm from surrounding walls.
- Don't cover any ventilation openings as this may result in overheating.
- Prevent use in dusty environments and clean the unit regularly.
- Keep the unit away from children.
- Inexperienced persons should not operate this device.
- Maximum safe ambient temperature is 40°C. Don't use this unit at higher ambient temperatures.
- Make sure the area below the installation place is free from unwanted persons during rigging, de-rigging and servicing.
- Allow the device about 10 minutes to cool down before to start servicing.
- Always unplug the unit when it is not used for a longer time or before to start servicing.
- The electrical installation should be carried out by qualified personal only, according to the regulations for electrical and mechanical safety in your country.
- Check that the available voltage is not higher than the one stated on the unit.
- The power cord should always be in perfect condition. Switch the unit immediately off when the power cord is squashed or damaged. It must be replaced by the manufacturer, its service agent or similarly qualified persons in order to avoid a hazard.
- Never let the power-cord come into contact with other cables!
- This fixture must be earthed in order to comply with safety regulations.
- Don't connect the unit to any dimmer pack.
- Always use an appropriate and certified safety cable when installing the unit.
- In order to prevent electric shock, do not open the cover. There are no user serviceable parts inside.
- **Never** repair a fuse or bypass the fuse holder. **Always** replace a damaged fuse with a fuse of the same type and electrical specifications!
- In the event of serious operating problems, stop using the fixture and contact your dealer immediately.
- The housing and the lenses must be replaced if they are visibly damaged.
- Please use the original packing when the device is to be transported.
- Due to safety reasons it is prohibited to make unauthorized modifications to the unit.

**Important:** Never look directly into the light source! Don't use the effect in the presence of persons suffering from epilepsy.

## OVERHEAD RIGGING

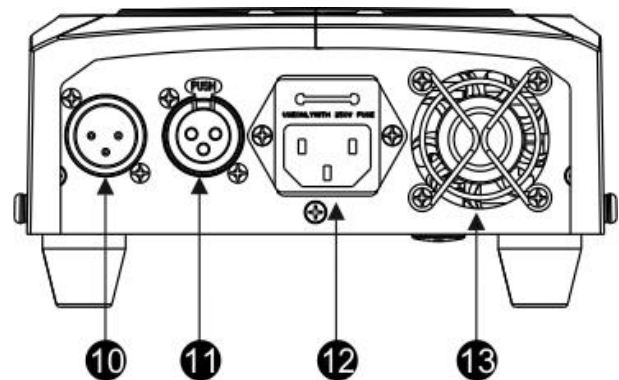
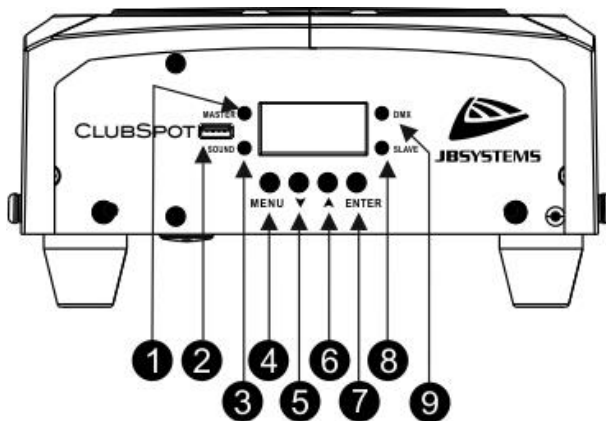
• **Important:** The installation must be carried out by qualified service personal only. Improper installation can result in serious injuries and/or damage to property. Overhead rigging requires extensive experience! Working load limits should be respected, certified installation materials should be used, the installed device should be inspected regularly for safety.

- Make sure the area below the installation place is free from unwanted persons during rigging, de-rigging and servicing.
- Locate the fixture in a well ventilated spot, far away from any flammable materials and/or liquids. The fixture must be fixed **at least 50cm** from surrounding walls.
- The device should be installed out of reach of people and outside areas where persons may walk by or be seated.
- Before rigging make sure that the installation area can hold a minimum point load of 10times the device's weight.
- Always use a certified safety cable (number 3 on the picture) that can hold 12 times the weight of the device when installing the unit. This secondary safety attachment should be installed in a way that no part of the installation can drop more than 20cm if the main attachment fails.
- The device should be well fixed; a free-swinging mounting is dangerous and may not be considered!
- Don't cover any ventilation openings as this may result in overheating.
- The operator has to make sure that the safety-relating and machine-technical installations are approved by an expert before using them for the first time. The installations should be inspected every year by a skilled person to be sure that safety is still optimal.



## HOW TO SET UP THE UNIT

### FRONT + BACK PANEL:



1. **[MASTER]** : This LED lits when the CLUBSPOT is in Master mode.
2. **M-DMX INPUT**: Please note that this USB-connector is **NOT** used for updates or to connect the unit to a PC! Instead this USB-connector makes it very easy to add wireless DMX to the unit! Just add the (optional) WTR-DMX DONGLE from BRITEQ® and you will get wireless DMX! Moreover you will be able to connect other DMX-controlled equipment to the DMX-output so you can share the wireless DMX function with all connected units! No extra settings to be made in the setup menu, just follow the procedure in the user manual supplied with the WTR-DMX DONGLE from BRITEQ®. The separate WTR-DMX DONGLE is available from [WWW.BRITEQ-LIGHTING.COM](http://WWW.BRITEQ-LIGHTING.COM) (order code: 4645)
3. **[SOUND]**: This LED reacts to the audio when the CLUBSPOT is in sound mode.
4. **[MENU]**: press this button to go back to the main menu or to leave submenus.

5. [▼] button : press this button to go down in the menu.
6. [▲] button : press this button to go up in the menu.
7. [ENTER]: press this button to confirm the selected function in the menu
8. [SLAVE]: This LED lits when the CLUBSPOT is in Slave mode.
9. [DMX]: This LED lits when a DMX-signal is present.
10. **DMX INPUT** connector 3pin XLR Male.
11. **DMX OUTPUT** connector 3p XLR Female.
12. **MAINS INPUT** with IEC14 socket and integrated fuse holder, connect the supplied mains cable here.
13. **FAN** for cooling the electronic components in the base of the machine.

**MAIN MENU:**

- To select any of the functions, press the [MENU] button and use the ▼ / ▲ buttons to browse the menu.
- Select the function with the [ENTER] button (the display blinks).
- Use ▼ and ▲ buttons to change the mode.
- Once the required mode is selected, press the [ENTER] button to select.
- Press the [MENU] button for about 2 seconds to store the setting and to return to running mode. If you don't do this, the setting will not be stored and after about 8 seconds, the fixture will return to the previous running mode.

**DMX Address [Addr]**

Used to set the starting address in a DMX setup.

- Press the [MENU] and ▲/▼ buttons until "[Addr]" is shown on the display.
- Press the [ENTER] button.
- Use ▼ and ▲ buttons to change the DMX512 address.
- Once the correct address shows on the display, press the [ENTER] button to select it.
- Press the MENU button for about 2 seconds to store the setting and to return to running mode.

**Channel mode [ChMd]**

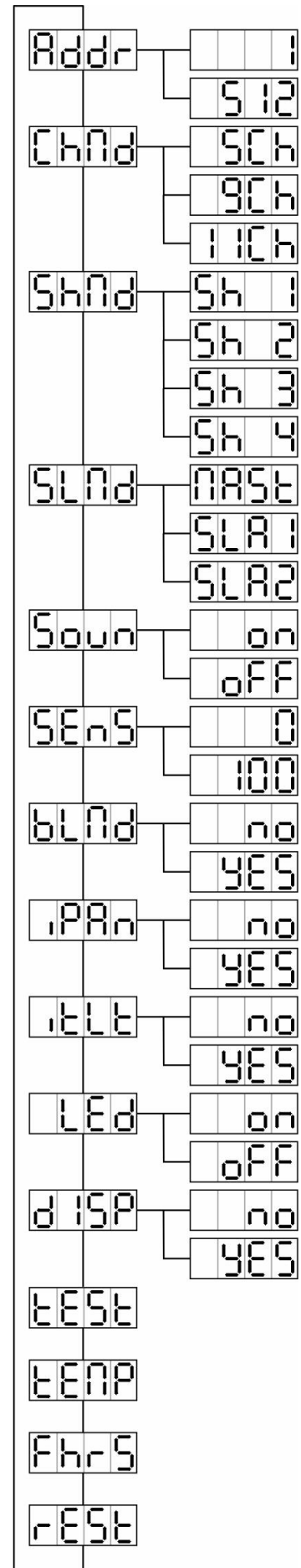
Used to set the desired channel setup mode.

- Press the [MENU] and ▲/▼ buttons until "[ChMd]" is shown on the display.
- Press the [ENTER] button.
- Use ▼ and ▲ buttons to choose 5CH, 9CH or 11CH mode.
- Once the desired channel setup mode shows on the display, press the [ENTER] button to select it.
- Press the [MENU] button for about 2 seconds to store the setting and to return to running mode.

**Show Mode [ShMd]**

Used to choose the Show mode when used in standalone or master/slave. Press the [MENU] and ▲/▼ buttons until "[ShMd]" is showing on the display.

- Press the [ENTER] button.
- Use ▼ and ▲ buttons to select one of the available shows:
  - [Sh 1]: (Show 1) Fixture is placed **on the floor**. Tilt movement angle 210°.
  - [Sh 2]: (Show 2) Fixture is fixed **under ceiling**. Tilt movement angle 90°.
  - [Sh 3]: (Show 3) Fixture is placed **on a podium, in front of the audience**. The spot is always projecting to the audience's direction; i.e. in front of the stage. Pan movement angle (left to right to left): 160°. Tilt movement angle: 90° (60° above horizon; 30° below horizon.)
  - [Sh 4]: (Show 4) Fixture is fixed **under ceiling on the stage**. The spot is mainly projecting in front of the stage. Pan movement angle (left to right to left):160°. Tilt movement angle: 90° (vertically, front 75°; back



15°)

- Once the desired mode is shown on the display, press the [ENTER] button to select it.
  - Press the [MENU] button for about 2 seconds to store the setting and to return to running mode.
- REMARK:** The first fixture always have to be set as Master. Check chapter “[Slave Mode]” for the configuration.

### **Slave Mode [SLMd]**

**Used to make the slave unit work in opposite to the master or to work in complete sync.**

- Press the [MENU] and ▲/▼ buttons until “[SLMd]” is shown on the display.
- Press the [ENTER] button.
- Use ▼ and ▲ button to select [Slave1] (normal) or [Slave2] (2 light show) mode.
- Once the right mode is shown on the display, press the [ENTER] button to select it.
- Press the [MENU] button for about 2 seconds to store the setting and to return to running mode.

### **Sound mode [Soun]**

**Used to activate or deactivate sound control.**

- Press the [MENU] and [▲/▼] buttons until [Soun] is shown on the display.
- Press the [ENTER] button.
- Use [▲/▼] button to choose [oFF] (DMX or Master/slave control) or [on] (sound) mode.
- Once the right mode is shown on the display, press the [ENTER] button to select it.
- Press the [MENU] button for about 2 seconds to store the setting and to return to running mode.

### **Sound Sense [SEnS]**

**Used to set the sensitivity of the internal microphone**

- Press the [MENU] and ▲/▼ buttons until “[SEnS]” is shown on the display.
- Press the [ENTER] button.
- Use ▼ and ▲ button to choose a value between “00” (very low sensitivity) and “100” (high sensitivity).
- Once the right value is shown on the display, press the [ENTER] button select it.
- Press the [MENU] button for about 2 seconds to store the setting and to return to running mode.

### **Blackout Mode [BLMd]**

**Determines how the projector should react when no DMX-signal is detected.**

- Press the [MENU] and ▲/▼ buttons until “[BLMd]” is shown on the display.
- Press the [ENTER] button.
- Use ▼ and ▲ button to select one of the available blackout modes:
  - **[YES]:** The unit will go in blackout mode as soon as no DMX is detected.
  - **[no]:** The unit starts working in SOUND mode, based on the settings made in the setup menu.
- Once the right mode is shown on the display, press the [ENTER] button to select it.
- Press the [MENU] button for about 2 seconds to store the setting and to return to running mode.

### **Pan Inversion [iPAAn]**

**Normal: Panning movement is not inverted.**

**Pan inversion: Panning movement is inverted**

- Press the [MENU] and ▲/▼ buttons until “[iPAAn]” is shown on the display.
- Press the [ENTER] button.
- Use ▼ and ▲ button to select “[no]” (normal) or “[YES]” (pan inversion) mode.
- Once the mode is selected, press the [ENTER] button to select it.
- Press the [MENU] button for about 2 seconds to store the setting and to return to running mode.

### **Tilt Inversion [ItLt]**

**Normal: Tilt movement is not inverted.**

**Tilt inversion: tilt movement is inverted**

- Press the [MENU] and ▲/▼ buttons until “[ItLt]” is shown on the display.
- Press the [ENTER] button.
- Use ▼ and ▲ button to choose “[no]” (normal) or “[YES]” (tilt inversion) mode.
- Once the right mode is shown on the display, press the [ENTER] button to select it.
- Press the [MENU] button for about 2 seconds to store the setting and to return to running mode.

**Led Display on/off [LEd]**

**Switches the LED display automatically off or not.**

- Press the [MENU] and ▲/▼ buttons until “[Led]” is shown on the display.
- Press the [ENTER] button.
- Use ▼ and ▲ buttons to select “[on]” (display always lit) or “[oFF]” (display dark when not used).
- Once the right mode is shown on the display, press the [ENTER] button to select it.
- Press the [MENU] button for about 2 seconds to store the setting and to return to running mode.

**Display Rotation [dISP]**

**Rotate the display over 180° (upside-down) or not.**

- Press the [MENU] and ▲/▼ buttons until the display shows “dISP”.
- Press the [ENTER] button.
- Use ▼ and ▲ buttons to select “[no]” (normal display always lit) or “[YES]” (display upside-down).
- Once the right position is shown on the display, press the [ENTER] button to select it.
- Press the [MENU] button for about 2 seconds to store the setting and to return to running mode.

**Auto Test [tEst]**

**Used to activate the internal “self-test” program which checks all possibilities of the unit.**

- Press the [MENU] and ▲/▼ buttons until the display shows “[tEst]”.
- Press the [ENTER] button to start the internal self-test program.
- To go back to the functions press the [MENU] button for about 2 seconds.

**Temperature inside the unit [tEMP]**

**Used to show the temperature inside the unit**

- Press the [MENU] and ▲/▼ buttons until the display shows “[tEMP]”.
- Press the [ENTER] button to show the internal LED temperature of the unit on the display.
- To go back to the functions press the [MENU] button again.

If you want to go back to normal running mode: press the [MENU] button for about 2 seconds.

**Fixture Time [FhrS]**

**Used to show the number of working hours of the unit.**

- Press the [MENU] and ▲/▼ buttons until the display shows “[FhrS]”.
- Press the [ENTER] button to show the number of working hours in the display.
- To go back to the functions press the [MENU] button.

**Reset [rEst]**

**Used to force a reset of the unit.**

- Press the [MENU] and ▲/▼ buttons until the display shows “rEst”.
- Press the [ENTER] button to reset the unit.

**REMARK:** also check the chapter about the DMX-channel configuration of the unit to find out how you can force a reset by DMX.

**OFFSET MENU:**

**Used to adjust the home position of several functions: offset parameters for PAN, TILT, COLORS, GOBOS and light output.**

If you're not already in the setup menu, just press the [MENU] button shortly to enter the setup menu.

- Now press the [ENTER] button for about 2 seconds to go into offset mode.
- Use ▼ and ▲ buttons to select the function you want to adjust : [PAN], [TILT], [Colo], [Gobo] and [5Ch]
  - [EPAN] : adjustable from -127 to 127
  - [ETILT] : adjustable from -127 to 127
  - [Colo] : adjustable from -127 to 127
  - [Gobo] : adjustable from -127 to 127
  - [5Ch] : adjustable from 128 to 255 (is light output)
- Press the [ENTER] button.
- Use ▼ and ▲ buttons to adjust the home position
- Press the [ENTER] button to select your setting.
- Press the [MENU] button for about 2 seconds to store the setting and to return to running mode.



# ELECTRICAL INSTALLATION + ADDRESSING

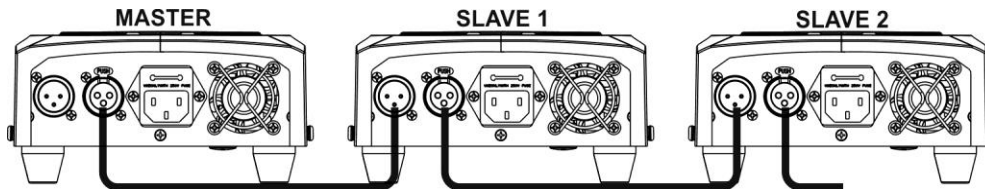
**⚠ Important:** The electrical installation should be carried out by qualified personal only, according to the regulations for electrical and mechanical safety in your country.

## Electrical installation for 1 standalone unit:

- Just insert the mains cable. The unit starts working immediately in stand-alone mode.
- Remark: if there's no output, please make sure to set the blackout mode [BLMd] of the projector to "no" and sound sensitivity [SEnS] to a value over 50 (see previous chapter).*

## Electrical installation for two or more units in master/slave:

In this mode the units will show a synchronized show, working to the rhythm of the beat.

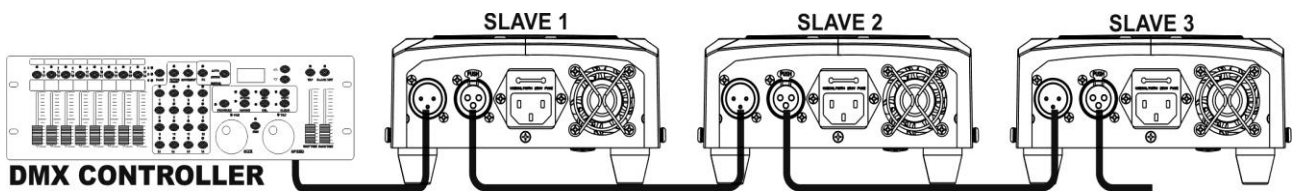
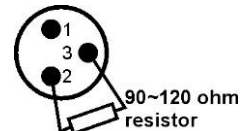


- Connect the units together using good quality balanced microphone cables. The first unit in the chain has to be configured as the master, the other units as slave1 or slave2.
- Make sure that all units are connected to the mains.
- Done!

*Remark: if there's no output, please make sure to set the blackout mode [BLMd] of the MASTER projector to "no" and sound sensitivity [SEnS] to a value over 50 (see previous chapter).*

## Electrical installation in DMX-mode:

- The DMX-protocol is a widely used high speed signal to control intelligent light equipment. You need to "daisy chain" your DMX controller and all the connected units with a good quality balanced cable.
- Both XLR-3pin and XLR-5pin connectors are used, however XLR-3pin is more popular because these cables are compatible with balanced audio cables.  
Pin layout XLR-3pin: Pin1 = GND ~ Pin2 = Negative signal (-) ~ Pin3 = Positive signal (+)  
Pin layout XLR-5pin: Pin1 = GND ~ Pin2 = Negative signal (-) ~ Pin3 = Positive signal (+) ~ Pins4+5 not used.
- To prevent strange behavior of the light effects, due to interferences, you must use a 90Ω to 120Ω terminator at the end of the chain. Never use Y-splitter cables, this simply won't work!
- Make sure that all units are connected to the mains.
- Each light effect in the chain needs to have its proper starting address so it knows which commands from the controller it has to decode. In the next section you will learn how to set the DMX addresses.



## HOW TO SET THE RIGHT STARTING ADDRESS:

Refer to the previous chapter (DMX Address [Addr]) to learn how to set the starting address on this unit. The starting address of each unit is very important. Unfortunately it is impossible to tell you in this user manual which starting addresses you have to set because this completely depends on the controller you will use... So please refer to the user manual of your DMX-controller to find out which starting addresses you must set.

**DMX-CONFIGURATION OF THE CLUBSPOT IN 5, 9 AND 11CH MODE:**

5CH Mode :

<b>DMX Channel</b>	<b>DMX-value</b>	<b>function</b>	<b>remarks</b>
<b>1</b>	000-007	Standby	
	008-255	Dimmer 0 - 100%	
<b>2</b>	000-007	No function	
	008-131	Strobe (slow - fast)	
	132-139	Full on	
	140-181	Close-open	<b>Fast -&gt; slow</b>
	182-189	Full on	
	190-231	Open-close	<b>Fast -&gt; slow</b>
	232-239	Full on	
	240-247	Random strobe	
	248-255	Full on	
	<b>3</b>	000-007	No function
008-037		Colors	<b>Red</b>
038-067			<b>Green</b>
068-097			<b>Blue (dark)</b>
098-127			<b>Yellow</b>
128-157			<b>Orange</b>
158-187			<b>Blue</b>
188-217			<b>Purple</b>
218-247			<b>White</b>
248-255		Rainbow	<b>Fast</b>
<b>4</b>	000-007	No function	<b>Open (white)</b>
	008-037	Gobos	<b>Gobo 1</b>
	038-067		<b>Gobo 2</b>
	068-097		<b>Gobo 3</b>
	098-127		<b>Gobo 4</b>
	128-157		<b>Gobo 5</b>
	158-187		<b>Gobo 6</b>
	188-217		<b>Gobo 7</b>
	218-247		<b>Open (white)</b>
	248-255	Rainbow	<b>Fast</b>
<b>5</b>	000-007	HOLD (FREEZE)	
	008-255		<b>AUTOMATIC PROGRAMS PAN/TILT</b>

9CH Mode :

<b>DMX Channel</b>	<b>DMX-value</b>	<b>function</b>	<b>remarks</b>
<b>1</b>	000-255	Pan	
<b>2</b>	000-255	Tilt	

<b>3</b>	000-255	Pan/Tilt Speed	
<b>4</b>	000-255	Dimmer 0 - 100%	
<b>5</b>	000-007	No function	
	008-131	Strobe (slow - fast)	
	132-139	Full on	
	140-181	Close-open	<b>Fast -&gt; slow</b>
	182-189	Full on	
	190-231	Open-close	<b>Fast -&gt; slow</b>
	232-239	Full on	
	240-247	Random strobe	
	248-255	Full on	
<b>6</b>	000-007	No function	<b>Open (white)</b>
	008-015	Colors	<b>Red</b>
	016-023		<b>Green</b>
	024-031		<b>Blue (dark)</b>
	032-039		<b>Yellow</b>
	040-047		<b>Orange</b>
	048-055		<b>Blue</b>
	056-063		<b>Purple</b>
	064-071	Split colors	<b>White/red</b>
	072-079		<b>Red/green</b>
	080-087		<b>Green/blue</b>
	088-095		<b>Blue/yellow</b>
	096-103		<b>Yellow/orange</b>
	104-111		<b>Orange/blue</b>
	112-119		<b>Blue/purple</b>
	120-127		<b>Purple/white</b>
	128-191	Rainbow	<b>Slow -&gt; fast</b>
	192-255	Rainbow reverse	<b>Slow -&gt; fast</b>
<b>7</b>	000-007	Gobo	<b>Open (white)</b>
	008-015		<b>Gobo 1</b>
	016-023		<b>Gobo 2</b>
	024-031		<b>Gobo 3</b>
	032-039		<b>Gobo 4</b>
	040-047		<b>Gobo 5</b>
	048-055		<b>Gobo 6</b>
	056-063		<b>Gobo 7</b>
	064-071	Shaking gobos	<b>Shaking open (white) slow-&gt;fast</b>
	072-079		<b>Shaking gobo 1 (slow-&gt;fast)</b>
	080-087		<b>Shaking gobo 2 (slow-&gt;fast)</b>
	088-095		<b>Shaking gobo 3 (slow-&gt;fast)</b>
	096-103		<b>Shaking gobo 4 (slow-&gt;fast)</b>
	104-111		<b>Shaking gobo 5 (slow-&gt;fast)</b>
	112-119		<b>Shaking gobo 6 (slow-&gt;fast)</b>
	120-127		<b>Shaking gobo 7 (slow-&gt;fast)</b>

	128-191	Rainbow	Slow -> fast
	192-255	Rainbow reverse	Slow -> fast
<b>8</b>	000-127	No function	Open (white)
	128-255	Programs	Sound controlled
<b>9</b>	000-240	No function	
	241-255	RESET	Reset fixture (after 3s)

11CH Mode :

<b>DMX Channel</b>	<b>DMX-value</b>	<b>function</b>	<b>remarks</b>
<b>1</b>	000-255	Pan	
<b>2</b>	000-255	Pan fine	
<b>3</b>	000-255	Tilt	
<b>4</b>	000-255	Tilt fine	
<b>5</b>	000-255	Pan/Tilt Speed	
<b>6</b>	000-255	Dimmer 0 - 100%	
<b>7</b>	000-007	No function	
	008-131	Strobe (slow - fast)	
	132-139	Full on	
	140-181	Close-open	Fast -> slow
	182-189	Full on	
	190-231	Open-close	Fast -> slow
	232-239	Full on	
	240-247	Random strobe	
	248-255	Full on	
<b>8</b>	000-007	No function	Open (white)
	008-015	Colors	Red
	016-023		Green
	024-031		Blue (dark)
	032-039		Yellow
	040-047		Orange
	048-055		Blue
	056-063		Purple
	064-071	Split colors	White/red
	072-079		Red/green
	080-087		Green/blue
	088-095		Blue/yellow
	096-103		Yellow/orange
	104-111		Orange/blue
	112-119		Blue/purple
	120-127		Purple/white
	128-191	Rainbow	Slow -> fast
	192-255	Rainbow reverse	Slow -> fast
<b>9</b>	000-007	Gobo	Open (white)
	008-015		Gobo 1

	016-023		<b>Gobo 2</b>
	024-031		<b>Gobo 3</b>
	032-039		<b>Gobo 4</b>
	039-047		<b>Gobo 5</b>
	048-055		<b>Gobo 6</b>
	056-063		<b>Gobo 7</b>
	064-071	Shaking gobos	<b>Shaking open (white) slow-&gt;fast</b>
	072-079		<b>Shaking gobo 1 (slow-&gt;fast)</b>
	080-087		<b>Shaking gobo 2 (slow-&gt;fast)</b>
	088-095		<b>Shaking gobo 3 (slow-&gt;fast)</b>
	096-103		<b>Shaking gobo 4 (slow-&gt;fast)</b>
	104-111		<b>Shaking gobo 5 (slow-&gt;fast)</b>
	112-119		<b>Shaking gobo 6 (slow-&gt;fast)</b>
	120-127		<b>Shaking gobo 7 (slow-&gt;fast)</b>
	128-191	Rainbow	<b>Slow -&gt; fast</b>
	192-255	Rainbow reverse	<b>Slow -&gt; fast</b>
<b>10</b>	000-127	No function	<b>Open (white)</b>
	128-255	Programs	<b>Sound controlled</b>
<b>11</b>	000-240	No function	
	241-255	RESET	<b>Reset fixture (after 3s)</b>

**MAINTENANCE**

- Make sure the area below the installation place is free from unwanted persons during servicing.
- Switch off the unit, unplug the mains cable and wait until the unit is cooled down.

**During inspection the following points should be checked:**

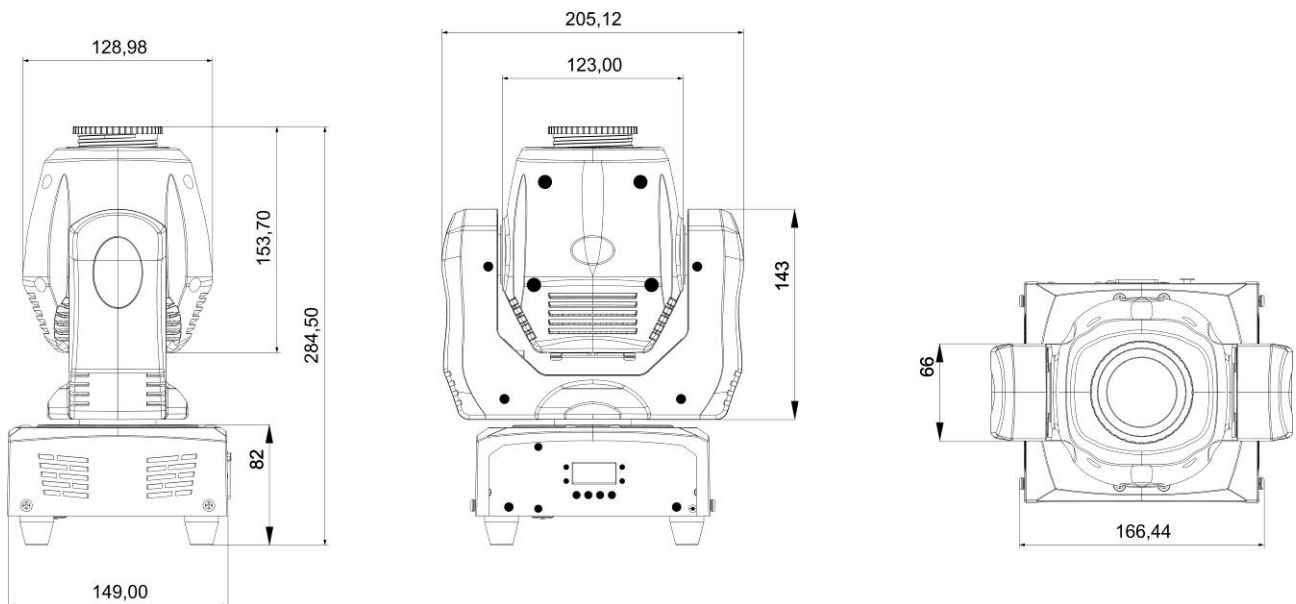
- All screws used for installing the device and any of its parts should be tightly fastened and may not be corroded.
- Housings, fixations and installations spots (ceiling, truss, suspensions) should be totally free from any deformation.
- When an optical lens is visibly damaged due to cracks or deep scratches, it must be replaced.
- The mains cables must be in impeccable condition and should be replaced immediately when even a small problem is detected.
- In order to protect the device from overheat the cooling fans (if any) and ventilation openings should be cleaned monthly.
- The interior of the device should be cleaned annually using a vacuum cleaner or air-jet.
- The cleaning of internal and external optical lenses and/or mirrors must be carried out periodically to optimize light output. Cleaning frequency depends on the environment in which the fixture operates: damp, smoky or particularly dirty surroundings can cause greater accumulation of dirt on the unit's optics.
  - Clean with a soft cloth using normal glass cleaning products.
  - Always dry the parts carefully.
  - Clean the external optics at least once every 30 days.
  - Clean the internal optics at least every 90 days.

**Attention: We strongly recommend internal cleaning to be carried out by qualified personnel!**

# SPECIFICATIONS

This unit is radio-interference suppressed. This product meets the requirements of the current European and national guidelines. Conformity has been established and the relevant statements and documents have been deposited by the manufacturer.

<b>Mains Input:</b>	AC 100 - 240V, 50/60Hz
<b>Power consumption:</b>	60 Watt (max)
<b>Fuse:</b>	250V 3.15A slow blow (20mm glass)
<b>Power connections:</b>	IEC14
<b>DMX connections:</b>	3pin-XLR male / female
<b>DMX channels used:</b>	5ch, 9ch, 11ch
<b>Lamp:</b>	35W LED Engine
<b>Beam Angle:</b>	12°
<b>Color wheel:</b>	7 colors + open
<b>GOBO wheel:</b>	7 fixed gobos
<b>IP-Rating:</b>	IP20
<b>Operating temperature (T<sub>a</sub>):</b>	0°C to 40°C
<b>Size:</b>	see drawings
<b>Weight:</b>	3,5 kg



Every information is subject to change without prior notice  
 You can download the latest version of this user manual on our website: [www.jb-systems.eu](http://www.jb-systems.eu)





**JB SYSTEMS**

## **MAILING LIST**

**EN: Subscribe today to our mailing list for the latest product news!**

**FR: Inscrivez-vous à notre liste de distribution si vous souhaitez suivre l'actualité de nos produits!**

**NL: Abonneer je vandaag nog op onze mailinglijst en ontvang ons laatste product nieuws!**

**DE: Abonnieren Sie unseren Newsletter und erhalten Sie aktuelle Produktinformationen!**

**ES: Suscríbete hoy a nuestra lista de correo para recibir las últimas noticias!**

**PT: Inscreva-se hoje na nossa mailing list para estar a par das últimas notícias!**

**[WWW.JB-SYSTEMS.EU](http://WWW.JB-SYSTEMS.EU)**

**Copyright © 2018 by BEGLEC NV**

t Hofveld 2C ~ B1702 Groot-Bijgaarden ~ Belgium

Reproduction or publication of the content in any manner, without express permission of the publisher, is prohibited.