



**ADMIRAL**  
STAGING

Original user manual

# MONO STAND



Manufacturer:  
**Rolight Theatertechniek B.V.**  
Josink Kolkweg 10  
7545 PR Enschede , The Netherlands  
Phone (+31)53 432 06 44  
info@rolight.nl  
www.rolight.nl

Distributed by ADMIRAL

VERSION 01  
May 2024  
SKU: TRHMSP50B

[www.admiralstaging.com](http://www.admiralstaging.com)

# CONTENTS

1. INTRODUCTION
2. SAFETY INSTRUCTIONS
3. SCOPE
4. LIMITATIONS OF USE
5. TECHNICAL DATA & LOADCHART
6. IDENTIFICATION
7. EXPLANATION OF THE STICKER
8. ASSEMBLY INSTRUCTIONS
9. DISASSEMBLY INSTRUCTIONS
10. STORAGE
11. MAINTENANCE & REJECTION CRITERIA
12. WARRANTY
13. MANUFACTURER'S DECLARATION OF CONFORMITY

## 1. INTRODUCTION

The ADMIRAL MONO STAND is intended to support loads when assembled on top of a baseplate. It is mostly used in temporary setups in the entertainment industry but can also be used for permanent setups in museums, event venues, theaters etc. as well.

ADMIRAL has endeavored to deliver the highest degree of accuracy possible. However continuous improvement of our products is ADMIRAL policy. Therefore product specifications are subject to change without notice.

Readers and users are encouraged to notify ADMIRAL of errors and send in suggestions for improvements. All communications will be carefully considered for future printings of this manual and changes to our products.

## 2. SAFETY INSTRUCTIONS

This user manual must be read and understood prior to assembly, setup and servicing. All people using and servicing the MONO STAND must familiarize themselves with the safety instructions and user guidelines written in this manual. This manual needs to be accessible for all users at all times.

### LEGEND



#### DANGER

**DANGER:** Indicates a hazardous situation which, if not avoided, will result in death or serious injury.

This signal word is to be limited to the most extreme situations.



#### WARNING

**WARNING:** Indicates a hazardous situation which, if not avoided, could result in death or serious injury.



#### CAUTION

**CAUTION:** Indicates a hazardous situation which, if not avoided, could result in minor or moderate injury.

#### NOTICE

**NOTICE:** Addresses practices not related to personal injury.

#### SAFETY INSTRUCTIONS

**SAFETY INSTRUCTIONS:** Is used for lists of steps, procedures or instructions that might otherwise substitute a DANGER, WARNING or CAUTION notification. Note that equivalent phrases, such as SAFE OPERATION PROCEDURES or SAFE SHUT DOWN PROCEDURE, can be used in place of the words "SAFETY INSTRUCTION".



## CAUTION

- The MONO STAND must be taken out of service immediately if, during use, repair or maintenance damages are discovered.
- Use solely instructed and/or trained personnel.
- Wear appropriate Personal Protective Equipment (PPE) such as hard hats and gloves during the installation.
- Make sure there is adequate amount of working light during the installation of the product.

### 3. SCOPE

The intended use of the MONO STAND is to support static loads of maximum 60 kg when assembled on top of a baseplate. The MONO STAND is intended for indoor use.

Position the MONO STAND only in the middle of the baseplate. Use either square or round tubes made of steel with S235 quality or aluminium with EN-AW-6060 T6 quality. The tubes should have a maximum length of 3 m. They should have a diameter ranging from 28 mm to 62 mm and a minimum wall thickness of 2 mm. Take into account the force created on the tube. Use an additional counterweight of at least 100 kg on the baseplate to prevent instability.

Loads can be lighting fixtures, video projectors, sound systems and/or equipment.

Any other way of use is considered to be a case of misuse. Solely the user is liable for any damage or injury resulting from such cases.



## WARNING

Check local legislation for the application of use.

### 4. LIMITATIONS OF USE



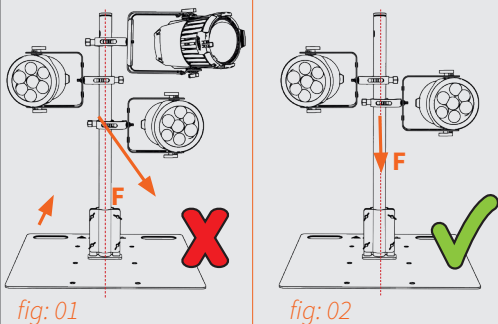
## WARNING

Exceeding the limitations of use can severely endanger the audience and users.

- The MONO STAND can be operated from -20° up to 60° Celsius.
- Do not exceed the maximum load on the product.
- Sound systems can be suspended but users must check regularly the integrity of the MONO STAND as severe vibrations could loosen bolts/knobs.
- The MONO STAND must be inspected by a competent person as often as required but with a minimum of 1 x per year. Records of these inspections must be kept.
- Inspect equipment before every use. A damaged MONO STAND shall be taken out of service.
- Outdoor use shall be approved by a competent person and might influence the load capacity. Do not expose the product to full rain or snow. Outdoor use is the sole responsibility of the operator.
- In case of use in the vicinity of saltwater, the product shall be rinsed regularly with fresh water to avoid corrosion.
- It is also imperative to observe the local accident prevention regulations and/or occupational health and safety regulations.
- The baseplate on which the MONO STAND is mounted must have a minimum weight of 25 kg, a minimal surface area of 70 cm x 70 cm and thickness of 6 mm.
- Use an additional counterweight of at least 100 kg on the baseplate to prevent instability.
- Position the MONO STAND as far in the middle of the baseplate as possible to maintain the best stability in the construction.
- The baseplate on which the MONO STAND is used might need to have electric potential bonding.
- Do not use the MONO STAND to guide currents for electric potential bonding.
- Make sure the MONO STAND, baseplate, tube and surface are dry and free of dirt.
- Use appropriate packaging to transport the products. e.g. a flightcase.
- Solely use by ADMIRAL approved parts to replace damaged or lost parts.
- Do not re-zinc steel components as they might be subject to hydrogen embrittlement.

## WARNING

An uneven load as shown below (fig 01) can create torsional forces and influences the stability of the MONO STAND setup.



## CAUTION

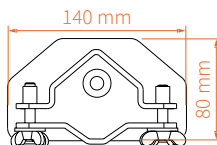
Do not throw the MONO STAND, as it might damage the product.

## WARNING

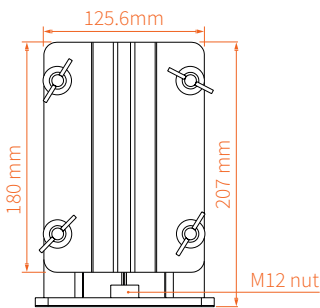
Only static loads are allowed.

## 5. TECHNICAL DATA

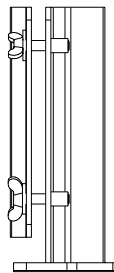
Top view



**MAX  
LOAD  
60kg**



Front view



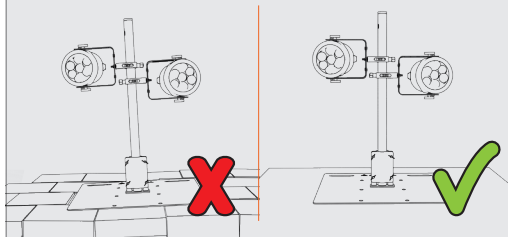
Side view

## WARNING

Use solely 8.8 quality bolts.

## WARNING

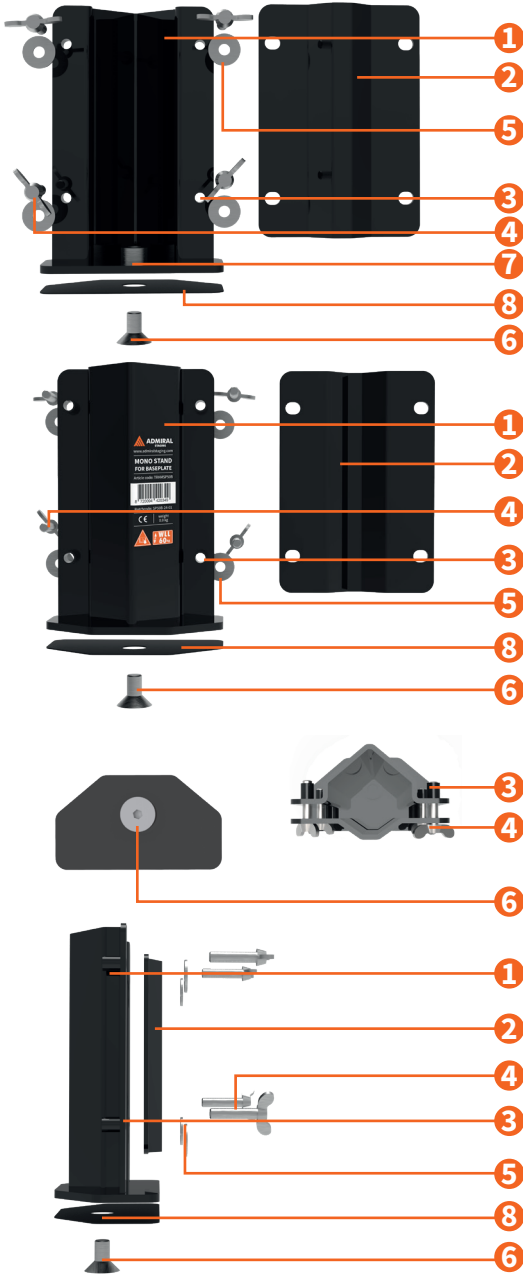
Only place the MONO STAND on a level surface. Make sure it is virtually level before attaching the loads.



## Technical data

Article code:	TRHMSP50B
EAN:	8720094420349
Max load:	60 kg
Material:	aluminium
Dimensions:	140 x 80 x 207 mm (L x W x H)
Weight:	0.9 kg
Colour:	black powder coated gloss 30% (RAL 9005)

## 6. IDENTIFICATION



### MONO STAND

- 1 Back plate
- 2 Front plate
- 3 Retraction nut
- 4 M8 Wing bolt 4x
- 5 M8 Washer 4x
- 6 M12 conical bolt 8.8 quality
- 7 M12 nut
- 8 Rubber plate

## 7. EXPLANATION OF THE STICKER



### MONO STAND sticker

- 1 Brand name
- 2 Product name
- 3 Article code
- 4 Barcode
- 5 EAN-code
- 6 Batch code\*
- 7 Weight
- 8 QR code to online manual
- 9 Max load

\*Based on the Batch code ADMIRAL is able to trace the date of manufacturing

# 8. ASSEMBLY INSTRUCTIONS

## WARNING



Inspect the MONO STAND before use. Make sure all components are in place and in good order. If damaged, mark the item clearly and take out of service\*.

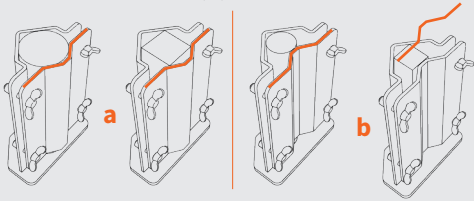
Make sure the MONO STAND, baseplate, tube and surface are dry and free from dirt.

\*See chapter 11 for further instructions!

## NOTICE

The positioning of the front plate depends on the diameter of the tube.

28 mm - 38 mm: (a)   
48 mm - 62 mm: (b) 

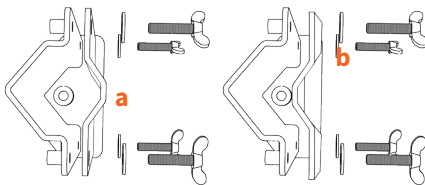


### Step 1

Assemble the MONO STAND before mounting onto the baseplate.

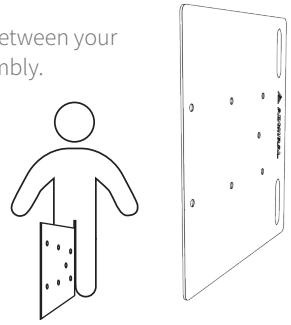
Use the M8 wing bolts and M8 washers to screw the front plate and back plate together.

See "NOTICE" above (a or b) for the right positioning of the front plate.



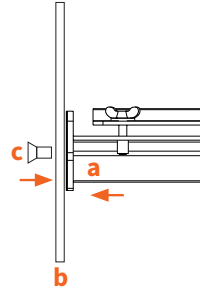
### Step 2

Put the baseplate between your legs for easier assembly.



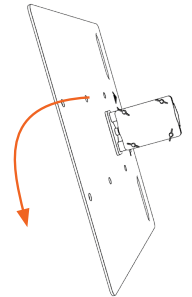
### Step 3

Mount the MONO STAND (a) onto the baseplate (b) by using a conical M12 bolt (c), tighten with 50Nm (use a socket wrench).



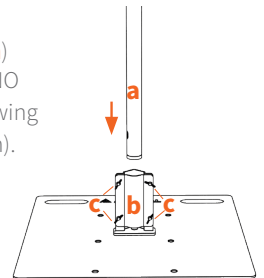
### Step 4

Place the baseplate carefully back on the ground.



### Step 5

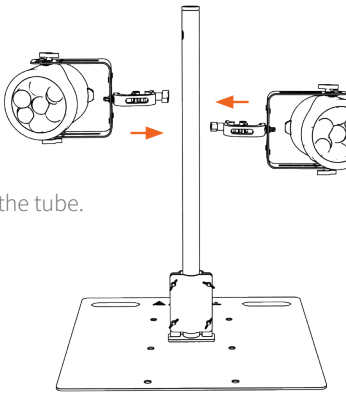
Mount the desired tube (a) in the opening of the MONO STAND (b). Tighten the 4 wing bolts (c) hand tight (20Nm).



## 9. DISASSEMBLY INSTRUCTIONS

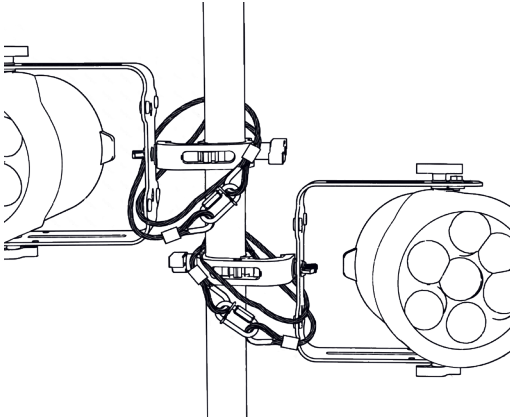
### Step 6

Attach a load to the tube.



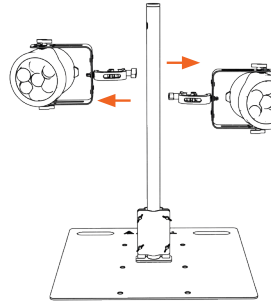
### Step 7

Secure the load with a safety cable.



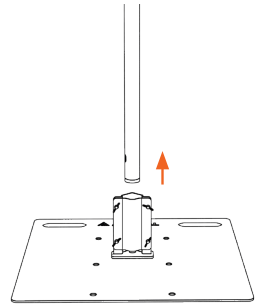
### Step 1

Remove safety cables and attached loads.



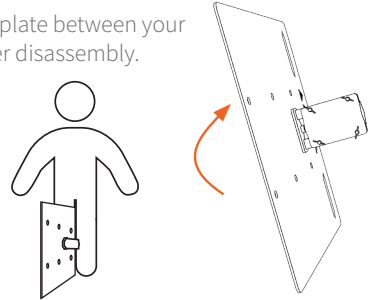
### Step 2

Remove tube from the MONO STAND.



### Step 3

Put the baseplate between your legs for easier disassembly.

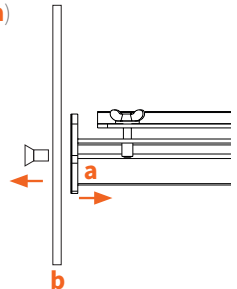


### WARNING

The rubber plate prevents the MONO STAND from unscrewing from the baseplate. If the rubber plate is damaged or missing, it should be replaced.

### Step 4

Remove the MONO STAND (a) from the baseplate (b).



## 10. STORAGE

The MONO STAND must be stored in a dry, non-aggressive environment.

- Make sure the parts cannot bend.
- Avoid vibrations during transport. Rubbing parts can cause excessive wear and tear.

## 11. MAINTENANCE & REJECTION CRITERIA

### SAFETY INSTRUCTIONS

The MONO STAND hardly needs any maintenance under normal use and environmental circumstances. For safety reasons however, all parts must be checked regularly for dirt, damages, loss and corrosion.

The MONO STAND shall be checked in compliance with the local law by a competent person. Checking shall take place as often as required but with a minimum of 1x per year. In case of doubt contact ADMIRAL.



### WARNING

If damaged, mark the item clearly and take it out of service.



### CAUTION

When replacing parts, only use genuine ADMIRAL components.

- Check all components for damages like cracks, deformations, scratches and corrosion. Damaged and corroded parts shall be rejected and thrown away.
- In general, scratches > 10% of the wall thickness mean the product needs to be rejected from use.
- In general, deformations > 10% of a straight line from the outer surface mean the product needs to be rejected from use.

- Remove all sharp and rough feeling edges and surfaces by using sand paper or a file.
- Check welds for cracks; if welds are cracked the product needs to be rejected from use.
- If the rubber plate under MONO STAND is damaged contact ADMIRAL for replacement parts.

## 12. WARRANTY

- For a period of 24 months we will repair, free of charge, any damage attributable to faulty materials or workmanship under the condition that the equipment is forwarded, freight paid, to our warehouse or one of the ADMIRAL distributors' warehouses.
- The warranty-period begins with the day of the delivery, proven by a purchase receipt like an invoice or delivery note or their copies.
- The warranty does not cover damage due to transport, negligent handling, overloading the equipment or parts subject to normal wear and tear signs. Nor damages that originate from a case of misuse because of nonobservance of the safety regulations in this instruction manual.
- The warranty will be invalid when other parts than the original ADMIRAL parts have been used or modifications of our design have been made by third parties.
- Warranty repairs do not renew nor extend the warranty-period.
- In case of a claim that falls under the warranty, e.g. a malfunction or spare part requirements, please contact your point of sale or ADMIRAL.
- The manufacturer is not liable for indirect consequential damage and financial loss.
- The manufacturer shall not be liable for any changes made to the MONO STAND parts nor for any damage resulting from such changes.



# 13. MANUFACTURER'S DECLARATION OF CONFORMITY



## MANUFACTURER'S DECLARATION OF CONFORMITY

Rolight Theatertechniek

Josink Kolkweg 10

7545 PR Enschede

The Netherlands

Herewith declares that:

### **ADMIRAL "MONO STAND"; Article code TRHMSP50B**

The following harmonized standards have been applied (or parts/clauses of):

- EN1990 Eurocode Basis of structural design
- EN13814 :2019 Safety of amusement rides and amusement devices - Part 1: Design and manufacture
- EN1999 all parts Design of aluminium structures
- EN1993 Eurocode 3 Design of steel structures

Enschede , The Netherlands 16-May-2024

Ms. E. Dijk

Owner Rolight Theatertechniek b.v.



**Rolight**

