

COMPACT M 10

TWO-WAY PROFESSIONAL SPEAKER

DESCRIPTION

COMPACT M 10 is a multipurpose two-way full-range speaker system, suitable for a wide range of applications. Its balanced sound is a big asset in near-field applications for the best intelligibility. The M 10 features high sensitivity, typical of professional audio cabinets thanks to the use of oversized magnets and a HI-FI sound quality, with smooth and wide frequency response, thanks to the wave-guided compression driver. The SPL level of low-distortion audio the M 10 can provide goes far beyond expectations of such a compact solution. The elegant and compact design with accurate finishing makes M 10 suitable for almost any environment, even with architectural constraints. Optional mounting accessories allow using M 10 on wall or ceiling installations.



FEATURES

- 300 W RMS power handling
- 128 dB max SPL
- 60 ÷ 20000 Hz frequency range
- 90° x 70° constant directivity coverage angle
- 1 x 10" high power woofer
- 1 x 1.4" voice coil compression driver
- High quality plywood cabinet
- Steel front grille with clothing
- Installation points available on rear, top and bottom panels
- 4 pole EUROBLOCK connector (audio input and parallel link output)

TECHNICAL SPECIFICATIONS

Acoustical specifications	Frequency Response (-10dB)	60 Hz ÷ 20000 Hz
	Max SPL @ 1m	128 dB
	Horizontal coverage angle	90°
	Vertical coverage angle	70°
	Directivity index Q	9
	System Sensitivity	98 dB
Power section	Amplification	Full Range
	Nominal Impedance	8 ohm
	Power Handling	300 W
	Peak Power Handling	1200 W PEAK
	Protections	Dynamic active mosfet
	Crossover Frequencies	1800 Hz
	Recommended Amplifiers	XPS 16K, XPS 16KD, QPS 10K, QPS 6.0K, IPS 5.0K, IPS 2.5K, IPS 1.5K, DMA 504
Transducers	Compression Driver	1 x 1.0", 1.4" v.c
	Woofers	1 x 10", 2.5" v.c
Input/Output section	Input connectors	Euroblock
	Output connectors	Euroblock
Standard compliance	Safety agency	CE compliant
Physical specifications	Hardware	8 x M8, 8 x M10
	Color	Black - RAL 9005, White - RAL 9003
Size	Height	510 mm / 20.08 inches
	Width	295 mm / 11.61 inches
	Depth	325 mm / 12.8 inches
	Weight	17 kg / 37.48 lbs
Shipping information	Package Height	545 mm / 21.46 inches
	Package Width	363 mm / 14.29 inches
	Package Depth	333 mm / 13.11 inches
	Package Weight	20 kg / 44.09 lbs

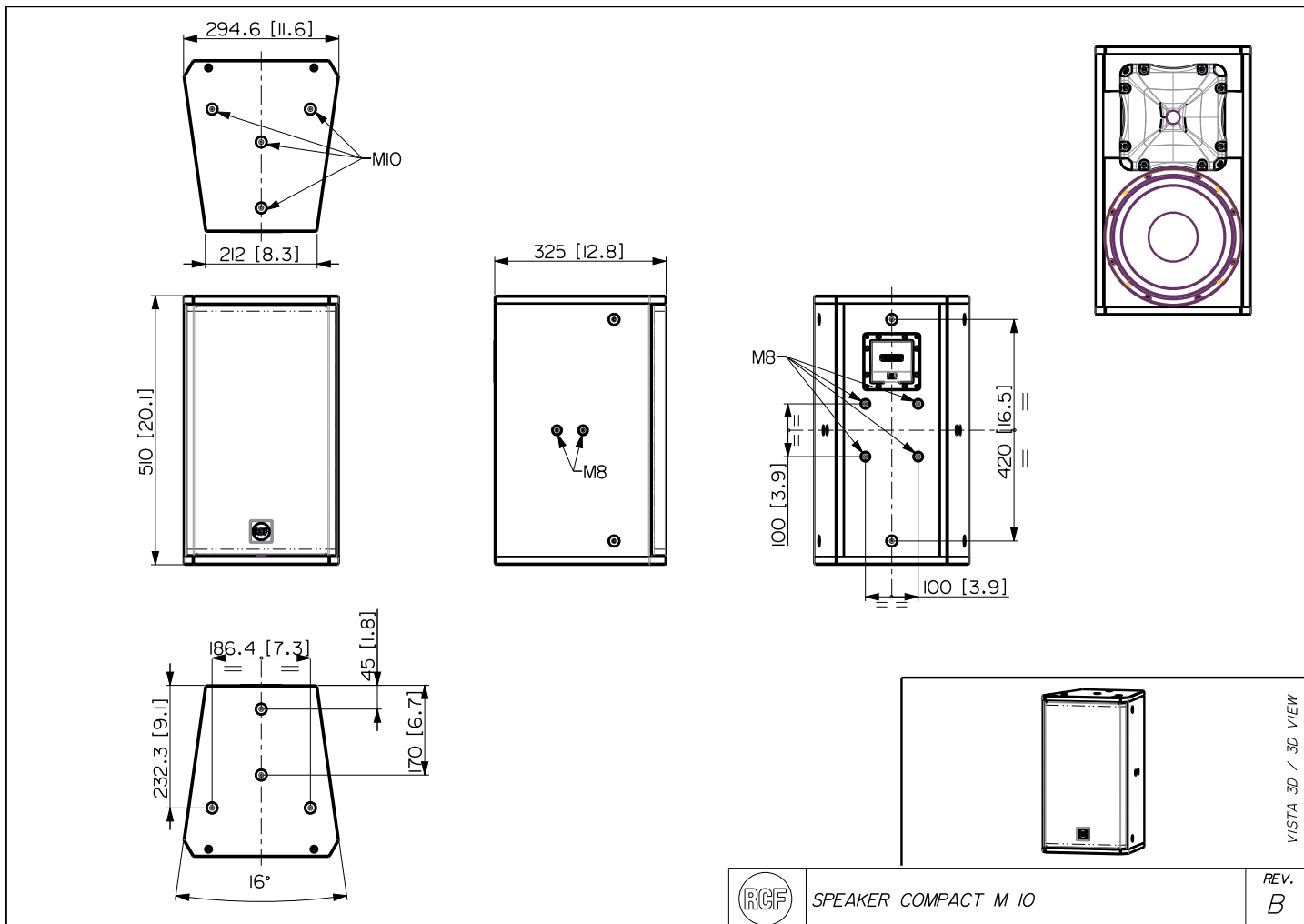
PART NUMBER

- **13000723**

COMPACT M 10 W
White - RAL 9003
EAN 8024530019358

- **13000595**

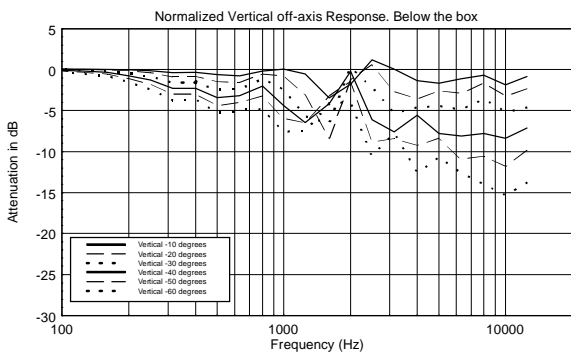
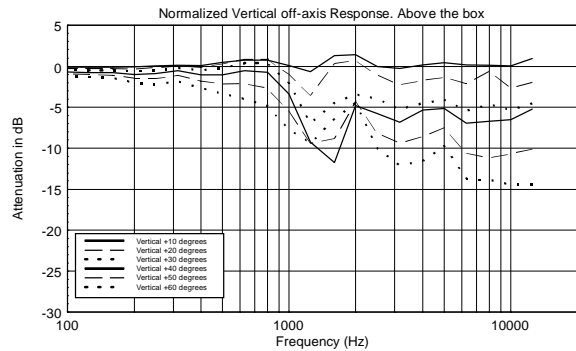
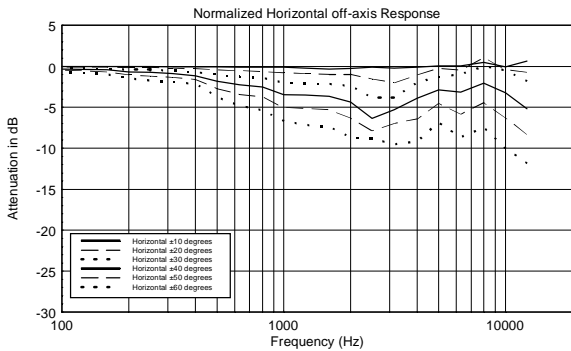
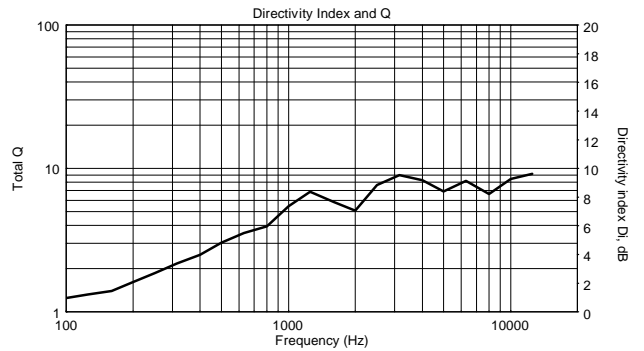
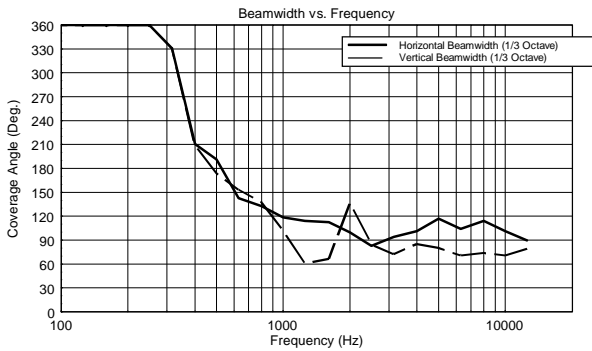
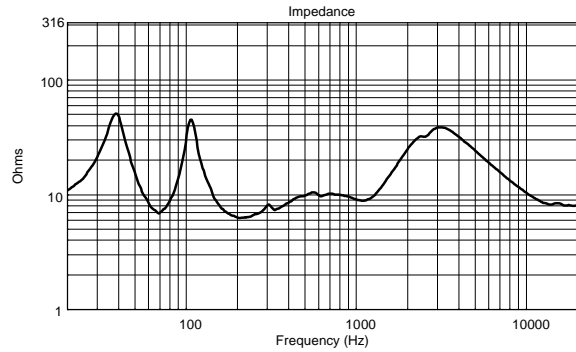
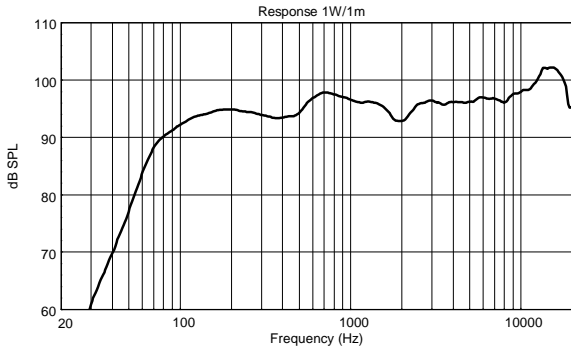
COMPACT M 10
Black - RAL 9005
EAN 8024530017804

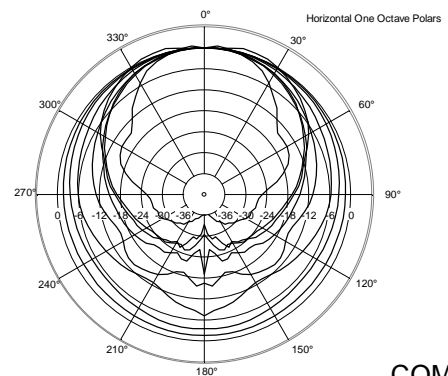
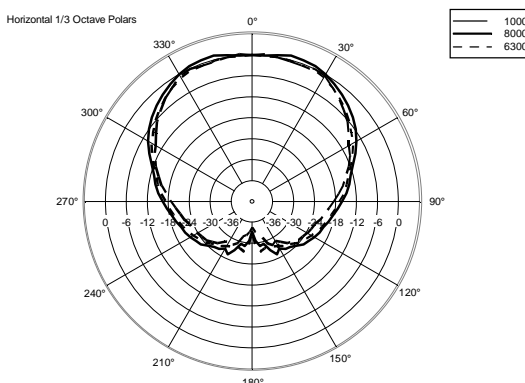
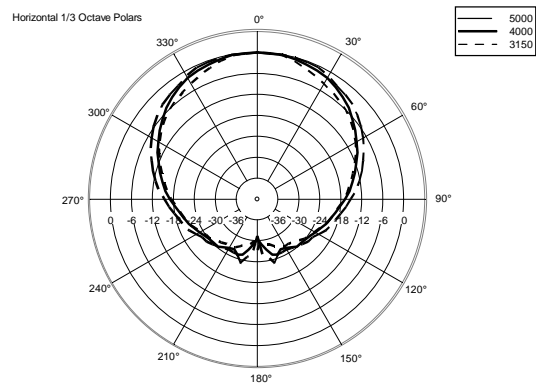
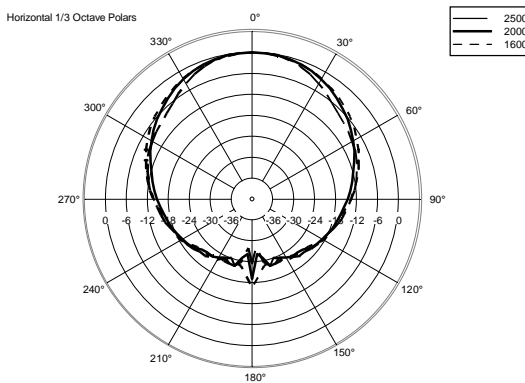
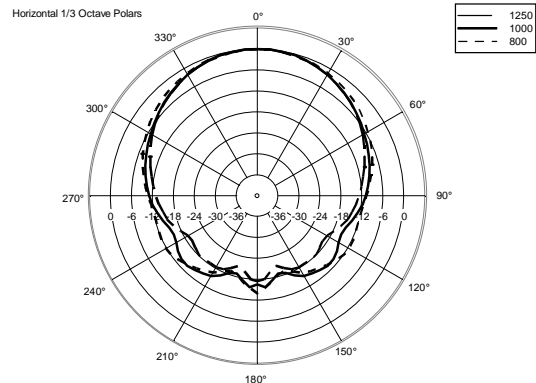
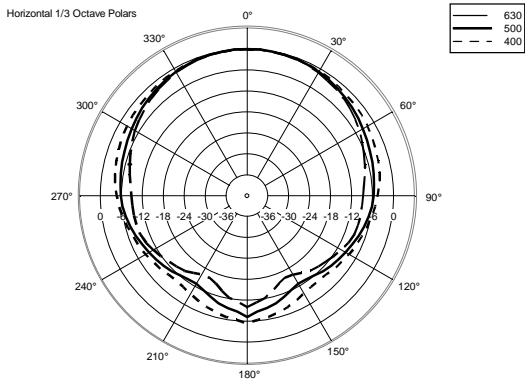
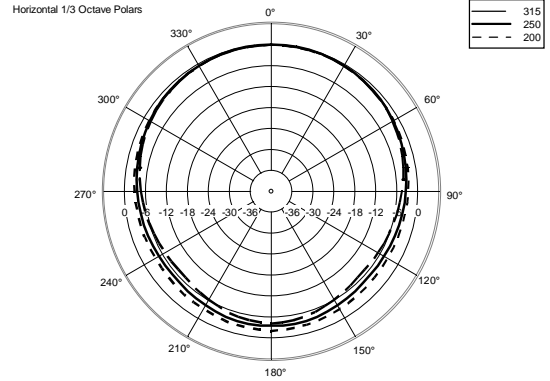
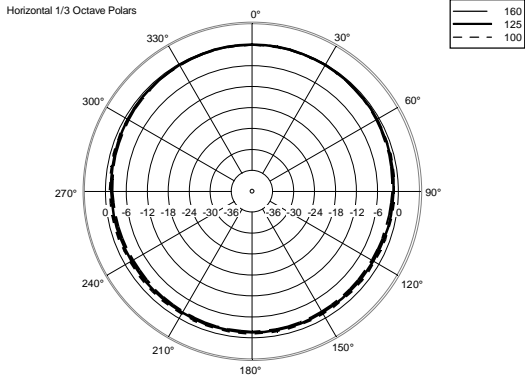


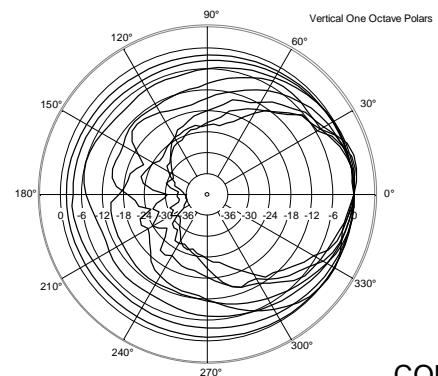
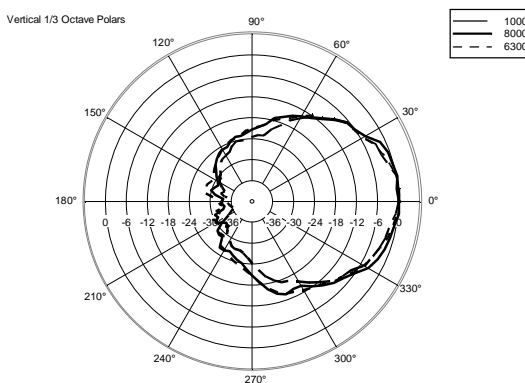
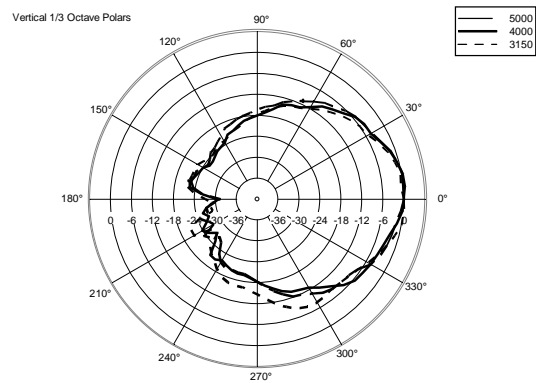
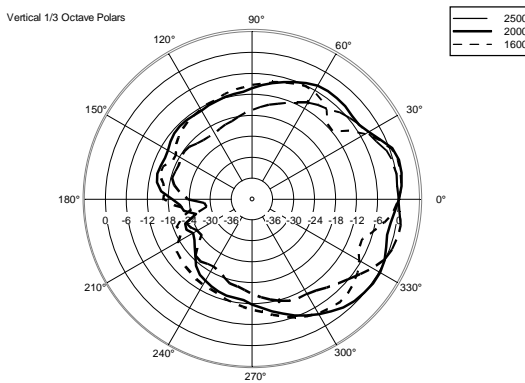
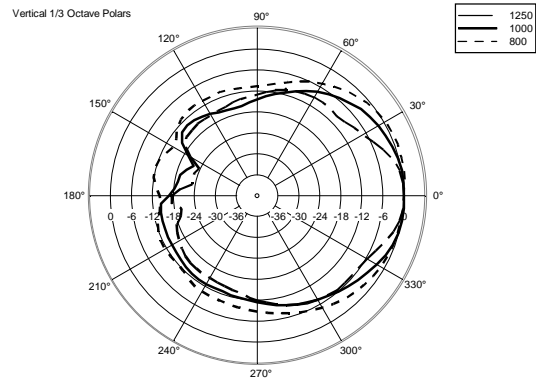
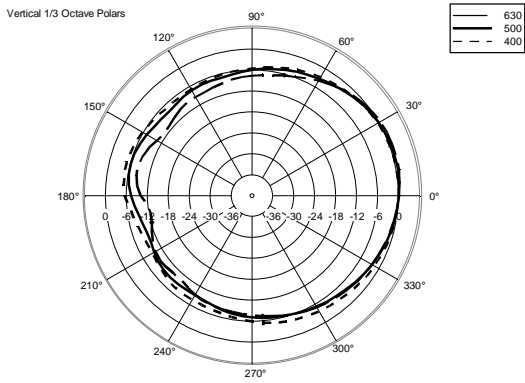
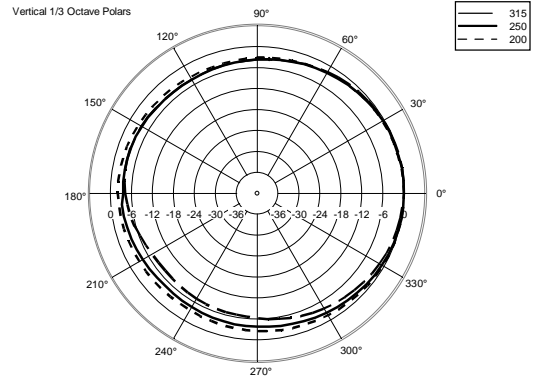
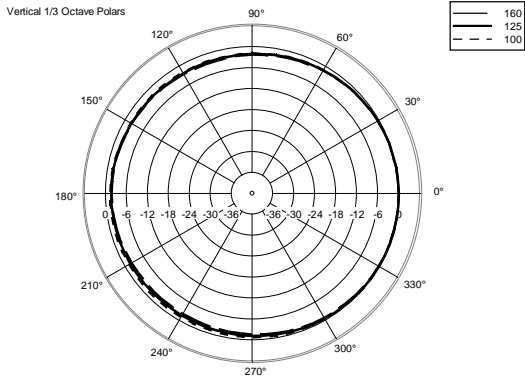
SPEAKER COMPACT M 10

REV.
B

VISTA 3D / 3D VIEW







ACCESSORIES



HORIZ. BRACKET H-BR 2X COMPACT M 10

PART NUMBER **13360444**
EAN: 8024530018276



HORIZ. BRACKET H-BR 2X COMPACT M 10 W

PART NUMBER **13360463**
EAN: 8024530019563



HORIZONTAL BRACKET H-BR 007 (PAIR)

PART NUMBER **13360551**
EAN: 8024530021641



HORIZONTAL BRACKET H-BR 007 W (PAIR)

PART NUMBER **13360604**
EAN: 8024530021658



PANEL PNL IN-OUT AMPHENOL

PART NUMBER **12399063**
EAN: 8024530020149



PANEL PNL IN-OUT SPEAKON

PART NUMBER **12399062**
EAN: 8024530018733



VERTICAL BRACKET V-BR 007 (PAIR)

PART NUMBER **13360552**
EAN: 8024530021726



VERTICAL BRACKET V-BR 007 W (PAIR)

PART NUMBER **13360606**
EAN: 8024530021733



VERTICAL BRACKET V-BR 2X COMPACT M 10

PART NUMBER **13360447**
EAN: 8024530018306



VERTICAL BRACKET V-BR 2X COMPACT M 10 W

PART NUMBER **13360466**
EAN: 8024530019587



WALL MOUNT BRACKET SWM-BR NC

PART NUMBER **13360199**
EAN: 8024530007355



A&E SPECIFICATIONS

The product shall be a multipurpose two-way full-range speaker, suitable for a wide range of applications, providing a balanced sound in near-field applications to get the best intelligibility.

It shall feature high sensitivity, typical of professional audio cabinets having oversized magnets and a Hi-Fi sound quality, with smooth and wide frequency response, thanks to a wave-guided compression driver.

Its design shall be elegant and compact with accurate finishing, suitable for almost any environment, even with architectural constraints.

Optional mounting accessories shall be available for wall or ceiling installations.
